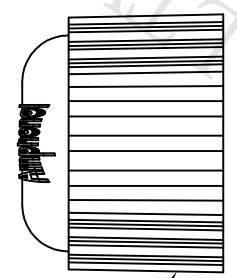
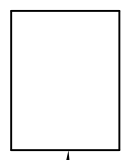


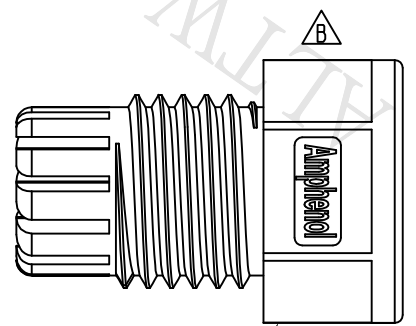
REV.	ECN NO.	DATE	SIGN	DESCRIPTION
B	LEN1480592	2014-08-11	Rita	Update Logo



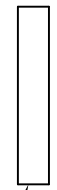
Sealing Nut (5)



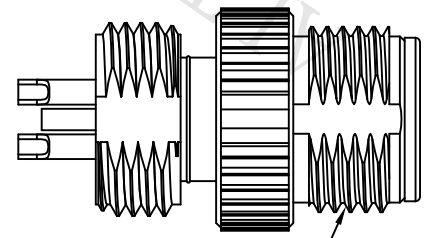
Gasket (4)



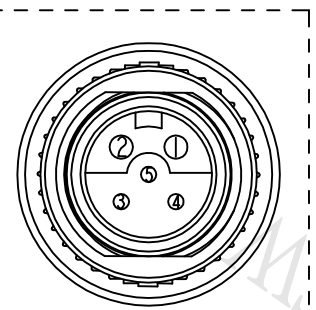
Clamp Ring (3)



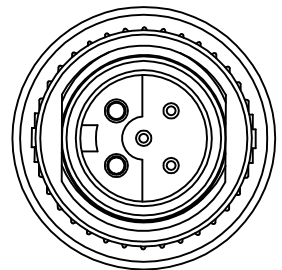
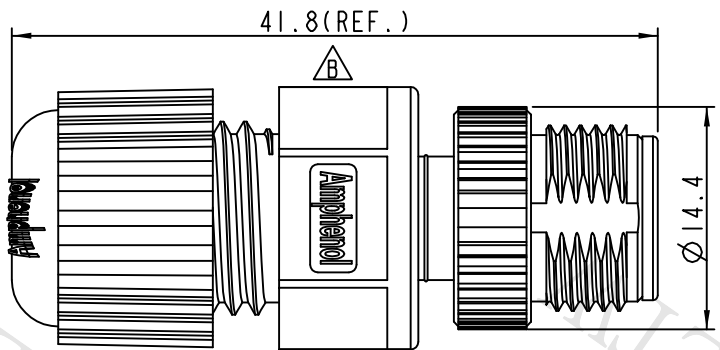
Gasket (2)



Connector (1)



Pin Assignments Front View



Conn.

Note:

- * (CC) Important Dimension.
- * Waterproof Rate: IP68
- * Housing: Black, Nylon+GF
- * Pin: Copper Alloy, Gold Plated
- * Nut: Zinc Alloy, Nickel Plated
- * Gasket: Black, EPDM
- * Clamp Ring: Black, Nylon
- * Sealing Nut: Black, Nylon
- * Seal: Black, EPDM
- * Seal For Cable OD: $\varnothing 4.5\text{mm} \sim \varnothing 6.5\text{mm}$

UNIT: mm TOLERANCE .X ±0.25 .XX ±0.1 .XXX ±0.05 ANGLES ±1°	TITLE M12 Conn, Assy Screw 5Pin M Conn. C Pin			Amphenol LTW 安費諾亮泰企業股份有限公司		ITEM NO 12-05BMIA-SL8001	DRAWN BY Rita	DATE 2014-08-11
	SCALE 2:1	SIZE A4	SHEET 1 OF 1			DWG NO 12-05BMIA-SL8001	CHECKED BY Kris	DATE 2014-08-11
	REV. B	WC-REV. A.3	(CC): Inspection item			CUSTOMER ALTW	APPROVED BY Wenmao	DATE 2014-08-11

THIS DOCUMENT IS SUBJECT TO CHANGE WITHOUT NOTICE. IT IS CONFIDENTIAL AND A PROPERTY OF Amphenol LTW. DISCLOSURE TO THIRD PARTY HAS TO BE AUTHORIZED BY Amphenol LTW.