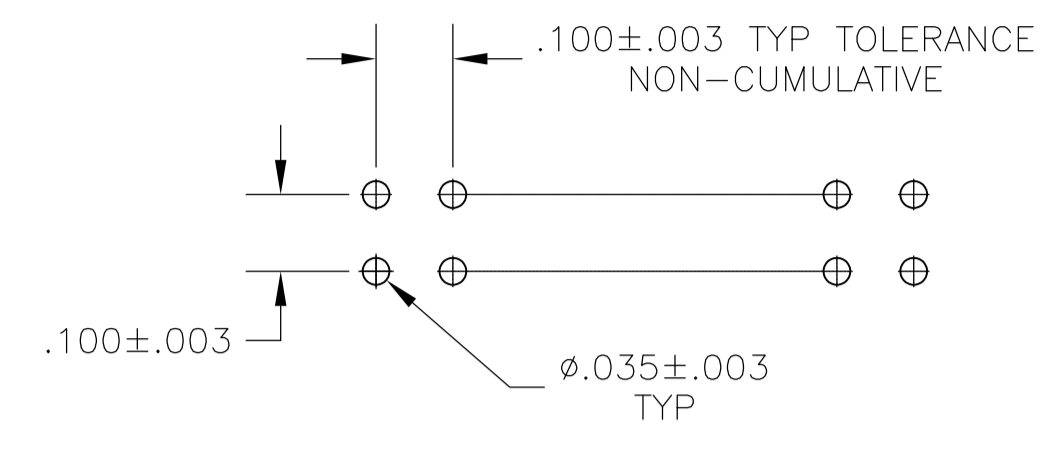
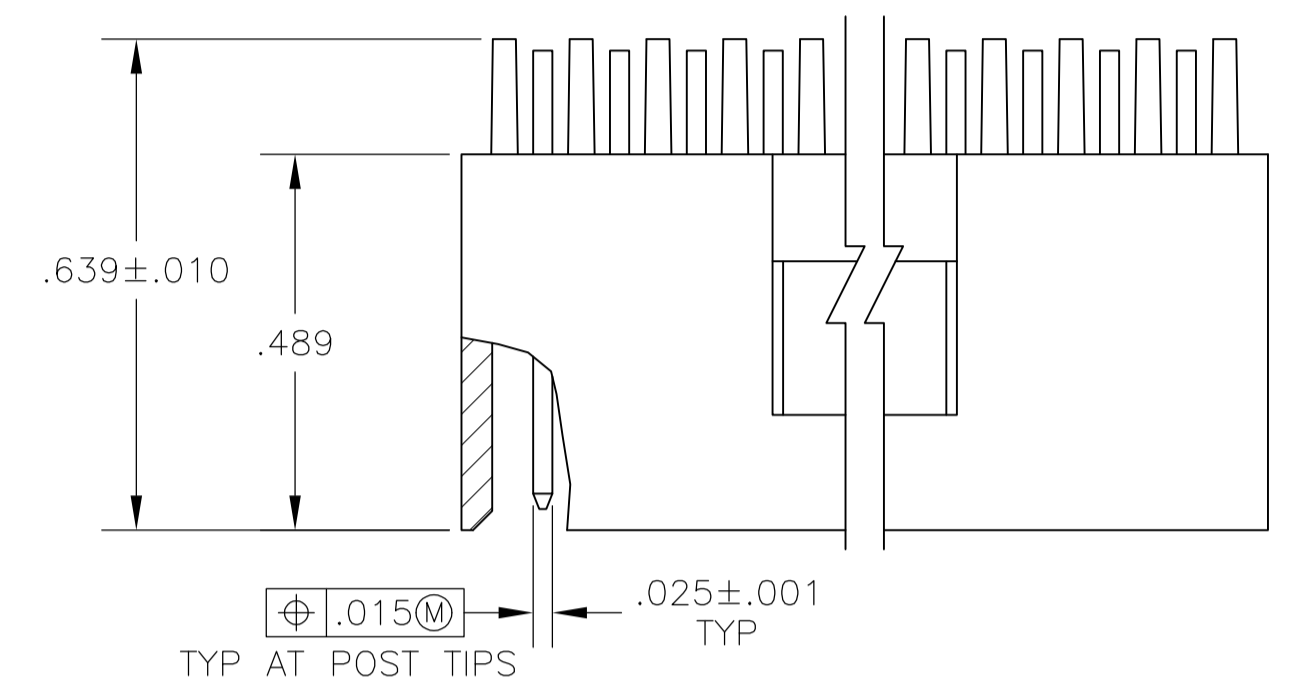
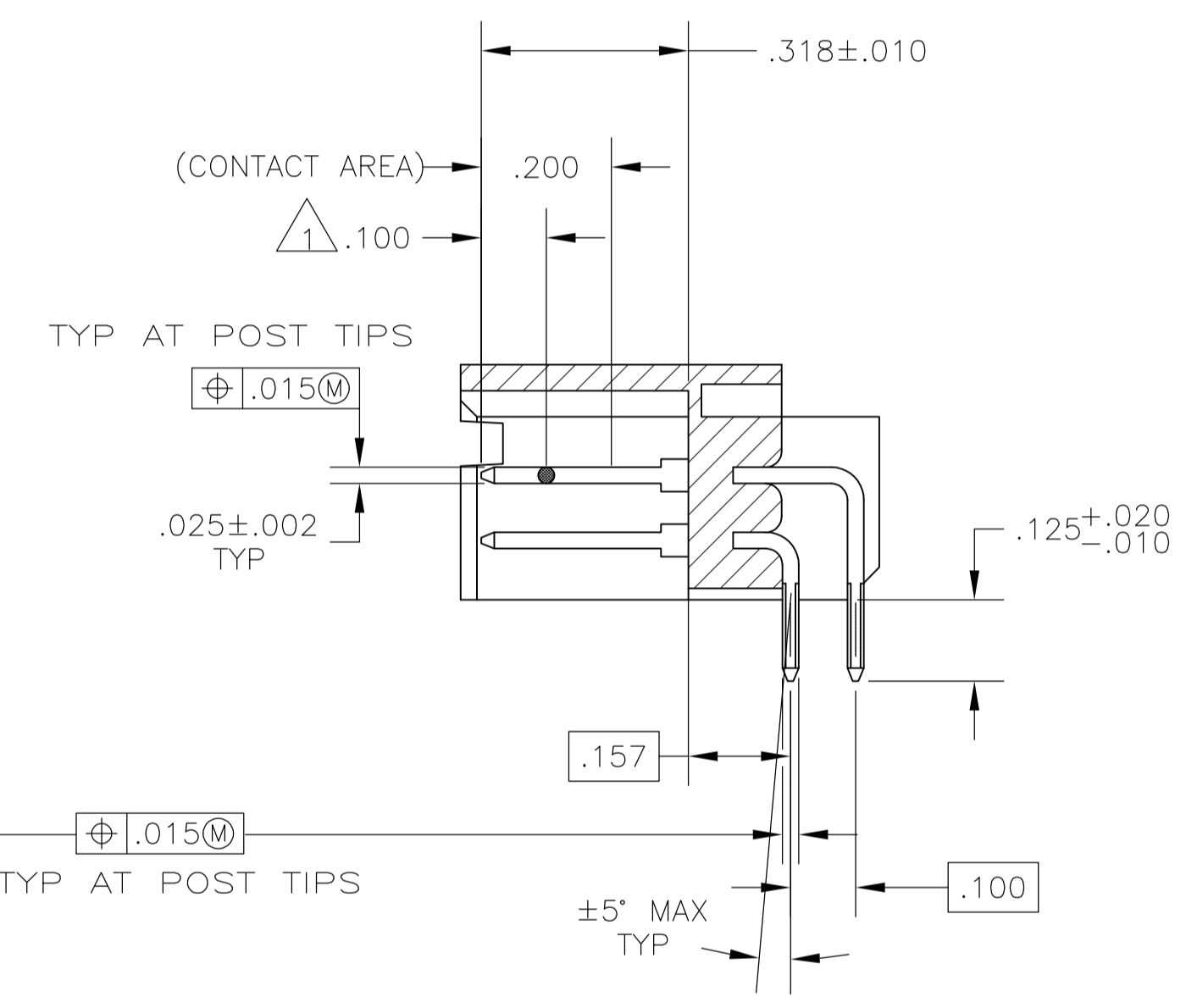
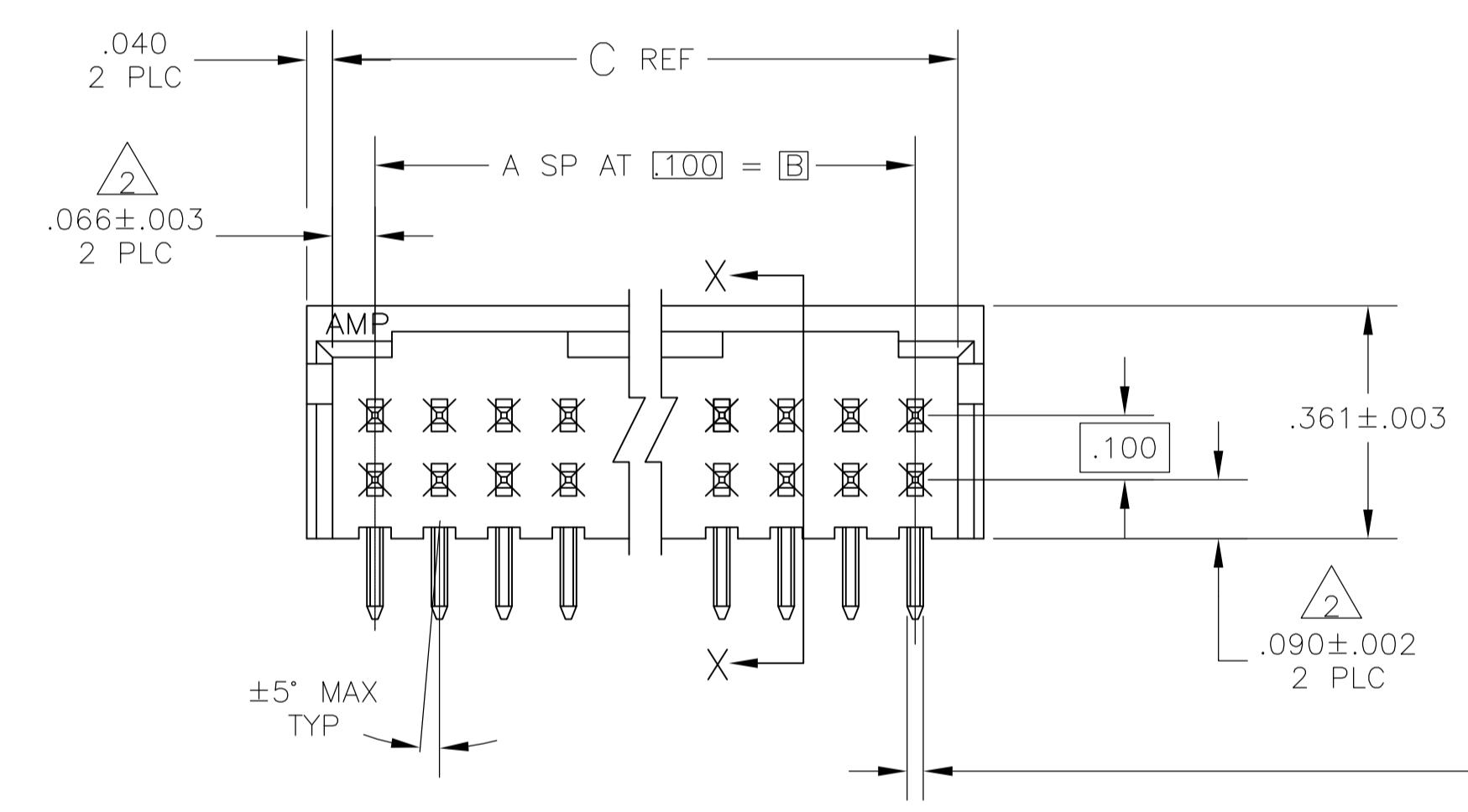


LOC	DIST	REVISIONS				
AD	00	REV	DESCRIPTION	DATE	BY	APPV
		K	EC 0G3C 0209 05	26APR05	BSV	JLG
		K1	REVISED PER ECO-09-020932	08SEP09	KK	AEG



RECOMMENDED HOLE LAYOUT



SECTION X-X

- 1 POINT OF MEASUREMENT FOR PLATING THICKNESS.
- 2 THE NOTED DIMENSION APPLIES AT THE INTERSECTION OF THE POST AND HOUSING
- 3 POSTS: .000015 GOLD IN CONTACT AREA, .000100-.000200 MATTE TIN-LEAD ON SOLDER TAIL, ALL OVER .000050 NICKEL.
- 4 POSTS: .000015 GOLD IN CONTACT AREA, .000100-.000200 MATTE TIN ON SOLDER TAIL, ALL OVER .000050 NICKEL.
- 5 OBSOLETE PARTS: OBSOLETE CIS STREAMLINING PER D.RENAUD/D.SINISI

REV	DESCRIPTION	DATE	BY	APPV	
1	3.032	2.900	29	60	7-102055-8
2	2.732	2.600	26	54	7-102055-5
3	2.532	2.400	24	50	7-102055-3
4	2.032	1.900	19	40	6-102055-8
5	1.732	1.600	16	34	6-102055-5
6	1.532	1.400	14	30	6-102055-3
7	1.232	1.100	11	24	6-102055-0
8	.932	.800	8	18	5-102055-8
9	.832	.700	7	16	5-102055-7
10	.732	.600	6	14	5-102055-6
11	.632	.500	5	12	5-102055-5
12	.532	.400	4	10	5-102055-4
13	.432	.300	3	8	5-102055-3
14	.332	.200	2	6	5-102055-2
15	1.032	.900	9	20	5-102055-1
16	3.732	3.600	36	74	3-102055-5
17	3.632	3.500	35	72	3-102055-4
18	3.532	3.400	34	70	3-102055-3
19	3.432	3.300	33	68	3-102055-2
20	3.332	3.200	32	66	3-102055-1
21	3.232	3.100	31	64	3-102055-0
22	3.132	3.000	30	62	2-102055-9
23	3.032	2.900	29	60	2-102055-8
24	2.932	2.800	28	58	2-102055-7
25	2.832	2.700	27	56	2-102055-6
26	2.732	2.600	26	54	2-102055-5
27	2.632	2.500	25	52	2-102055-4
28	2.532	2.400	24	50	2-102055-3
29	2.432	2.300	23	48	2-102055-2
30	2.332	2.200	22	46	2-102055-1
31	2.232	2.100	21	44	2-102055-0
32	2.132	2.000	20	42	1-102055-9
33	2.032	1.900	19	40	1-102055-8
34	1.932	1.800	18	38	1-102055-7
35	1.832	1.700	17	36	1-102055-6
36	1.732	1.600	16	34	1-102055-5
37	1.632	1.500	15	32	1-102055-4
38	1.532	1.400	14	30	1-102055-3
39	1.432	1.300	13	28	1-102055-2
40	1.332	1.200	12	26	1-102055-1
41	1.232	1.100	11	24	1-102055-0
42	1.132	1.000	10	22	102055-9
43	.932	.800	8	18	102055-8
44	.832	.700	7	16	102055-7
45	.732	.600	6	14	102055-6
46	.632	.500	5	12	102055-5
47	.532	.400	4	10	102055-4
48	.432	.300	3	8	102055-3
49	.332	.200	2	6	102055-2
50	1.032	.900	9	20	102055-1

SUPERCEDED BY 1-103164-1

PLATING	C	B	A	NO OF POSN	PART NUMBER

THIS DRAWING IS A CONTROLLED DOCUMENT.

DIMENSIONS: INCHES  
 TOLERANCES UNLESS OTHERWISE SPECIFIED:  
 0 PLC ± -  
 1 PLC ± -  
 2 PLC ± -  
 3 PLC ± .005  
 4 PLC ± -  
 ANGLES ± -

MATERIAL: HOUSING: PHOSPHOR BRONZE  
 FINISH: SEE TABLE  
 WEIGHT: -  
 CUSTOMER DRAWING

TYPICAL DRAWING NO: 100779  
 DRAWING NO: 102055  
 SCALE: 4:1  
 SHEET: 1 OF 1  
 REV: K1

Tyco Electronics Corporation  
 Harrisburg, Pa 17105-3608

NAME: R FLICKER  
 PRODUCT SPEC: -  
 APPLICATION SPEC: -  
 SIZE: A1  
 CAGE CODE: 102055

HEADLINE ASSY, MOD II, DBL ROW,  
 .100X.100 C/L, RIGHT ANGLE,  
 (3) SIDED SHROUD