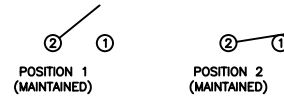


SCHEMATIC



SPECIFICATIONS

FUNCTION:
1P1T OFF-ON

RATINGS:
ANSI/UL 1054:
20A 125VAC [cURus]
16A 250VAC [cURus]
1/3HP 125/250VAC [cURus]
3/4HP 125/250VAC [cURus]

EN 61058-1:2002 and DIN/VDE 0630:2003-03 (40017440):
16(4)A 250V~ 1E4 μ T85/55 [ENEC10, VDE]
20(8)A 250V~ 1E4 μ T125/55 [ENEC10, VDE]
10(2)A 250V~ 5E4 μ T85/55 [ENEC10, VDE]

CONTACT RESISTANCE:
Initial: 20mΩ Max.

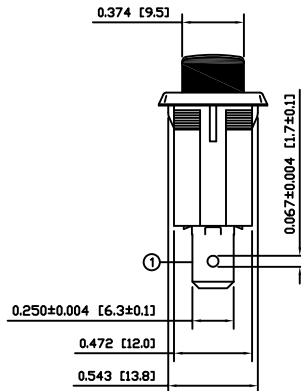
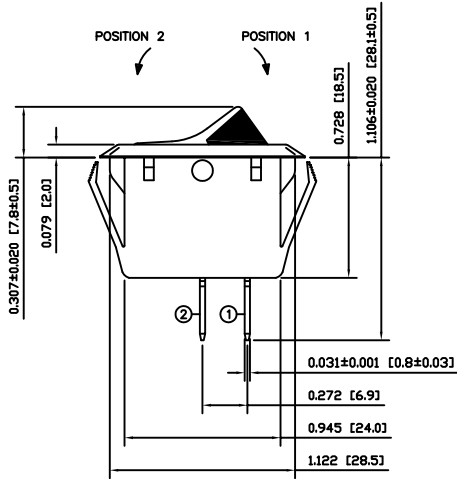
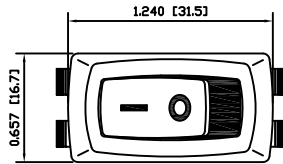
INSULATION RESISTANCE:
100MΩ Min. at 500VDC

DIELECTRIC STRENGTH:
1,000VAC for 1 Minute

ELECTRICAL LIFE:
6,000 Cycles [cURus]
10,000 Cycles [ENEC10, VDE: 16(4)A 250V~]
50,000 Cycles [ENEC10, VDE: 10(2)A 250V~]

TEMPERATURE:
Operating: -20°C to 105°C [cURus]
Operating: 0°C to 85°C [ENEC10, VDE: 16(4)A 250V~]
Operating: 0°C to 125°C [ENEC10, VDE: 20(8)A 250V~]

APPROVALS:



COLORS AND MARKINGS

BODY:
Black

ACTUATOR:
Black/Red

MARKINGS:
I/O Vertical (1)

MARKING COLOR:
Red

MATERIALS

BODY:
Polyamide 6/6 (PA66), UL94 V-2

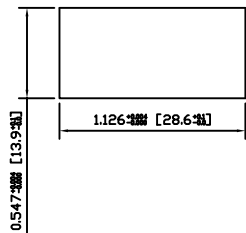
ACTUATOR:
Polyamide 6/6 (PA66), UL94 V-2

SPRING:
Steel

CONTACTS:
Silver Plated Copper

TERMINALS:
Silver Plated Copper
Silver Plated Brass

SUGGESTED PANEL CUTOUT



| | | | |
|----------------|------|----------|-----|
| ACTUATOR | A | 09/08/13 | CAB |
| BODY | B | 10/05/10 | CAB |
| COLORS | A | 09/08/13 | CAB |
| MATERIALS | A | 09/08/13 | CAB |
| SPECIFICATIONS | B | 10/01/27 | CAB |
| REFERENCE | REV. | DATE | BY |

THE INFORMATION CONTAINED IN THIS DOCUMENT IS PROPRIETARY TO E-SWITCH AND IS NOT TO BE COPIED OR TRANSFERRED

| | | | | |
|------|---|-------|----------|----------|
| C | UPDATED RATING ADDING 1/3HP 125/250VAC | 23173 | 01/19/18 | MJR |
| B | IMPROVED UL TEMPERATURE RATING TO 105°C | 19855 | 02/04/11 | CAB |
| A | INITIAL RELEASE | 18788 | 02/01/10 | CAB |
| REV. | DESCRIPTION | PCR | DATE | DRAWN BY |

| | |
|----------------------|------------|
| DIMENSIONS | |
| INCHES [MILLIMETERS] | |
| GENERAL TOLERANCES | |
| ±0.008 [±0.2] / ±1' | |
| SCALE | PROJECTION |
| DRAWING NOT TO SCALE | 1st Angle |

| | | | |
|---------------------------|------------------|----------|--|
| | | | |
| <p>RSC141D1A81</p> | | | |
| ITEM NUMBER | DATE | REVISION | |
| 14-RSC141D1A81 | FEBRUARY 1, 2010 | C | |