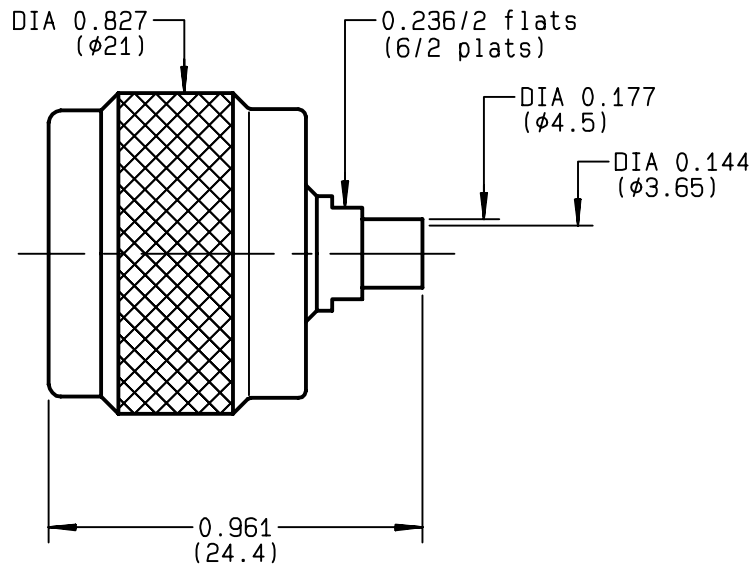


**STRAIGHT PLUG SOLDER TYPE  
CABLE .141**

**R161.051.000**  
**SERIES N**



NOMINAL IMPEDANCE	<b>50</b> Ω	CABLES : <b>KS 2</b> <b>RG 402</b>
FREQUENCY RANGE	<b>0-11</b> GHz	
TEMPERATURE RATING	<b>-55/+105</b> °C	
V.S.W.R	<b>1.15</b> + x F(GHz)Maxi	
RF INSERTION LOSS	<b>0.048</b> √F(GHz) dB Maxi	
VOLTAGE RATING	<b>335</b> Veff Maxi	
DIELECTRIC WITHSTANDING VOLTAGE	<b>1000</b> Veff Mini	
INSULATION RESISTANCE	<b>5000</b> MΩMini	
HERMETIC SEAL	<b>NA</b> Atm.cm <sup>3</sup> /s	
LEAKAGE (pressurized only)	<b>NA</b>	
MECHANICAL DURABILITY	<b>500</b> Cycles	OTHERS CHARACTERISTICS
WEIGHT	<b>24.86</b> gr	CABLE RETENTION <b>500</b> N Mini
SPECIFICATION		CENTER CONTACT RETENTION
		Axial force - mating end <b>NA</b> N Mini
		Axial force - opposite end <b>NA</b> N Mini
		Torque <b>NA</b> cm.N Mini
		RECOMMENDED TORQUES
		Mating <b>130</b> cm.N
		Panel nut <b>NA</b> cm.N
		Clamp nut <b>NA</b> cm.N

CONNECTOR PARTS	MATERIALS	FINISH
BODY	BRASS	GOLD 0.2 OVER NICKEL 2
OUTER CONTACT		
CENTER CONTACT	BRASS	GOLD 0.5 OVER NICKEL 2
INSULATOR	PTFE	-
GASKET	SILICONE RUBBER	-
OTHERS PIECES	BRASS	BBR 2

(all values are given in micrometers)

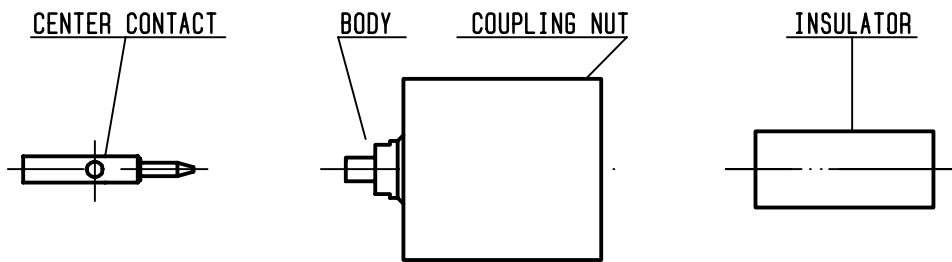
BONMINI	ISSUE	CREATION DATE	FILE PART-NUMBER	
	<b>0248K01</b>	<b>08/02/1993</b>	<b>EPC 96-07</b>	

The information given here is subject to change without notice. Design changes may be in order to improve the product .



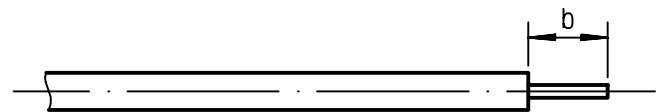
**R161.051.000**

ISSUE **0248K01** SERIES **N**



①

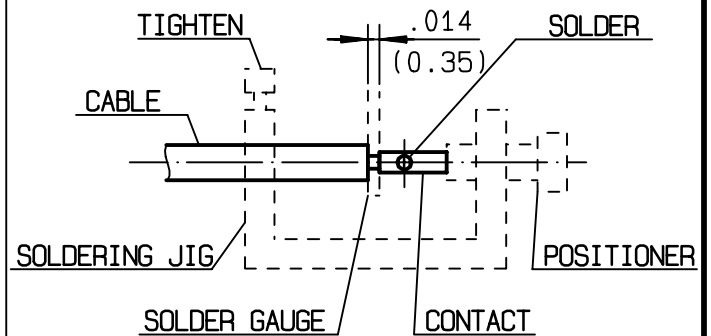
Take the tool kit : R 282 125 010 .  
Strip the dielectric of the cable .  
Stripping tool cable : R 282 053 .  
Trimmer : R 282 066 010 .  
Clean the cable .  
-



Stripping	a	b	c	d	e
inch	0	0.177 0	0	0	0
mm		4.5			

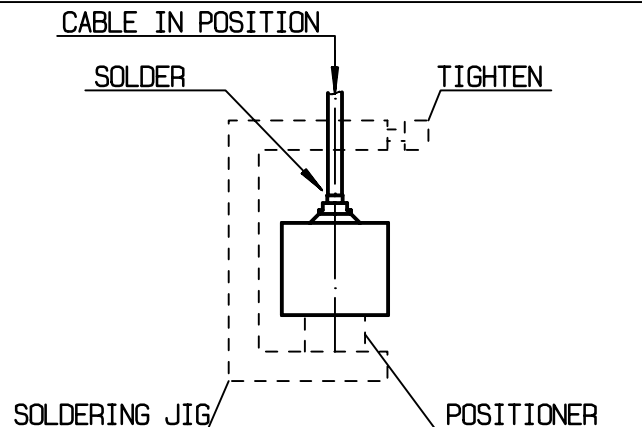
②

Screw the positioner R 282 744 261 onto the soldering jig R 282 740 030 .  
Slide contact into positioner .  
Insert solder gauge R 282 862 070 between contact and cable .  
Tighten and solder the contact .



③

After cooling remove cable assembly from the jig .  
Screw positioner R 282 744 340 into the connector .  
Slide cable into the connector until it bottoms against positioner R 282 744 340 .  
Tighten .  
Put 3 rings of solder around the cable and solder .



④

After cooling remove cable assembly from the jig .  
Screw female dielectric insert tool onto connector and cut the excess of dielectric with the dielectric recess tool R282 915 030 .  
Insert insulator with the dielectric plunger .  
Dielectric insert tool and dielectric plunger : R282 730 161 .

