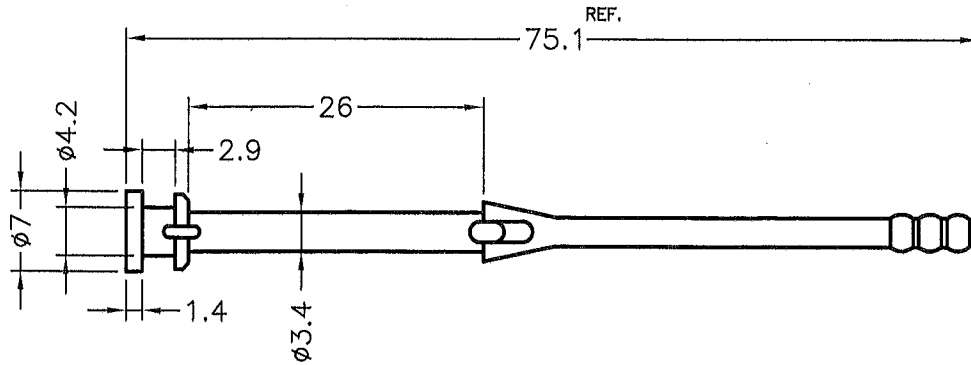


DIM.	TOL
5mm DOWN	±0.2
5~20mm	±0.3
20~40mm	±0.4
40~60mm	±0.5
60~100mm	±0.8
100mm UP	±1.0



REVISIONS			
REV	DESCRIPTION	DATE	BY



FANS MOUNTING HOLE $\phi 3.4$
SUPPORT CHASSIS THICKNESS 2.9 mm

NOTE: All measurement does not include gate which raises under 1.2mm.

PART NO.	HARDNESS
BUB-76G	45°±10°
BUB-76H	55°±10°

 <p>康揚企業股份有限公司 KANG YANG HARDWARE ENTERPRISE CO., LTD. 康揚塑膠(東莞)有限公司 KANG YANG PLASTIC(DONG GUAN) CO., LTD. 康哲電腦配件(吳江)有限公司 KANG CHE COMPUTER COMPONENTS(WUJIANG) CO., LTD.</p>	TITLE	FAN SNAP RIVET	SPEC. DWG.
	MATERIAL	TPE	DATE 2006.04.11
	HARDNESS	SEE ABOVE	DRAWN Linda
	COLOR	BLACK	CHECK 
PART NUMBER	DRAWING NUMBER	UNLESS OTHERWISE SPECIFIED TOLERANCE	
SEE ABOVE	BUB-76	SEE ABOVE	
SIZE	SCALE	UNIT	REV
A4	3:2	mm	B
APPROVED			