

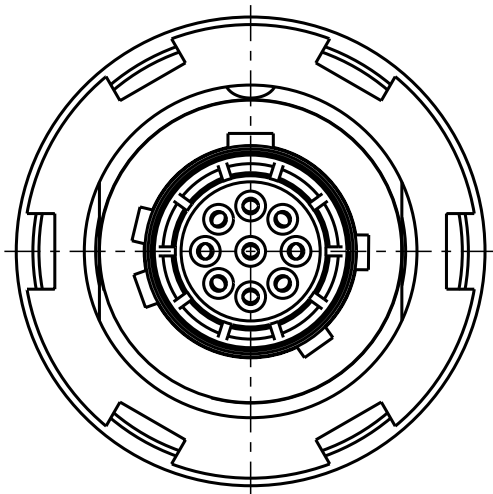
Für diese Unterlage behalten wir uns alle Rechte vor, auch für den Fall der Patentierung oder Gebrauchsmusteranmeldung. Sie darf ohne unsere vorherige schriftliche Zustimmung weder vervielfältigt noch sonstwie benutzt, noch Driften zugänglich gemacht werden.

Nur rot gestempelte oder auf Laufr Karte gedruckte Dokumente unterliegen dem Änderungsdiens und sind zur Fertigung freigegeben. Only red stamped or on job card printed documents are managed. These documents are approved for production.

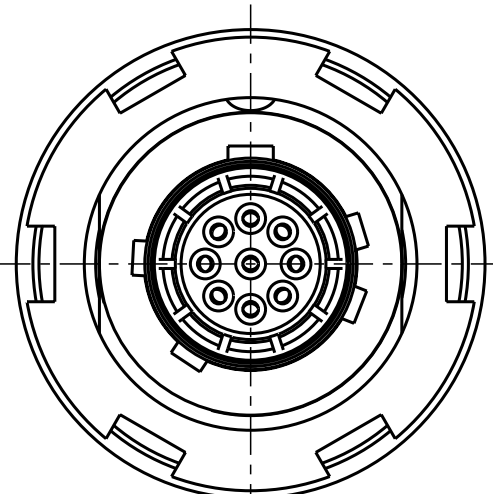
All Rights reserved, including possible patents or trademarks. Documents shall not be provided to a third party or duplicated in any form without prior written permission.

CAD: Pro/ENGINEER

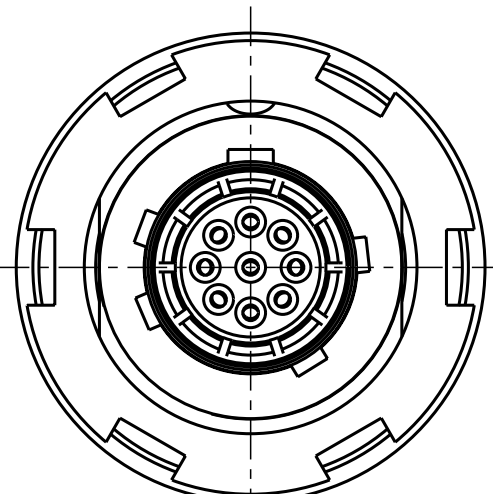
Additional coding
View in direction B



G80YBR-P09WCDO-000L
Mechanical coding: B
Color Coding: red

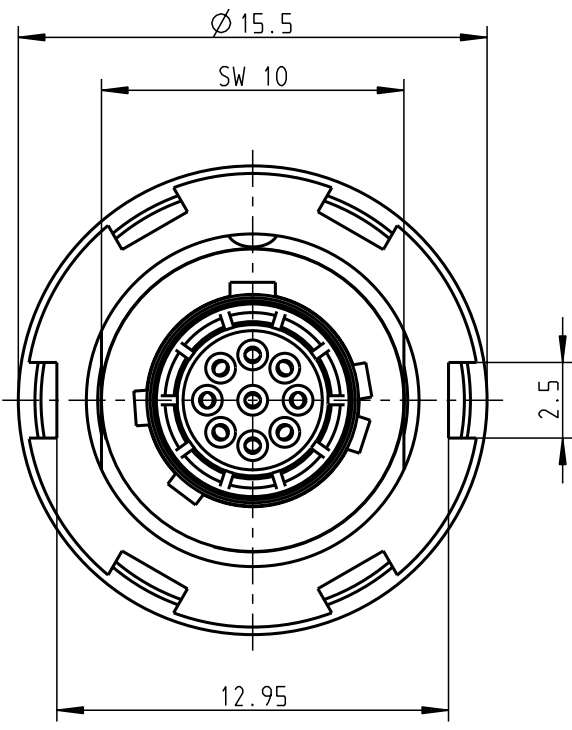
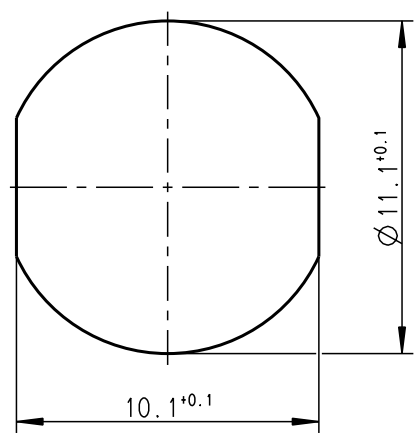


G80YCR-P09WCDO-000L
Mechanical coding: C
Color Coding: blue

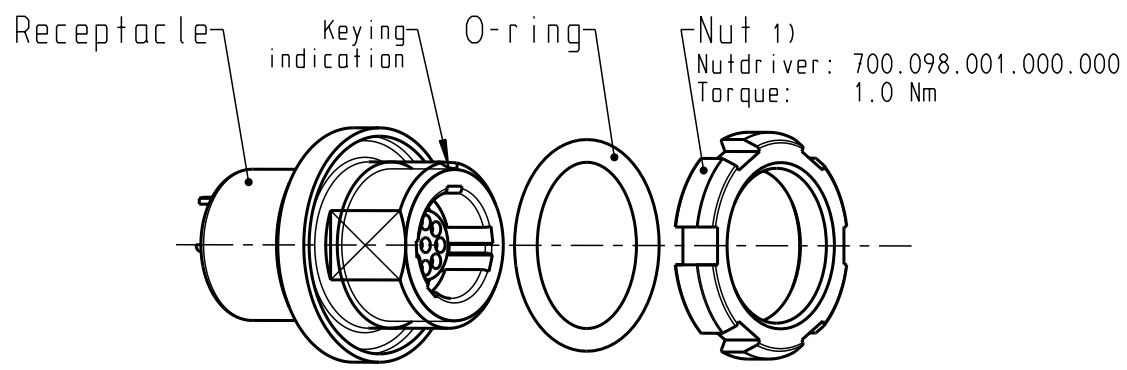


G80YDR-P09WCDO-000L
Mechanical coding: D
Color Coding: green

Panel cut-out

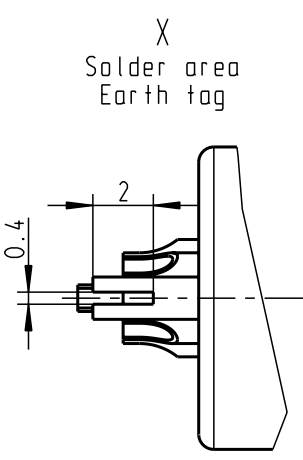
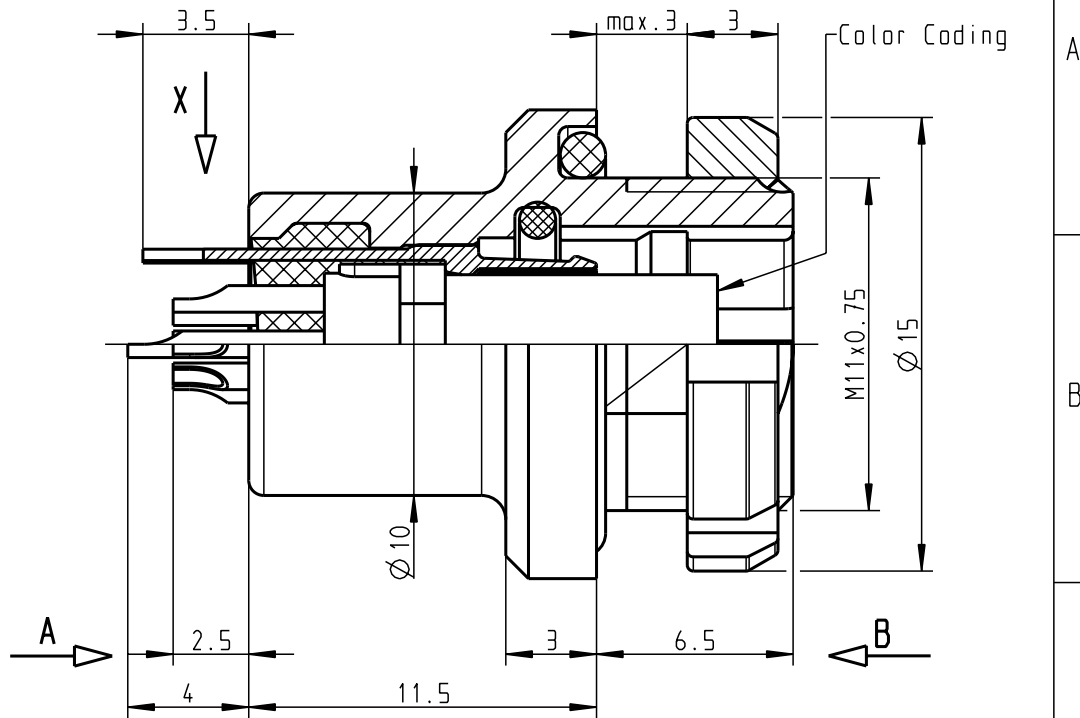


G80YAR-P09WCDO-000L
Mechanical coding: A
Color Coding: light brown

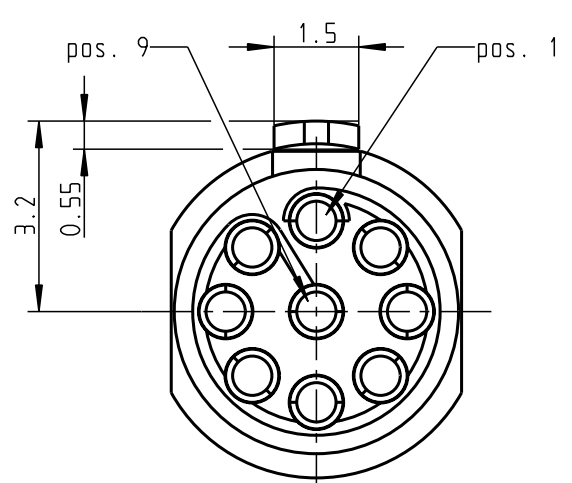


Nut 1)
Nutdriver: 700.098.001.000.000
Torque: 1.0 Nm

Delivery condition
2:1



Only insert and earth tag
View in direction A
8:1



Technical information

- Solder contacts: AWG26
- Current load: 5A@+40° (Single contact)
3.25A@+40° (Insert)
- Test voltage: 600V (acc. SAE AS 13441:1998, Contact to contact)
- Rated voltage: 200V (acc. SAE AS 13441:1998) 2)
- For more technical information and accessories see catalogue (www.odu.de/amc)

- 1) ODU recommend an additional locking of the nut with adhesive (e.g. Loctite 2701) to the screw thread.
- 2) Maximal operating voltage at sea level up to 2.000m. Rated voltage applies no other electrical safety standard. In case other standards rule a specific use of the connector, the application specific safety criteria shall be considered first. This must be evaluated in the frame of equipment engineering.

All shown connectors are according to DIN EN 61984:2009
connectors without breaking capacity (COC) !

				Dimensions without tolerances acc. to middle DIN ISO 2768		PE-modell-nr.:	
				2011 date name		CAD-nr.: 00051393 sheet.:	
				prep. 22.12. M. Meier		designation:	
				app.		Receptacle style 8 AMC Standard Version	
				norm.		scale: 4:1	
				 otto dunkel gmbh		drawing nr.:	
						G80Y.R-P09WCDO-000L	
index notice date name				replacement for:		copy nr.:	