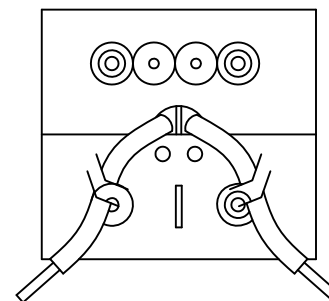
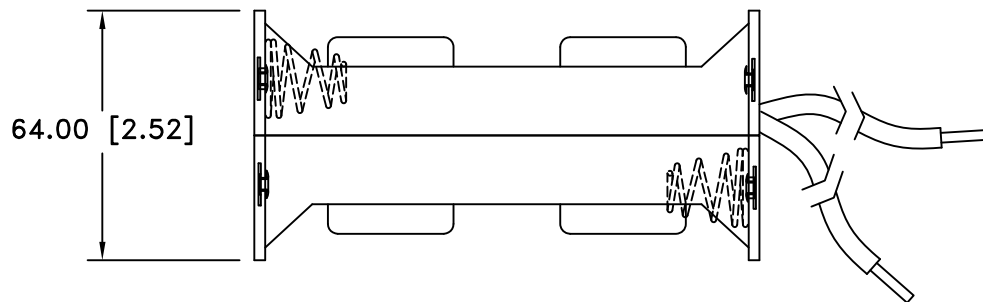
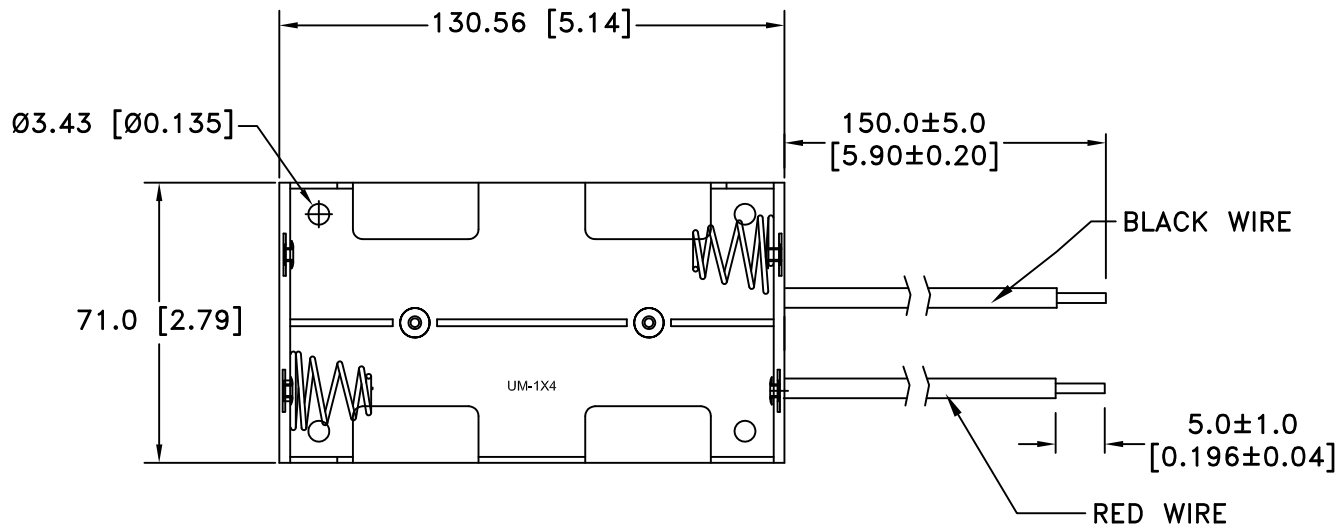



Date	SYM	REVISION RECORD	AUTH	DR.	CK.
09/07/12	A	REDRAWN IN AUTOCAD	T.B.	B.S.	
03/01/13	B	UPDATED TO ROHS 2 COMPLIANT	T.B.	B.S.	
03/10/17	C	DIM. 5.0 WAS 3.18 ADDED 4 HOLES	T.B.	B.S.	
03/31/17	D	DIM. 3.43 WAS 5.40 DIM. 64.00 WAS 64.52 DIM. 150.0 WAS 152.4	T.B.	B.S.	



SPECIFICATION:

1. MATERIAL:

HOUSING : BLACK POLYPROPYLENE
 FLAMMABILITY RATING -UL94-HB, UL FILE NO. E216959
 TEMPERATURE RANGE: -10°C to +100°C
 RIVETS: BRASS, NICKLE PLTD.
 WIRE: 26 AWG, UL1007, CSA, 300V, 80°C
 SPRING: SPRING STEEL, NICKLE PLTD.
 CONTACT RESISTANCE: UNDER 50mΩ FOR +/- CONTACTS PER
 EIA-540J000
 ROHS 2 COMPLIANT

Tolerance (Except as noted)	 Memory Protection Devices, Inc 200 Broad Hollow Road, Farmingdale, New York 11735	Scale	Drawn By B.S.
			Approved By T.B.
decimal ±.5 (.020)	Title 8 "D" CELL HOLDER	Date 03/31/17	
Fractional ± .8 (.030)		Drawing Number BH428DW	
Angular ± 3°			