



Electrical specifications

Center Frequency: 1625 MHz
Insertion loss: <3 dB@1625 MHz
Passband: 1613-1637 MHz
Rejection 1: >70 dB@1500 MHz
Rejection 2: >70 dB@1750 MHz

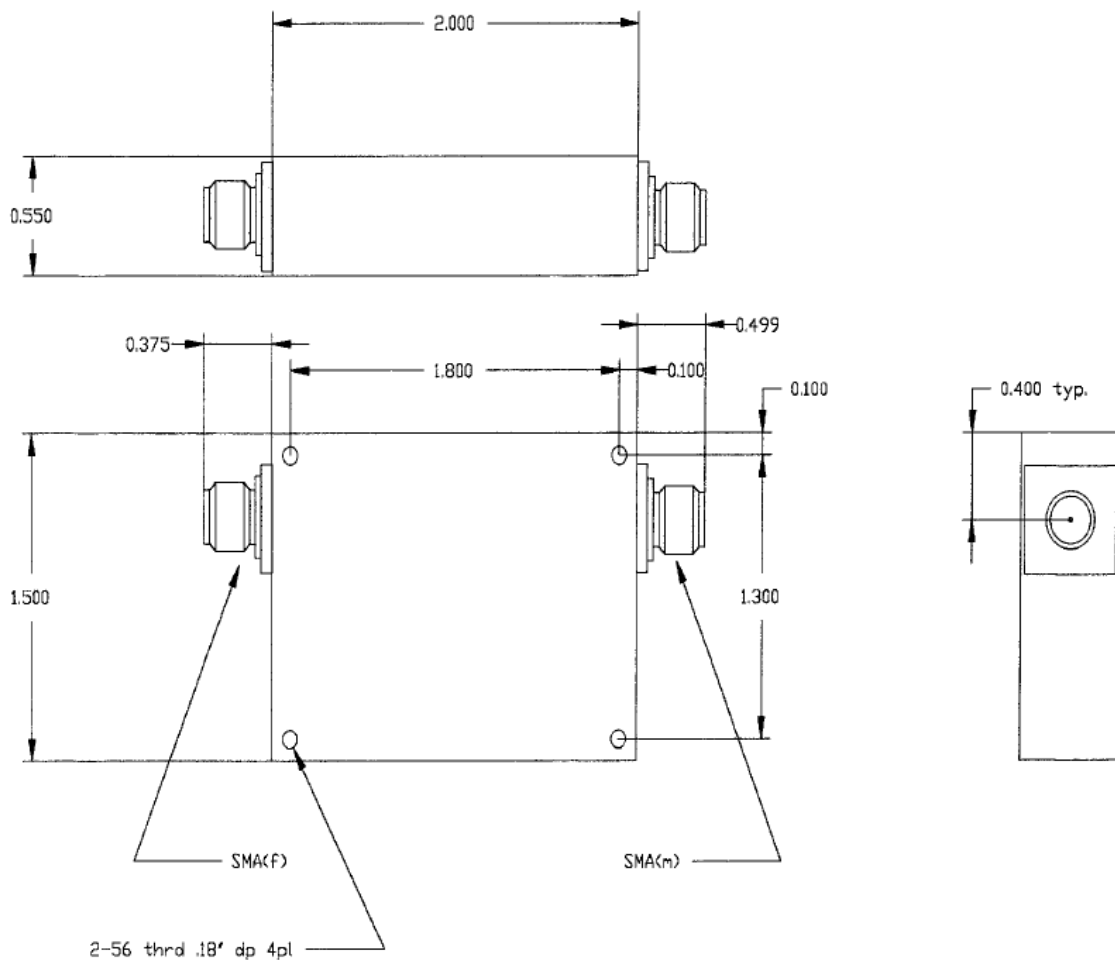
Mechanical

Mounting Method: Threaded Mounting Holes
Connector Type: SMA Female, SMA Male
Dimensions: 2.00" x 1.50" x 0.55" in

Environmental

Operating Temperature: -45 to +85° C
Storage Temperature: -55 to +95° C
Shock: 20 G. 11ms
Vibration: 20 G. 5 to 200 MHz

Outline Drawing:





ANATECH ELECTRONICS INC
RF & Microwave Filters & Products

1625 MHz Cavity Bandpass Filter

Part Number: AE1625B9073



Plots:

