

NOTES:

1. MATERIALS AND FINISHES:

- BODY - BRASS, NICKEL PLATING
- CONTACT - BeCu, GOLD PLATING
- BULLET CONTACT - BRASS, GOLD PLATING
- INSULATOR - PTFE, NATURAL
- O-RING & GASKET - SILICONE RUBBER, RED
- FERRULE - BRASS, NICKEL PLATING
- HEX NUT - BRASS, NICKEL PLATING
- LOCK WASHER - BRASS, NICKEL PLATING

2. ELECTRICAL:

- A. IMPEDANCE: 50 OHM
- B. FREQUENCY RANGE: DC - 6 GHz
- C. VSWR (RETURN LOSS): 1.15 MAX. @ DC-3 GHz
- D. DIELECTRIC WITHSTANDING VOLTAGE: 1000 VRMS. MIN.

3. MECHANICAL:

- A. DURABILITY: 500 CYCLES MIN.
- B. TEMPERATURE RANGE: -65°C TO 165°C
- C. SEALING: MEETS IP67 REQUIREMENTS IN UNMATED CONDITION

4. PACKAGING:

- A. QUANTITY: SINGLE PACK
- B. MARKING: BAG TO BE MARKED "AMPHENOL RF, 901-10813, AND DATE CODE"
- C. HEX NUT, LOCK WASHER, FERRULE, BULLET CONTACT AND GASKET ARE PACKAGED LOOSE

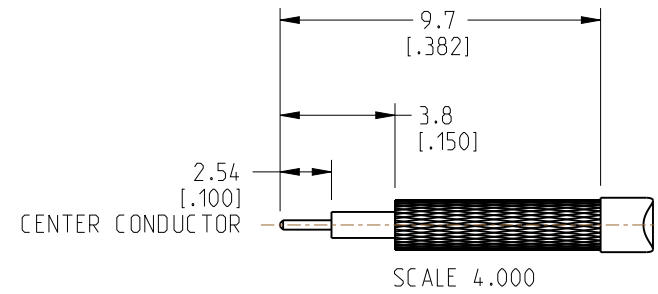
5. ASSEMBLY INSTRUCTIONS:

- A. TRIM CABLE AS SHOWN.
- B. SLIDE FERRULE ONTO CABLE.
- C. SOLDER CABLE CENTER CONDUCTOR TO BULLET CONTACT.
- D. INSERT CABLE FULLY INTO CONNECTOR UNTIL IT BOTTOMS.
- E. CRIMPED FERRULE USING WITH .128" HEX.

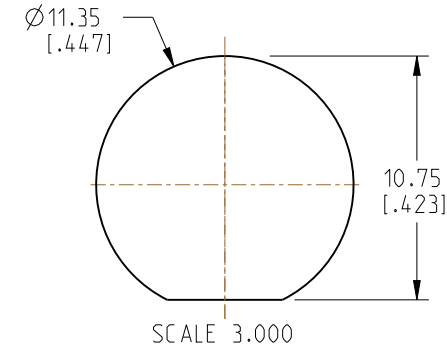
6. SHOWS CABLE ENTRY DIMENSIONS

7. MAX. PANEL THICKNESS=7.35 MM

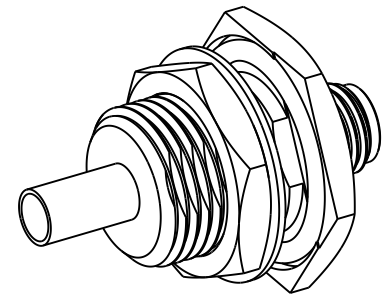
REVISIONS				
REV	DESCRIPTION	DATE	ECN	BY
A	RELEASE TO MFG.	25-NOV-21	16027	SH



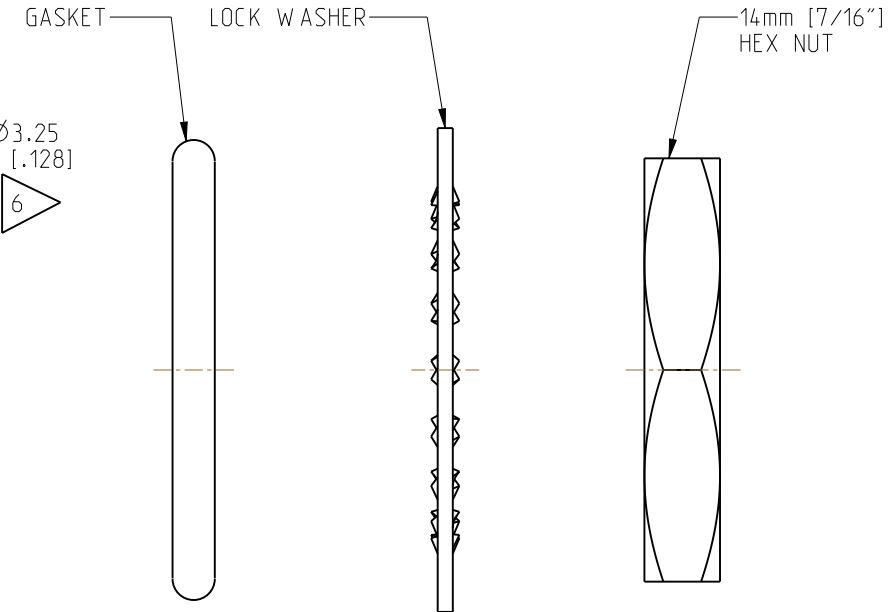
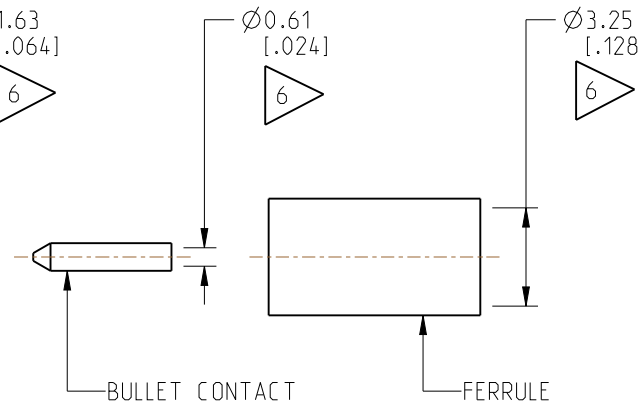
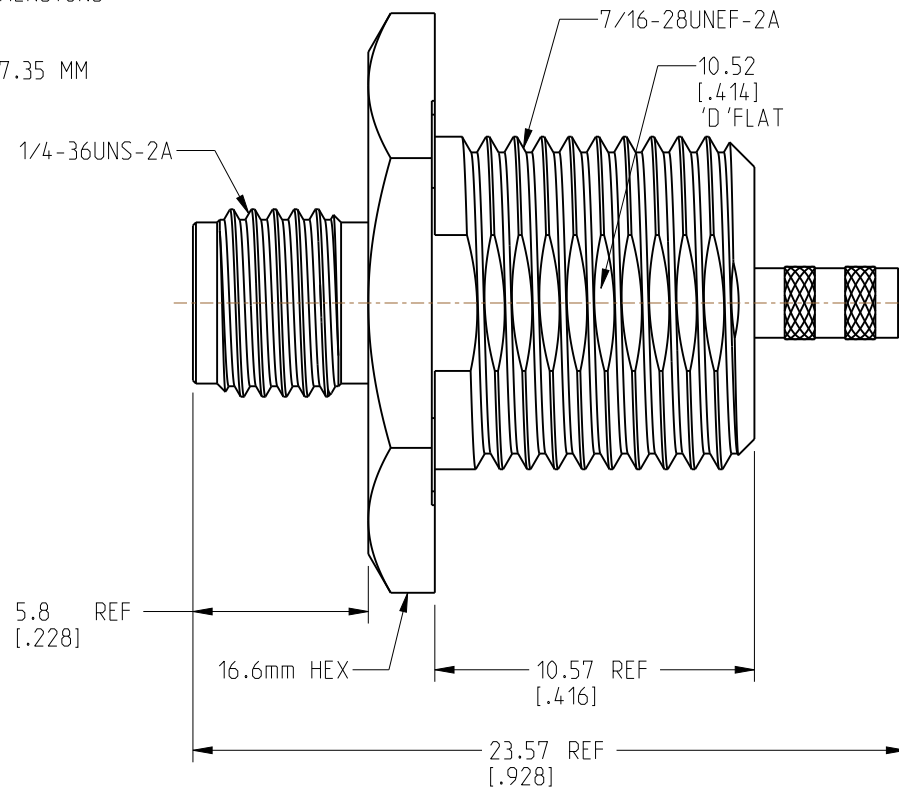
RECOMMENDED CABLE STRIPPING DIMENSIONS



RECOMMENDED MOUNTING HOLE DIMENSIONS



SCALE 2.000



CUSTOMER OUTLINE DRAWING

ALL OTHER SHEETS ARE FOR INTERNAL USE ONLY

<p>NOTICE: These drawings, specifications, or other data (1) are, and remain the property of Amphenol corp. (2) must be returned upon request; and (3) are confidential and not to be disclosed to any person other than those to whom they are given by Amphenol Corp. The furnishing of these drawings, specifications, or other data by Amphenol Corp., or to any other person to anyone for any purpose is not to be regarded by implication or otherwise in any manner licensing, granting rights to permitting such holder or any other person to manufacture, use or sell any product, process or design, patented or otherwise, that may in any way be related to or disclosed by said drawings, specifications, or other data.</p>			<p>UNLESS OTHERWISE SPECIFIED DIMENSIONS ARE METRIC (INCHES) AND TOLERANCES ARE:</p> <table border="0"> <tr> <td><0.5mm = ±0.05mm</td> <td>[<0.020 = ±0.002]</td> </tr> <tr> <td>0.5 - 6mm = ±0.1mm</td> <td>[>0.020 - 0.236 = ±0.004]</td> </tr> <tr> <td>>6.00 - 30mm = ±0.2mm</td> <td>[>0.236 - 1.181 = ±0.008]</td> </tr> <tr> <td>>30.00 - 120mm = ±0.3mm</td> <td>[>1.181 - 4.725 = ±0.012]</td> </tr> </table>			<0.5mm = ±0.05mm	[<0.020 = ±0.002]	0.5 - 6mm = ±0.1mm	[>0.020 - 0.236 = ±0.004]	>6.00 - 30mm = ±0.2mm	[>0.236 - 1.181 = ±0.008]	>30.00 - 120mm = ±0.3mm	[>1.181 - 4.725 = ±0.012]	<p>MATERIAL</p>			<p>TITLE</p>			<p>Amphenol RF</p>		
<0.5mm = ±0.05mm	[<0.020 = ±0.002]																					
0.5 - 6mm = ±0.1mm	[>0.020 - 0.236 = ±0.004]																					
>6.00 - 30mm = ±0.2mm	[>0.236 - 1.181 = ±0.008]																					
>30.00 - 120mm = ±0.3mm	[>1.181 - 4.725 = ±0.012]																					
<p>THIRD ANGLE PROJ. </p>			<p>REFERENCE: 901-10743</p>			<p>ENGR.1 C.CROTTY</p>			<p>ENGR.2 JACK LIANG</p>													
<p>EAR# 10107</p>			<p>ANGLES = ±1°</p>			<p>DATE 03-JUN-21</p>			<p>SHEET NO. 2 OF 2</p>													
<p>SCALE: 2.0:1.0</p>			<p>SCALE: 2.0:1.0</p>			<p>SIZE B</p>			<p>DRAWING NO. 901-10813</p>													
<p>ITEM NO. 901-10813</p>			<p>PART NO. 901-10813</p>			<p>REV A</p>			<p>SCALE: 2.0:1.0</p>													