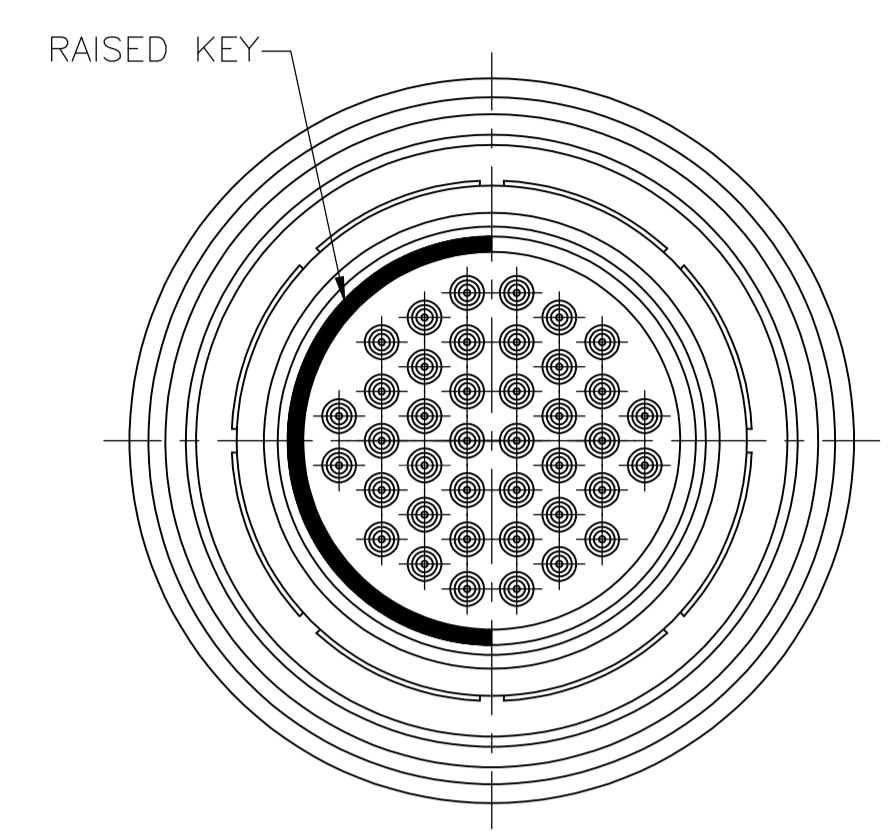
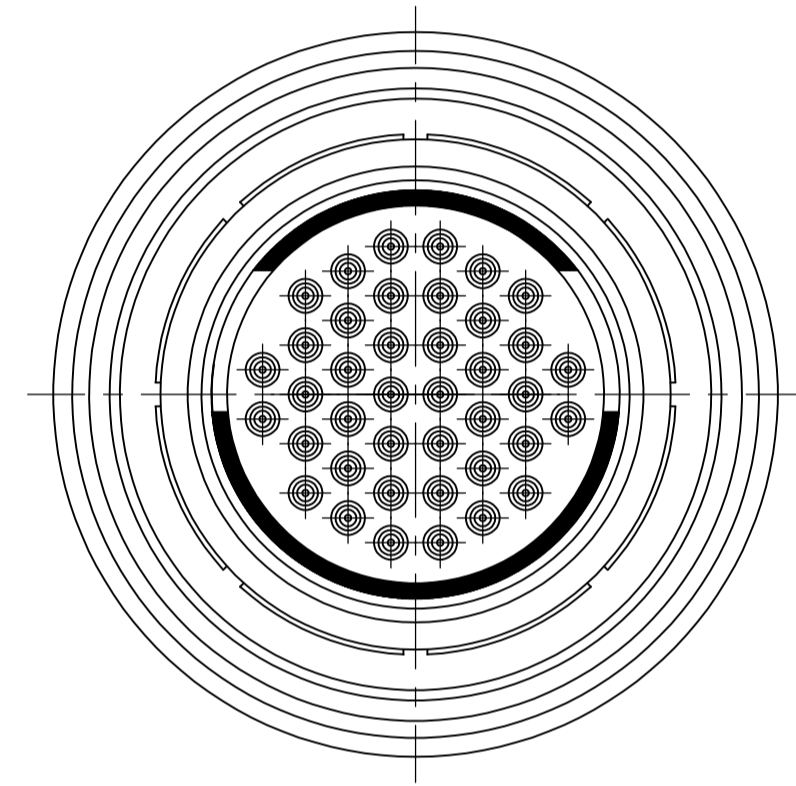


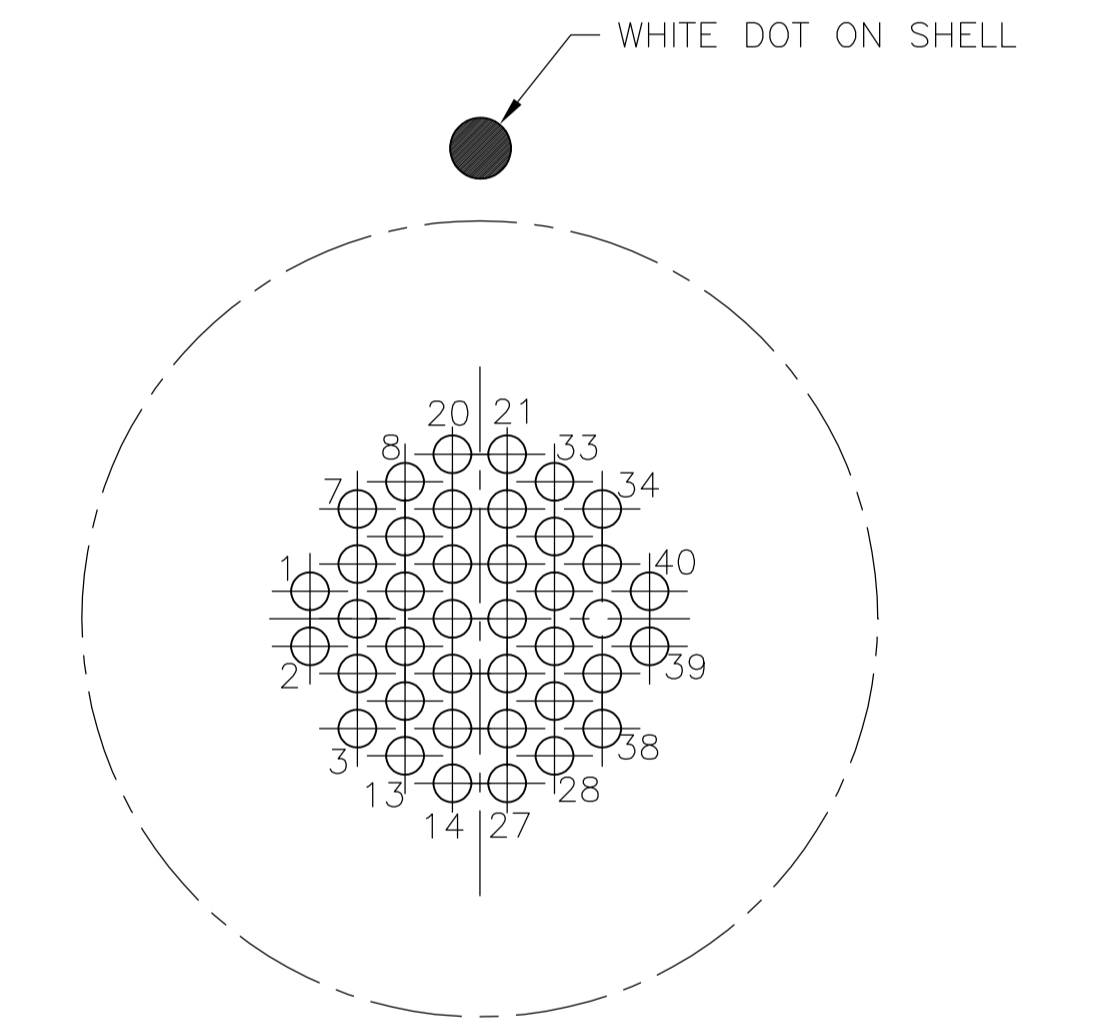
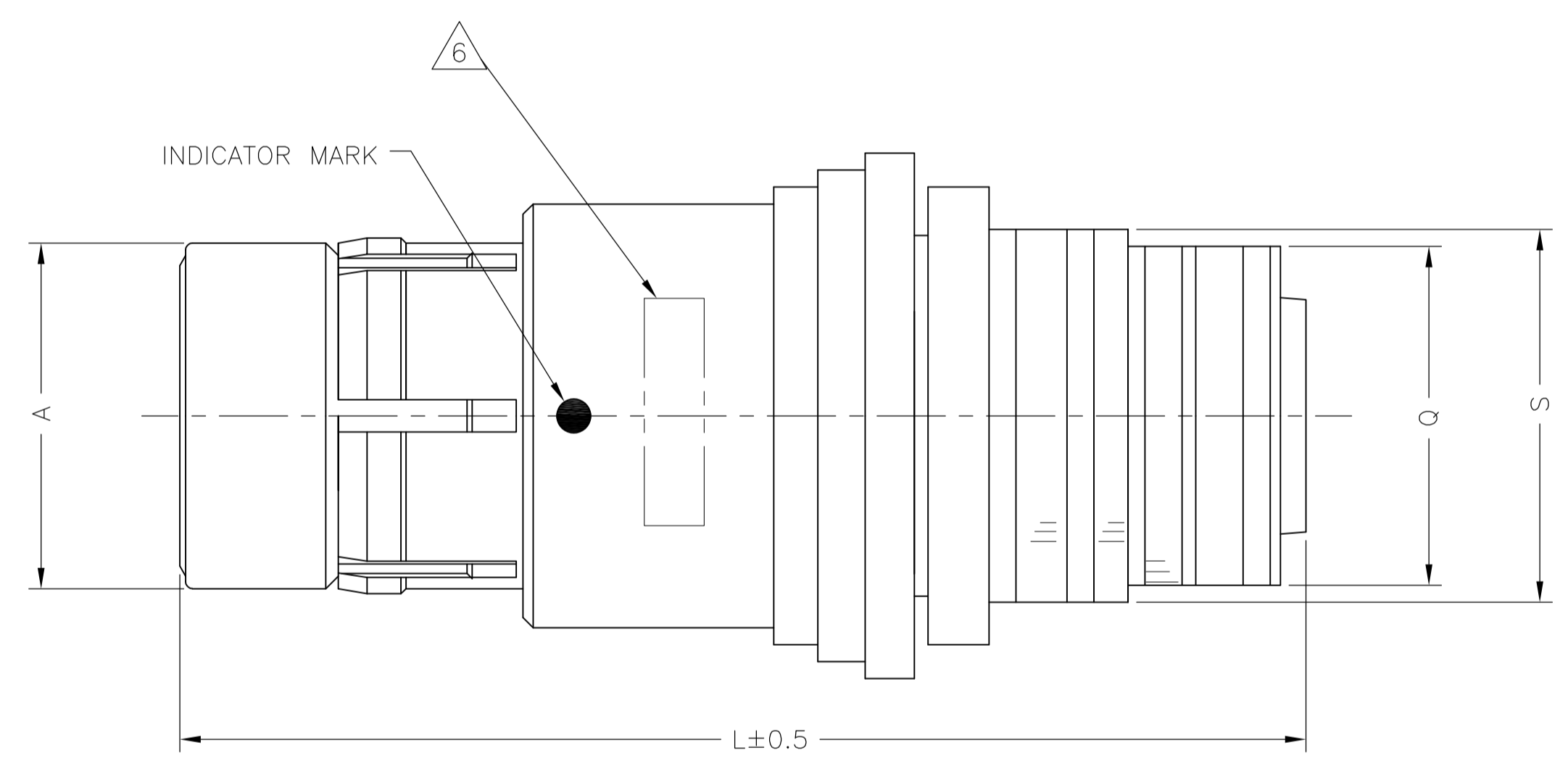
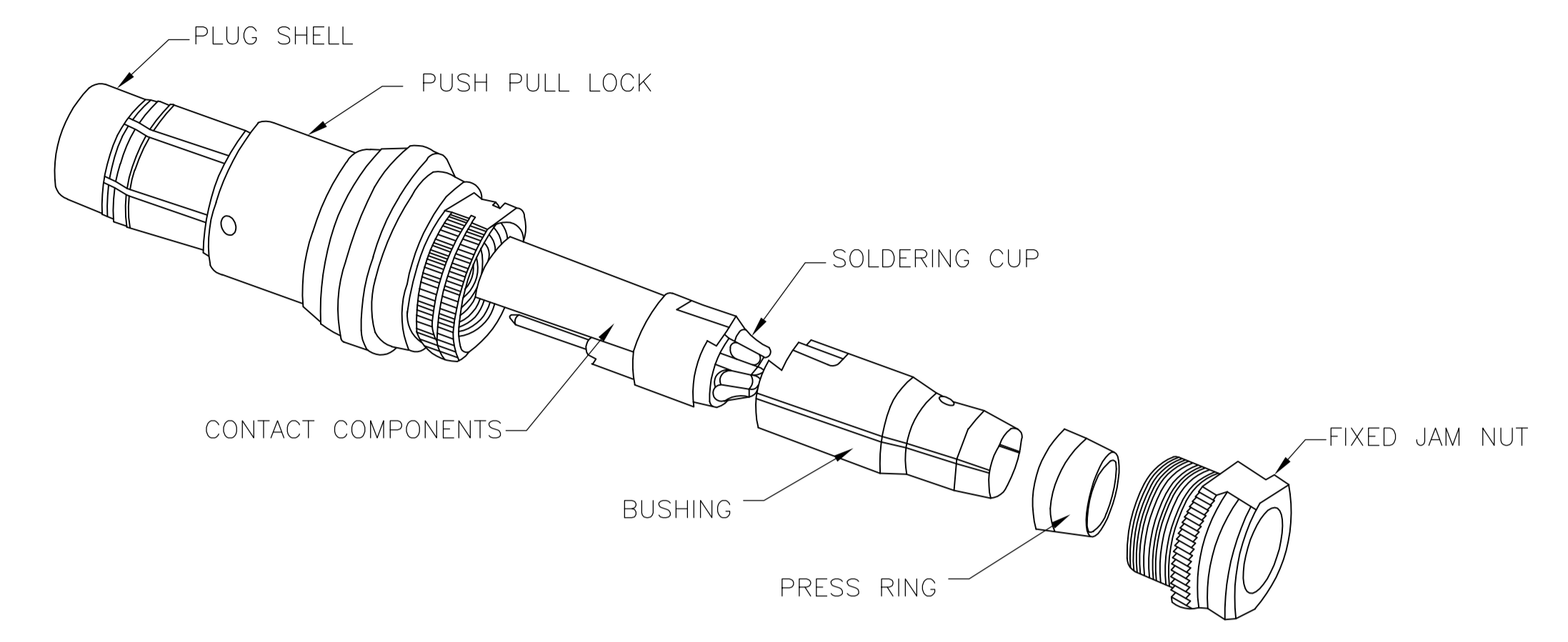
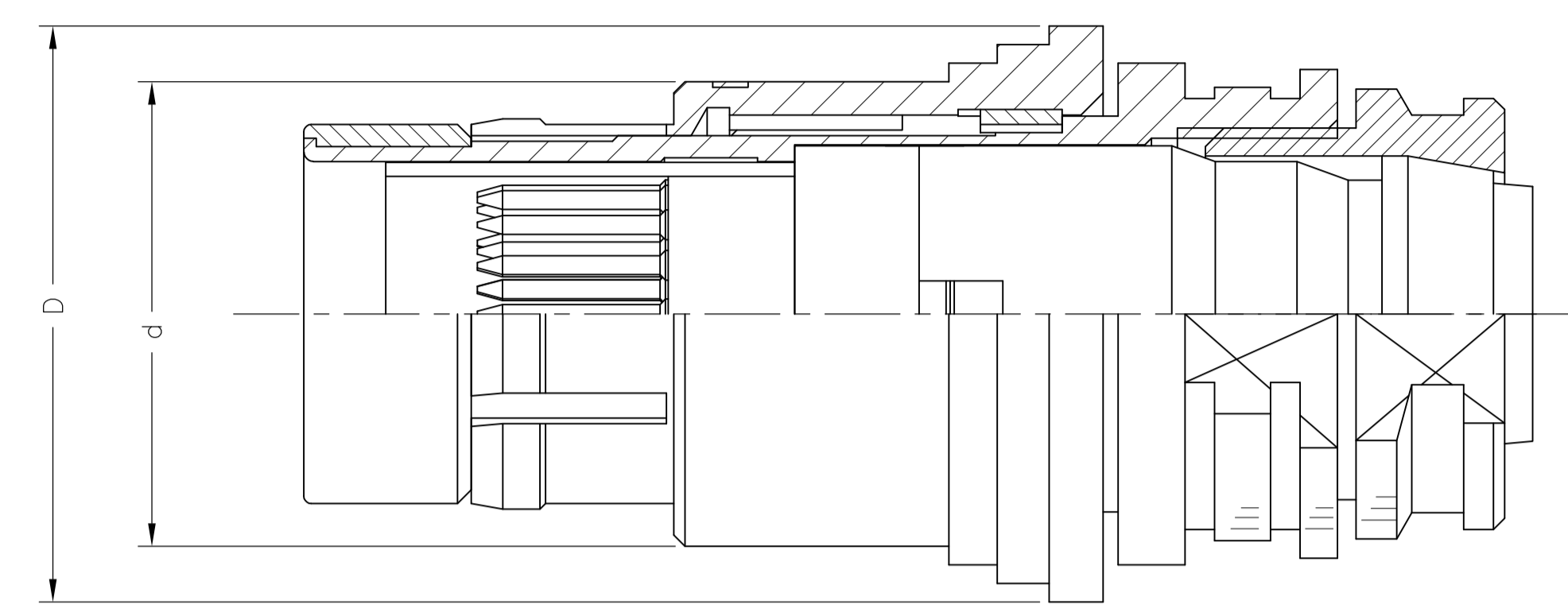
LOC		DIST		REVISIONS			
P	LTR	DESCRIPTION	DATE	DWN	APVD		
C		REVISED PER ECO 13-001843.	08FEB2013	MGM	CT		



SINGLE POLARIZATION



DOUBLE POLARIZATION



CAVITY IDENTIFICATION WHEN VIEWED FROM REAR OF THE CONNECTOR

- 1. DWV RATING: 725VAC @ SEA LEVEL
- 2. WIRE SIZE: 28 AWG MAX
- 3. WORKING TEMPERATURE: -55°C ~ +125°C

4 MATERIAL:
 CONTACT : COPPER ALLOY
 SHELL : COPPER ALLOY
 INSULATOR : PEEK

5 FINISH
 CONTACT: GOLD OVER NICKEL
 SHELL : BLACK CHROMIUM

6 PART IS MARKED WITH THE TE PART NUMBER, CHINA, DATE CODE AND LOT I.D.

7 ALL TOLERANCES TO BE ±0.20MM UNLESS NOTED.

CHROMIUM-BLACK	DOUBLE	SOLDERING	15	16	42.9	Ø18	Ø21.3	5	2101551-2
CHROMIUM-BLACK	SINGLE	SOLDERING	15	16	42.9	Ø18	Ø21.3	5	2101551-1
FINISH	POLARIZATION	TERMINATION	Q	S	L	d	D	SHELL SIZE	TE PART NUMBER

THIS DRAWING IS A CONTROLLED DOCUMENT.

DIMENSIONS:	TOLERANCES UNLESS OTHERWISE SPECIFIED:	DIN C.C. THOMAS 21AUG2009	TE Connectivity
mm	0 PLC ± -	21AUG2009	
	1 PLC ± -		NAME
	2 PLC ± 0.20		CIRCULAR HD PLUG WITH PINS, SOLDER CUP 40 POS
	3 PLC ± -		PRODUCT SPEC
	4 PLC ± -		108-127005
	ANGLES ± °		APPLICATION SPEC
MATERIAL	FINISH	SIZE	CAGE CODE
- 4	- 5	A1	00779
		DRAWING NO.	2101551
		WEIGHT	
		CUSTOMER DRAWING	SCALE NTS SHEET 1 OF 1 REV C