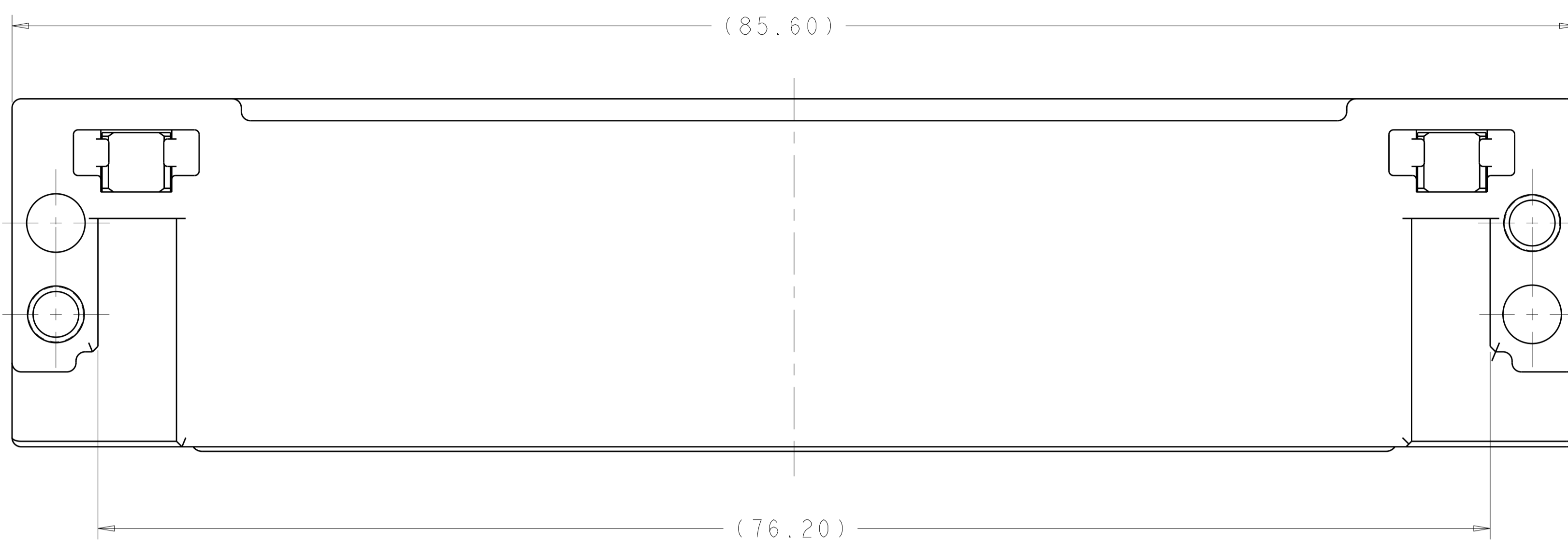
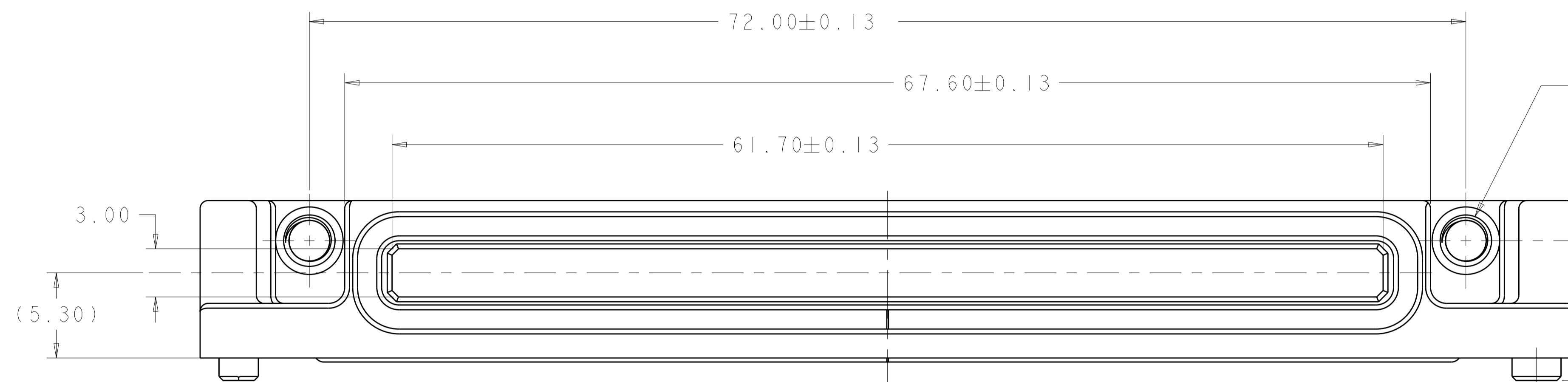


LOC		DIST		REVISIONS			
GP	00	P	LTN	DESCRIPTION	DATE	DWN	APVD
		A		RELEASED PER ECO-12-006362	14MAY2012	CJV	MRS
		B		UPDATED NOTE 3 GASKET DESCRIPTION	31JAN2019	IT	SH



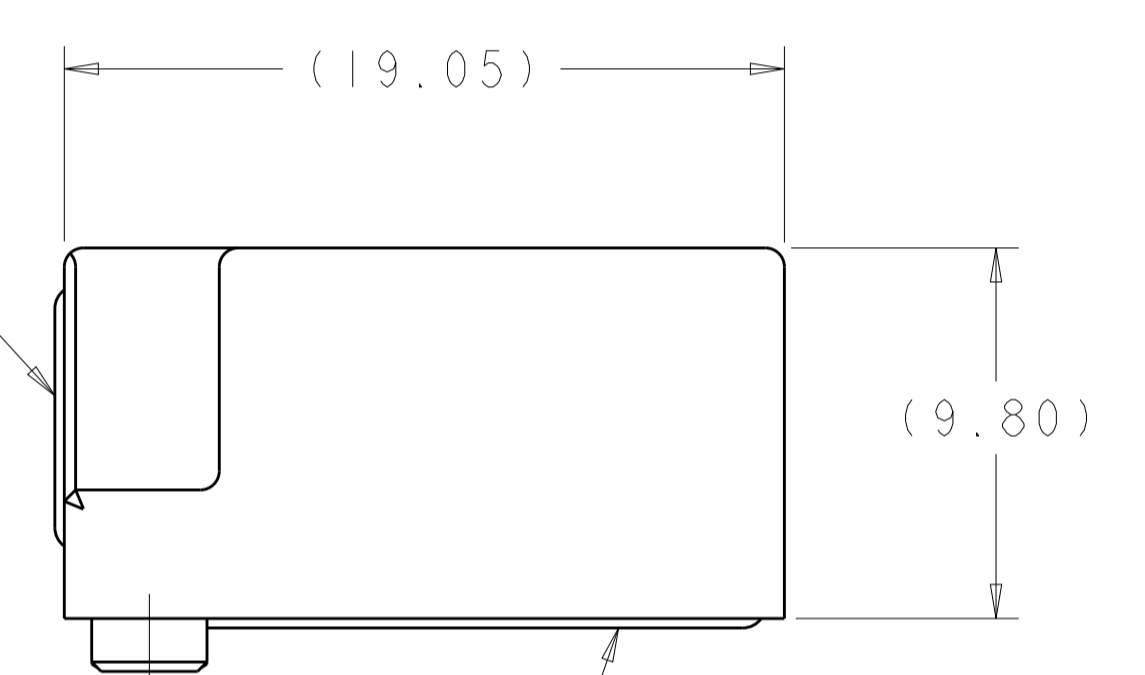
- △ ZINC ALLOY PER ASTM-B-86, ALLOY AG40A.
- △ NICKEL PLATE PER QQ-N-290.
- △ ELASTOMERIC GASKETS MEET TE STANDARDS AND SPECIFICATIONS. SLIGHT COLOR VARIATION ARE NORMAL.
- △ STAINLESS STEEL PER ASTM-A-582, TYPE 303.
- △ ONE-PART SILICONE ADHESIVE.

RECEPTACLE COVER
 △△



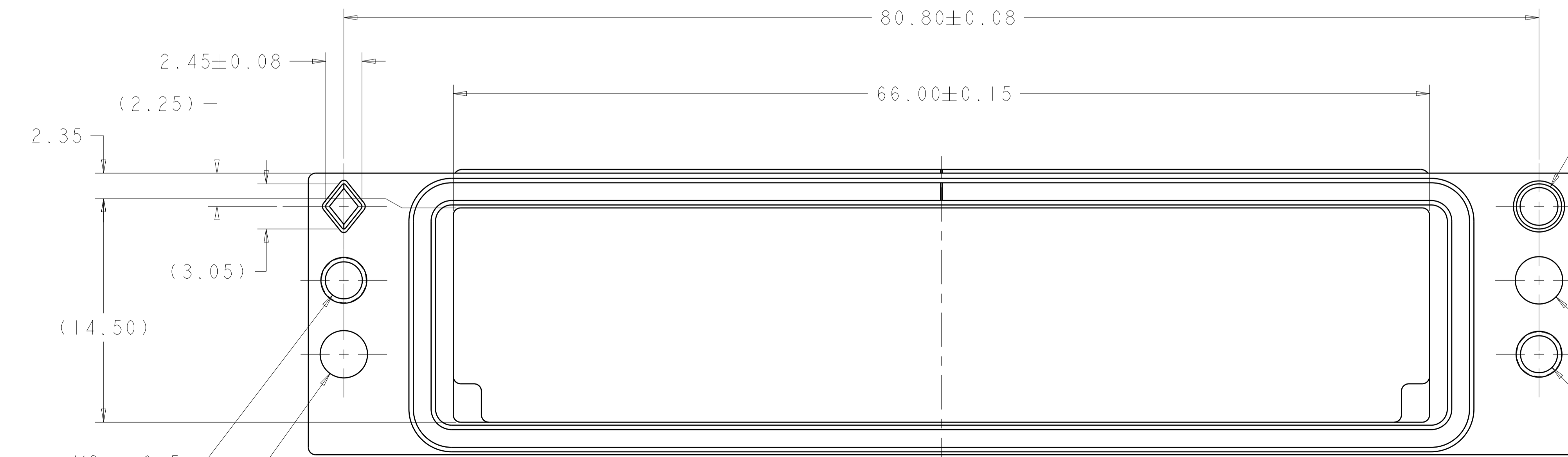
△4
 THREADED INSERT

△△
 INTERFACE GASKET



△ PCB GASKET

2X DIM A



Ø3.05±0.05

(2.25)

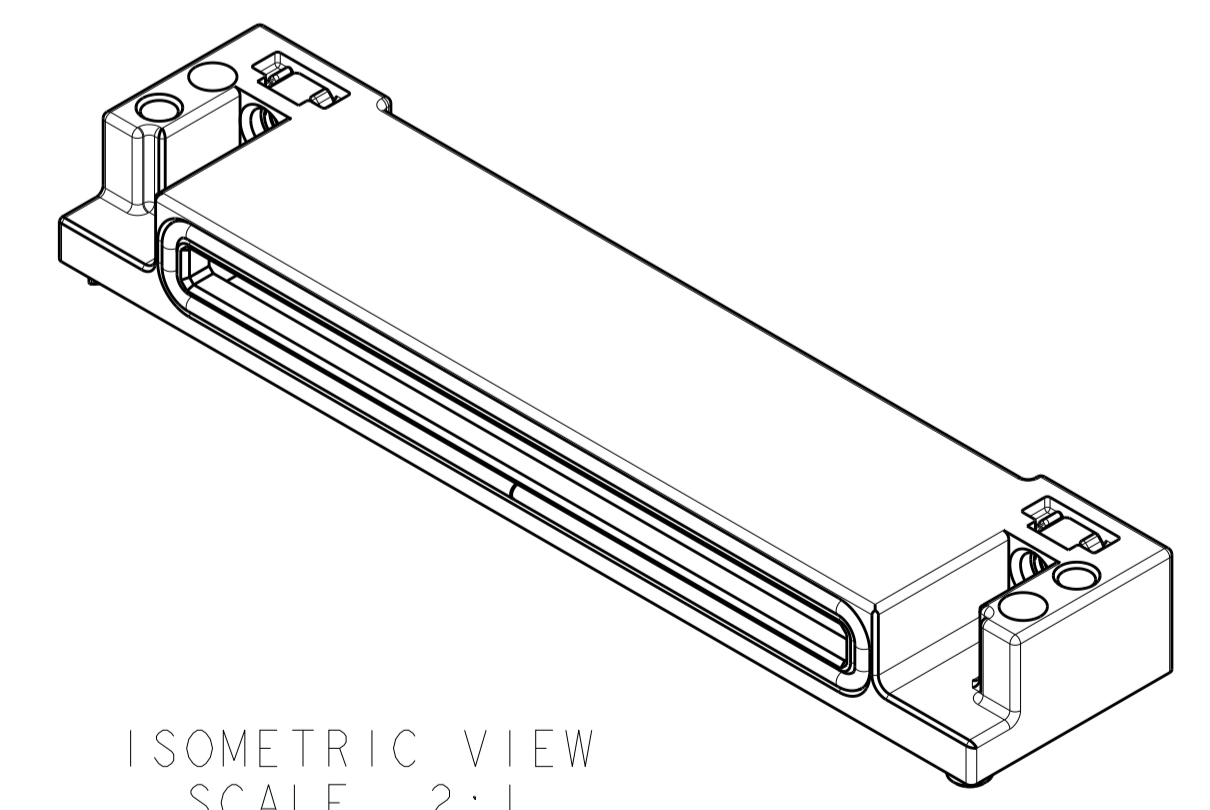
(5.00)
 2X

(10.00)
 2X

(Ø3.20)

M3x0.5
 TAPPED HOLE

M3 x 0.5
 TAPPED HOLE



2057631-1
 PART NUMBER

THIS DRAWING IS A CONTROLLED DOCUMENT. DIMENSIONING AND TOLERANCING PER ASME Y14.5M-2009.		DWN P. KERLIN 07NOV2008	TE Connectivity
DIMENSIONS: mm		CHK E. BRIGHT 07NOV2008	NAME COVER ASSEMBLY, HOST CONNECTOR, 100 GIG, CFP
TOLERANCES UNLESS OTHERWISE SPECIFIED:		APVD	PRODUCT SPEC 108-2399
0 PLC ±			APPLICATION SPEC
2 PLC ±0.10			114-13263
3 PLC ±			WEIGHT
4 PLC ±			SIZE CAGE CODE DRAWING NO A100779C=2057631
ANGLES ±			RESTRICTED TO
FINISH			SCALE 5:1 SHEET 1 OF 1 REV B
MATERIAL			CUSTOMER DRAWING