

RJ45 connector - CUC-V06-C1PBK-S/R4CEA:1 - 1414410


Please be informed that the data shown in this PDF Document is generated from our Online Catalog. Please find the complete data in the user's documentation. Our General Terms of Use for Downloads are valid (<http://phoenixcontact.com/download>)



RJ45 connector, degree of protection: IP67, number of positions: 8, 10 Gbps, CAT6_A, material: PA, connection method: Crimp connection, connection cross section: AWG 24- 27, cable outlet: straight, color: black



Key Commercial Data

Packing unit	1 pc
GTIN	 4 055626 028323
GTIN	4055626028323

Technical data

Mechanical characteristics

Number of positions	8
Connection profile	RJ45
Insertion/withdrawal cycles	≥ 1000
Connection method	Crimp connection
Type of contact	Crimp contacts
Conductor cross section	0.1 mm ² ... 0.2 mm ² (flexible)
Connection cross section AWG	24 ... 27 (flexible)
External cable diameter	5 mm ... 8.5 mm
Cable outlet	straight
Color	black
Degree of protection	IP67
Type	RJ45, IP67, version 6
No. of cable outlets	1

Ambient conditions

Ambient temperature (operation)	-25 °C ... 60 °C
---------------------------------	------------------

RJ45 connector - CUC-V06-C1PBK-S/R4CEA:1 - 1414410

Technical data

Material data

Flammability rating according to UL 94	V0
Housing material	PA
Contact carrier material	PC
Contact material	Phosphor bronze
Contact surface material	Gold
O-ring material	FPM
Cable seal material	NBR
Height	53 mm

Electrical characteristics

Number of positions	8
Nominal voltage U_N	72 V (DC)
Nominal current I_N	1.75 A
Transmission characteristics (category)	CAT6 _A
GRP transmission properties	CAT6 _A CAT6 _A
Transmission speed	10 Gbps (500 MHz)
Frequency range	to 500 MHz
Rated current	1 A
Overvoltage category	I
Degree of pollution	2
Rated voltage (III/3)	72 V (DC)

Standards and Regulations

Flammability rating according to UL 94	V0
--	----

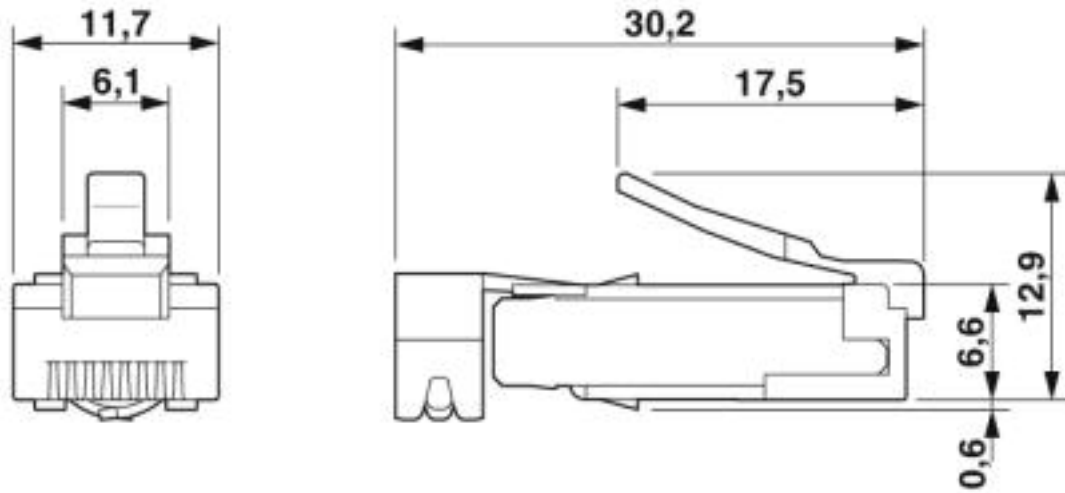
Environmental Product Compliance

China RoHS	Environmentally friendly use period: unlimited = EFUP-e
	No hazardous substances above threshold values

Drawings

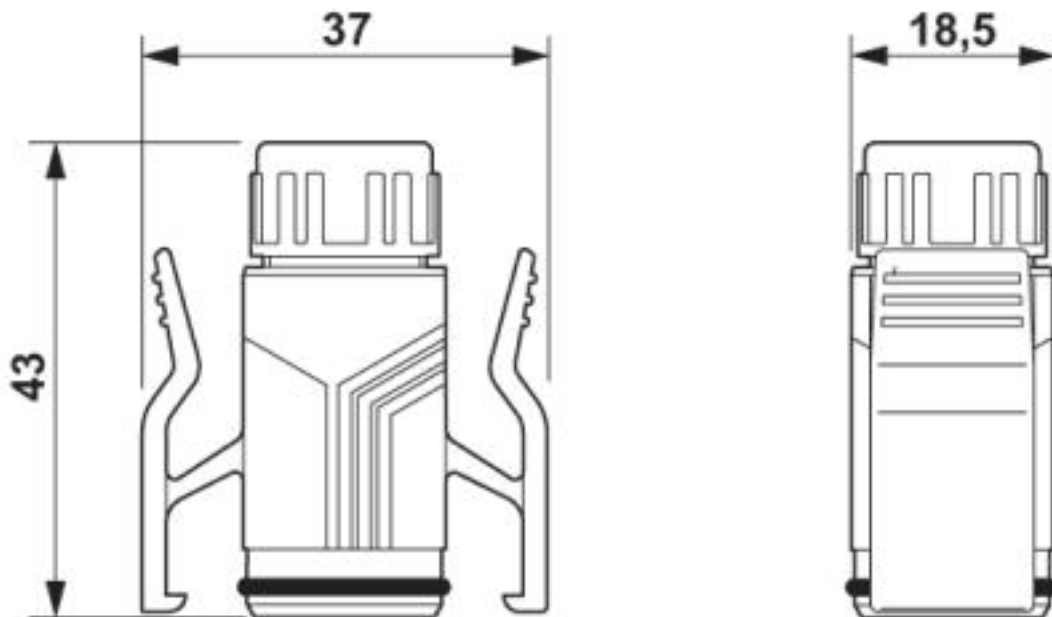
RJ45 connector - CUC-V06-C1PBK-S/R4CEA:1 - 1414410

Dimensional drawing



Male insert

Dimensional drawing



RJ45 sleeve housing IP67

Approvals

Approvals

Approvals

EAC

RJ45 connector - CUC-V06-C1PBK-S/R4CEA:1 - 1414410

Approvals

Ex Approvals

Approval details

EAC		B.01742
-----	---	---------

Phoenix Contact 2019 © - all rights reserved
<http://www.phoenixcontact.com>

PHOENIX CONTACT GmbH & Co. KG
Flachmarktstr. 8
32825 Blomberg
Germany
Tel. +49 5235 300
Fax +49 5235 3 41200
<http://www.phoenixcontact.com>