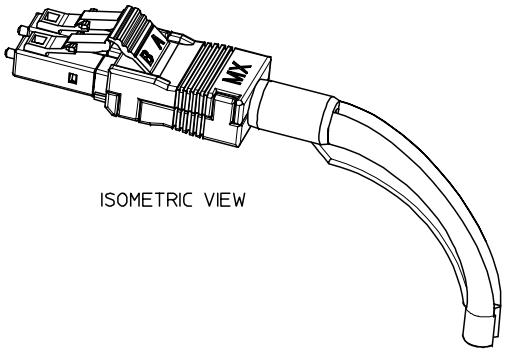
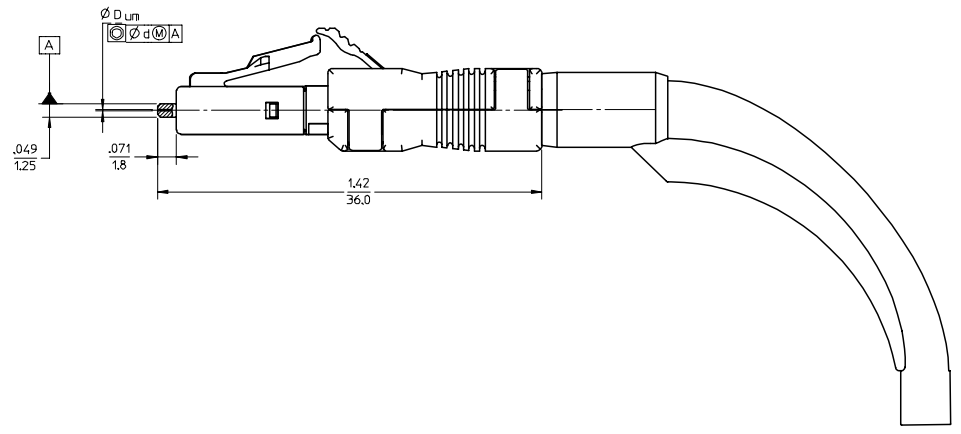
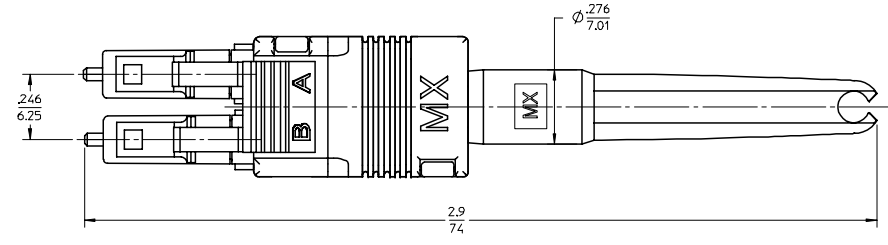
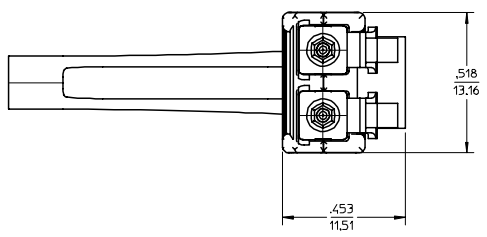


| CONNECTOR P/N | CABLE TYPE  | Ø D (µm)                           | Ø d (µm) | COLOR |
|---------------|-------------|------------------------------------|----------|-------|
| 106025-2370   | SINGLE MODE | 125.5 <sup>+0.5</sup> <sub>0</sub> | 1.0      | BLUE  |
| 106025-2380   | MULTIMODE   | 127.0 <sup>+0.5</sup> <sub>0</sub> | 3.0      | BEIGE |



ISOMETRIC VIEW

NOTES:  
 1. ALL DIMENSIONS ARE FOR REFERENCE ONLY.  
 2. DUST CAPS ARE NOT SHOWN.

|                                                                                                                                        |                 |                                       |      |                 |                                             |                                                                                                                                              |                                                      |                                                                                                                               |  |
|----------------------------------------------------------------------------------------------------------------------------------------|-----------------|---------------------------------------|------|-----------------|---------------------------------------------|----------------------------------------------------------------------------------------------------------------------------------------------|------------------------------------------------------|-------------------------------------------------------------------------------------------------------------------------------|--|
| ENTER DESCRIPTION<br>EC NO: MF2008-0070<br>DRAWN: YBEDNYAK 2007/08/30<br>CHKD: 2007/08/30<br>APPR: IGUMIN 2007/09/05<br>REVISIONS<br>A | QUALITY SYMBOLS | GENERAL TOLERANCES (UNLESS SPECIFIED) |      | DIMENSION STYLE |                                             | SCALE                                                                                                                                        | DESIGN UNITS                                         | THIRD ANGLE PROJECTION                                                                                                        |  |
|                                                                                                                                        | ▽=0<br>▽=0      | mm                                    | INCH | IN/MM           |                                             | DRAWN BY<br>YBEDNYAK<br>CHECKED BY<br>DATE<br>DATE<br>APPROVED BY<br>IGUMIN<br>DATE<br>2007/03/21<br>2007/03/21<br>MATERIAL NO.<br>SEE TABLE | 3:1<br>INCH                                          | LCD DOUBLE CONNECTOR<br>(DUAL LINK CABLE)<br>90 DEG. BOOT                                                                     |  |
|                                                                                                                                        |                 | 4 PLACES                              | ±    | ±               |                                             |                                                                                                                                              |                                                      |                                                                                                                               |  |
|                                                                                                                                        |                 | 3 PLACES                              | ±    | ±               |                                             |                                                                                                                                              |                                                      |                                                                                                                               |  |
| 2 PLACES                                                                                                                               | ±               | ±                                     |      |                 | APPROVED BY<br>IGUMIN<br>DATE<br>2007/03/21 |                                                                                                                                              | MOLEX INCORPORATED<br>DOCUMENT NO.<br>SD-106025-2370 |                                                                                                                               |  |
| DRAFT WHERE APPLICABLE MUST REMAIN WITHIN DIMENSIONS                                                                                   |                 | ANGULAR ±---°                         |      | SIZE C          |                                             | SHEET NO. 1 OF 1                                                                                                                             |                                                      | THIS DRAWING CONTAINS INFORMATION THAT IS PROPRIETARY TO MOLEX INCORPORATED AND SHOULD NOT BE USED WITHOUT WRITTEN PERMISSION |  |