

NOTES

1. MATERIAL

HOUSING	LIQUID CRYSTAL POLYMER GLASS FILLED,UL94V-0(BEIGE)	4. FITTING NAIL FOR PREVENTION OF PEELING OF P.C.B. PATTERN.
ACTUATOR	PPS GLASS FILLED, UL94V-0(BLACK)	5. R0.3 MUST NOT BE OVERLAPPED TO PATTERN OF FPC/FFC.
TERMINAL	PHOSPHOR BRONZE	6. N: CIRCUIT.
FITTING NAIL	PHOSPHOR BRONZE	7. ELV AND RoHS COMPLIANT
2. PLATING

TERMINAL	CONTACT AREA : SEPARATED GOLD PLATING (0.05 MICROMETER MINIMUM) SOLDER TAIL AREA : SEPARATED GOLD PLATING UNDERPLATE : NICKEL OVERALL (1.0 MICROMETER MINIMUM)	8. TAILS AND NAILS COPLANALITY TO BE 0.1mm MAX.
FITTING NAIL	TIN PLATING (1.0 MICROMETER MIN.) UNDER PLATING : NICKEL PLATING (1.0 MICROMETER MIN.)	
3. IN THE PACKAGE, ACTUATOR OF PART 104060-**10 SHOULD BE CLOSED.

40.55	43.1	39.5	44.7	104060-8010	104060-8017	80
30.55	33.1	29.5	34.7	104060-6010	104060-6017	60
D	C	B	A	MATERIAL NO.	EMBOSSED PACKAGE	CIRCUIT

CONNECTOR SERIES No. 104060-***10

REVISED EC NO: KOR2016-0118 DRWN:YRK/IM 2016/05/27 CHKD:SK/IM 2016/05/30 APPR:YSK/IM02 2016/05/31	DESCRIPTION REV	QUALITY SYMBOLS	GENERAL TOLERANCES (UNLESS SPECIFIED)	DIMENSION STYLE	SCALE	DESIGN UNITS	THIRD ANGLE PROJECTION		
		▽=0	◇=0	mm INCH	MM ONLY	1:1	METRIC	⊙ □	
		4 PLACES ± --- ± ---	3 PLACES ± --- ± ---	DRAWN BY DATE	YR.KIM 2009/06/26	TITLE 0.5 FFC E/O DUAL CONTACT HOUSING ASS'Y			
		2 PLACES ± --- ± ---	1 PLACE ± 0.3 ± ---	CHECKED BY DATE	YS00.KIM 2009/06/26				
ANGULAR ± 1 °				APPROVED BY DATE	MOLEX INCORPORATED				
DRAFT WHERE APPLICABLE MUST REMAIN WITHIN DIMENSIONS				MATERIAL NO.	DOCUMENT NO.		SHEET NO.		
				SIZE	SD-104060-001				
				A3	1 OF 3				
THIS DRAWING CONTAINS INFORMATION THAT IS PROPRIETARY TO MOLEX INCORPORATED AND SHOULD NOT BE USED WITHOUT WRITTEN PERMISSION									

10 9 8 7 6 5 4 3 2 1

F

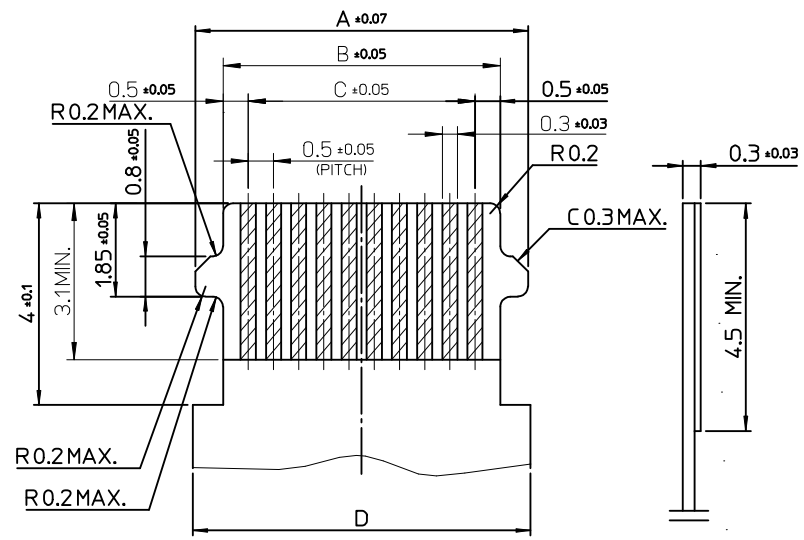
E

D

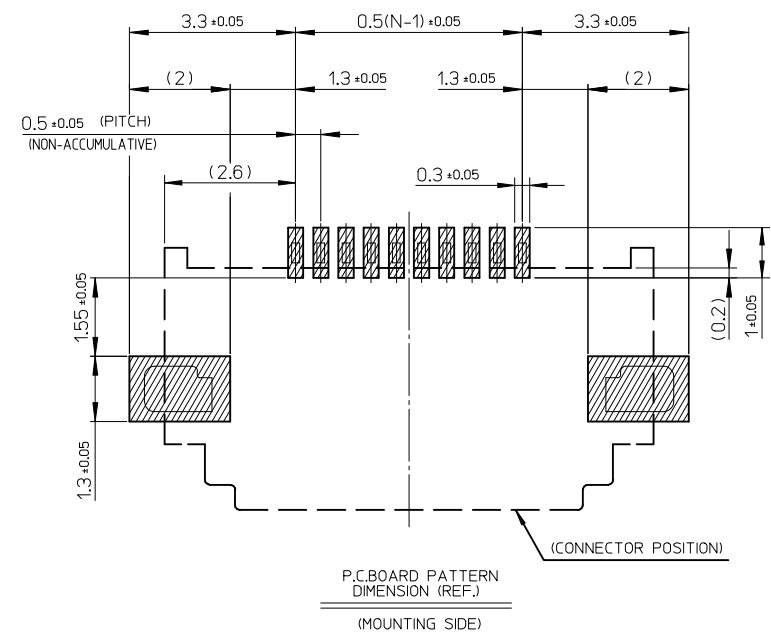
C

B

A



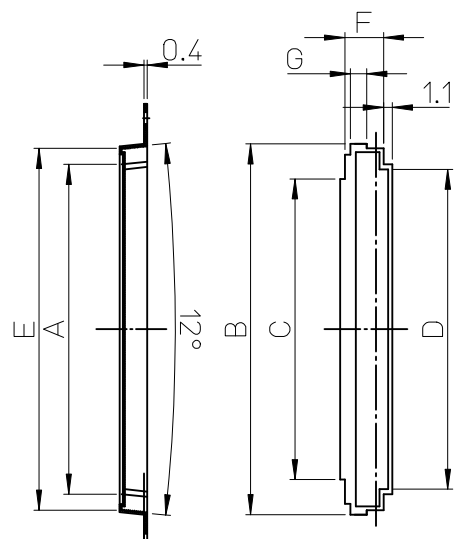
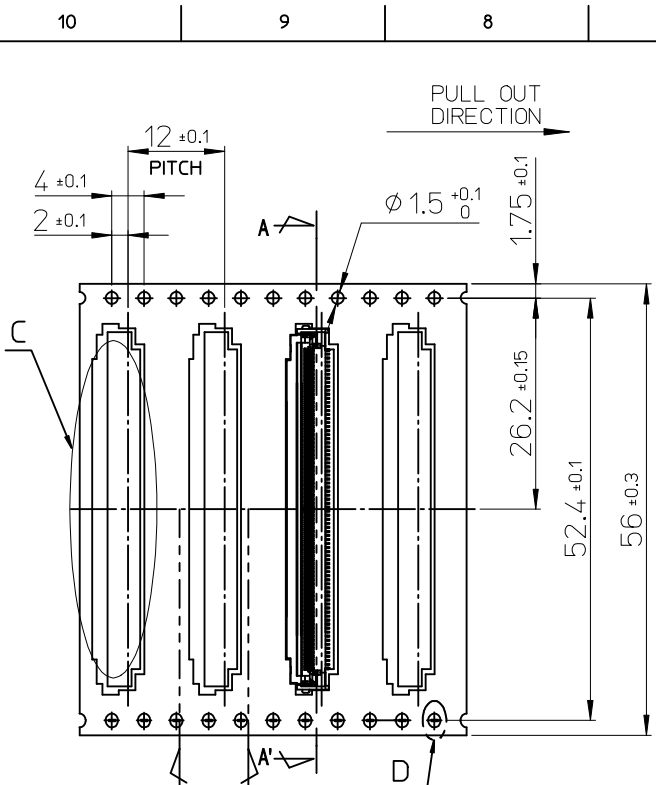
APPLICABLE FPC/FFC
RECOMMENDED DIMENSION



42.3	39.5	40.5	42.2	80
32.3	29.5	30.5	32.2	60
D	C	B	A	CIRCUIT

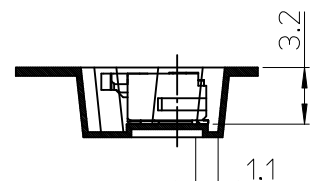
REVISED EC NO: KOR2016-0118 DRWN:YRKIM 2016/05/27 CHKD:KSKIM 2016/05/30 APPR:YSKIM02 2016/05/31	QUALITY SYMBOLS	GENERAL TOLERANCES (UNLESS SPECIFIED)	DIMENSION STYLE	SCALE	DESIGN UNITS	THIRD ANGLE PROJECTION															
	$\nabla = 0$ $\text{C} = 0$	<table border="1"> <tr> <td></td> <td>mm</td> <td>INCH</td> </tr> <tr> <td>4 PLACES</td> <td>$\pm \text{---}$</td> <td>$\pm \text{---}$</td> </tr> <tr> <td>3 PLACES</td> <td>$\pm \text{---}$</td> <td>$\pm \text{---}$</td> </tr> <tr> <td>2 PLACES</td> <td>$\pm \text{---}$</td> <td>$\pm \text{---}$</td> </tr> <tr> <td>1 PLACE</td> <td>± 0.3</td> <td>$\pm \text{---}$</td> </tr> </table>		mm	INCH	4 PLACES	$\pm \text{---}$	$\pm \text{---}$	3 PLACES	$\pm \text{---}$	$\pm \text{---}$	2 PLACES	$\pm \text{---}$	$\pm \text{---}$	1 PLACE	± 0.3	$\pm \text{---}$	MM ONLY	1:1	METRIC	
		mm	INCH																		
	4 PLACES	$\pm \text{---}$	$\pm \text{---}$																		
3 PLACES	$\pm \text{---}$	$\pm \text{---}$																			
2 PLACES	$\pm \text{---}$	$\pm \text{---}$																			
1 PLACE	± 0.3	$\pm \text{---}$																			
DESCRIPTION	ANGULAR $\pm 1^\circ$ DRAFT WHERE APPLICABLE MUST REMAIN WITHIN DIMENSIONS	DRAWN BY: YR.KIM CHECKED BY: YS00.KIM APPROVED BY: YS00.KIM MATERIAL NO.	DATE: 2009/06/26 DATE: 2009/06/26 DATE: 2009/06/26	TITLE: 0.5 FFC E/O DUAL CONTACT HOUSING ASS'Y MOLEX INCORPORATED DOCUMENT NO. SD-104060-001																	
REV	SIZE	THIS DRAWING CONTAINS INFORMATION THAT IS PROPRIETARY TO MOLEX INCORPORATED AND SHOULD NOT BE USED WITHOUT WRITTEN PERMISSION																			

9 8 7 6 5 4 3 2 1

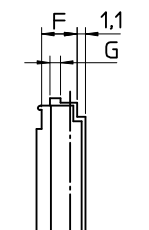


SECTION A-A'

DETAIL C



SECTION B-B'
(SCALE 2/1)

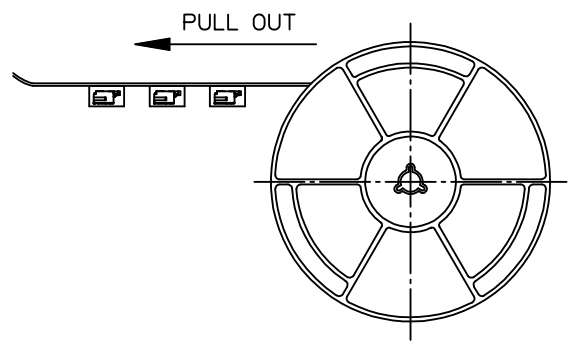


DETAIL D
(SCALE 2/1)

NOTES

1. NUMBER OF CONNECTORS : 2,400PCS/REEL
2. LEAD TAPE LENGTH
3. FOR DIMENSIONS OF PRODUCT, REFER TO SD-104060-001.
4. MATERIAL
 CARRIER TAPE : POLYETHYLENE TEREPHTHALATE
 TOP TAPE : POLYETHYLENE TEREPHTHALATE , POLYETHYLENE
 REEL : POLYSTYRENE<RECYCLE MATERIAL CONTAINED>
5. ELV AND RoHS COMPLIANT
6. PEELING OFF FORCE OF COVER TAPE : 0.1N~0.59N(10.2GF~60GF)
 (PEELING DIRECTION AS SHOW IN FOLLOW FIG.)
 PEELING OFF SPEED : 300mm/Min.(Ref.)

104060-6099



35902-0021	104060-8099	2.0	4.8	44.9	39.7	37.3	46	44.9	104060-8017	80
35902-0021	104060-6099	1.4	4.7	34.65	29.7	27.7	35.8	30.9	104060-6017	60
COVER TAPE	EMBOSS TAPE	G	F	E	D	C	B	A	MATERIAL NO.	CIRCUIT

REVISED EC NO: KOR2016-0118 DRWN:YRKIM 2016/05/27 CHKD:KSKIM 2016/05/30 APPR:YSKIM02 2016/05/31	QUALITY SYMBOLS	GENERAL TOLERANCES (UNLESS SPECIFIED)	DIMENSION STYLE	SCALE	DESIGN UNITS	THIRD ANGLE PROJECTION
	$\nabla=0$ $\square=0$	mm INCH 4 PLACES ± --- ± --- 3 PLACES ± --- ± --- 2 PLACES ± --- ± --- 1 PLACE ± 0.3 ± --- ANGULAR ± 1 °	MM ONLY	10:1	METRIC	
	DESCRIPTION	DRAFT WHERE APPLICABLE MUST REMAIN WITHIN DIMENSIONS	DRAWN BY: YR.KIM DATE: 2009/06/26 CHECKED BY: YS00.KIM DATE: 2009/06/26 APPROVED BY: YS00.KIM DATE: 2009/06/26	TITLE	MOLEX INCORPORATED	
	REV	SIZE	MATERIAL NO. SEE TABLE THIS DRAWING CONTAINS INFORMATION THAT IS PROPRIETARY TO MOLEX INCORPORATED AND SHOULD NOT BE USED WITHOUT WRITTEN PERMISSION	DOCUMENT NO. SD-104060-001 SHEET NO. 3 OF 3		