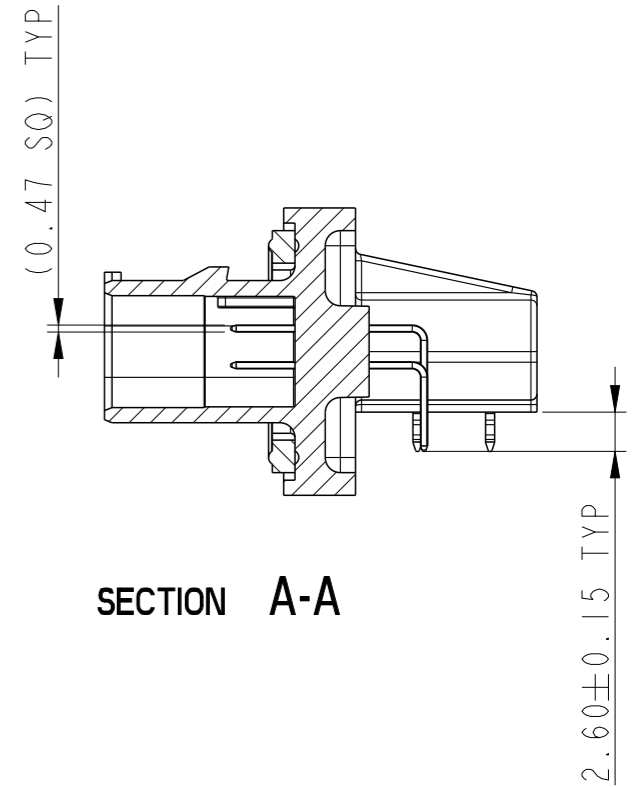
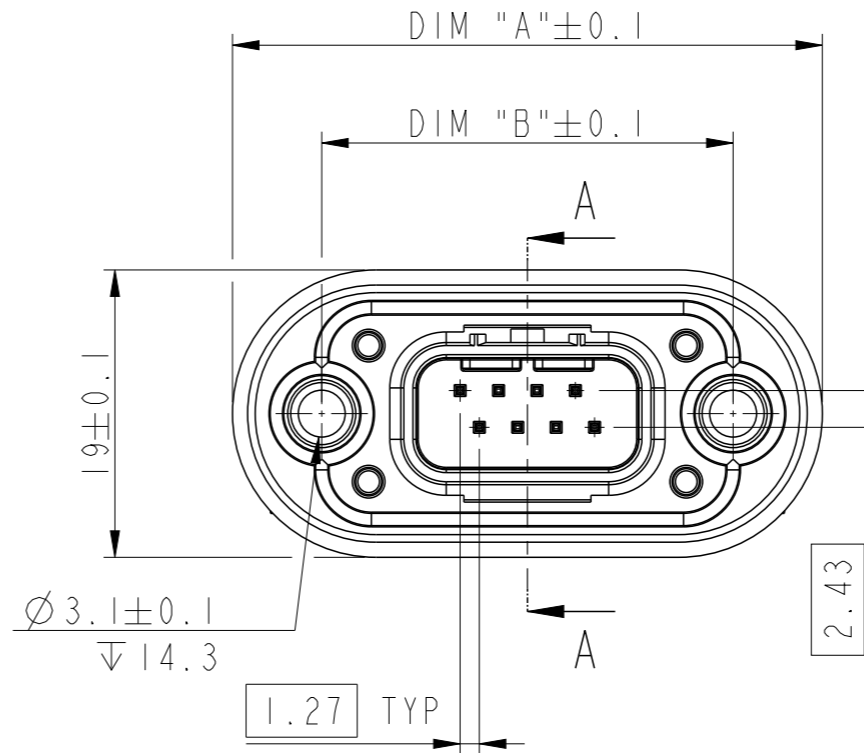


PRODUCT DESCRIPTION CODE :

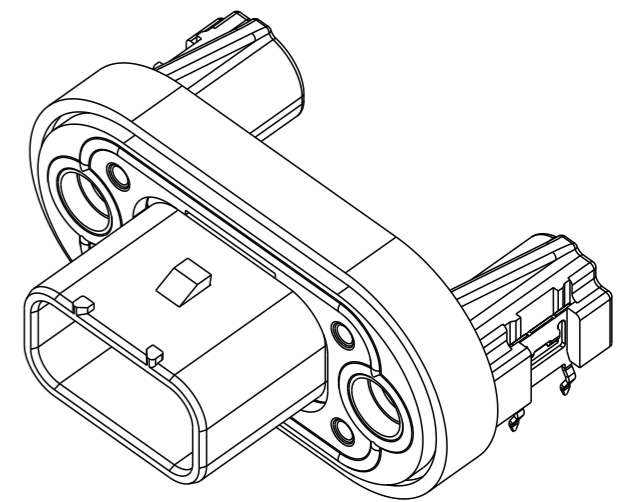
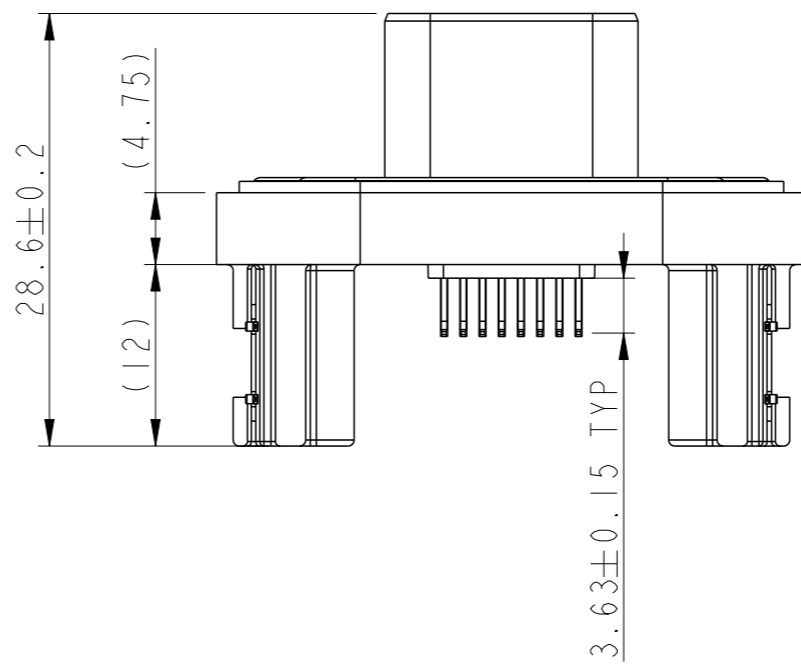
10155466-AIXXU LF

- RoHS COMPATIBLE, SEE NOTE 3
- FOR CUSTOMER CODE :
BLANK = GENERAL USE
- PACKAGING :
U = TUBE
- NUMBER OF POSITIONS : 02 TO 10
- PLATING :
1 = 3µm MIN MATTE TIN (PREPLATED)
2 = 3µm MIN MATTE TIN (POST-PLATED)
3 = 0.76µm MIN GOLD (CONTACT AREA)
ALL OVER 1.27µm MIN NICKEL UNDERLAYER
- CODING TYPE :
A = CODING A
B = CODING B
C = CODING C



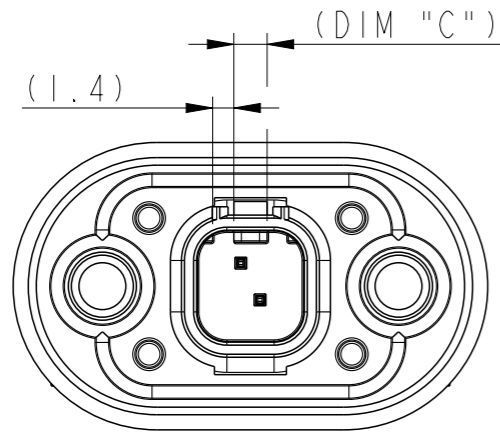
NOTES:

- 1 - MATERIAL :
HOUSING: HIGH TEMPERATURE THERMOPLASTIC
COLOR BLACK UL94 V-0
PIN: HIGH CURRENT COPPER ALLOY
SEALS: LIQUID SILICON RUBBER
- 2 - TO BE MATED WITH MINITEK MicroSpaceXS SEALED RECEPTACLE SERIES 10155470
- 3 - RoHS COMPATIBLE PRODUCT SPECIFICATIONS
 - a - PLATING:
"LF" MEANS THE PRODUCT IS LEAD FREE,
3µm MINIMUM MATTE TIN OVER 1.27µm MINIMUM NICKEL UNDERPLATE.
 - b - MANUFACTURING PROCESS COMPATIBILITY:
THE HOUSING WILL WITHSTAND EXPOSURE TO 260°C PEAK TEMPERATURE FOR 30 SECONDS MAX IN A CONVECTION, INFRA-RED OR VAPOR PHASE OR REFLOW OVEN.
 - c - LABELLING :
MEETS PACKAGING SPECS AS PER GS-14-920
 - d - LEGAL STATEMENT :
SEE GS-47-0004.

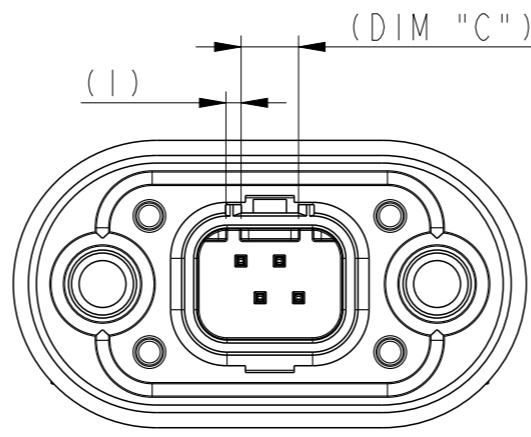


spec ref	GS-12-1634	dr	Sawanth, Ambaa	2020/06/02	projection	mm	size	A3	scale	2:1
tolerance std	ISO 406 ISO 1101	eng	Hyppias, Arnau	2020/06/26			ecn no	-	rel level	Released
surface	linear	chr	Detouillon, Da	2020/06/26			product family			
	angular	appr	Cyril Jeune	2020/06/26			dwg no	10155466	rev	A
	0.X ±0.3 0.XX ±0.10 0.XXX -	cat. no.		Product - Customer Drw		sheet 1 of 3				
	0° ±2°									

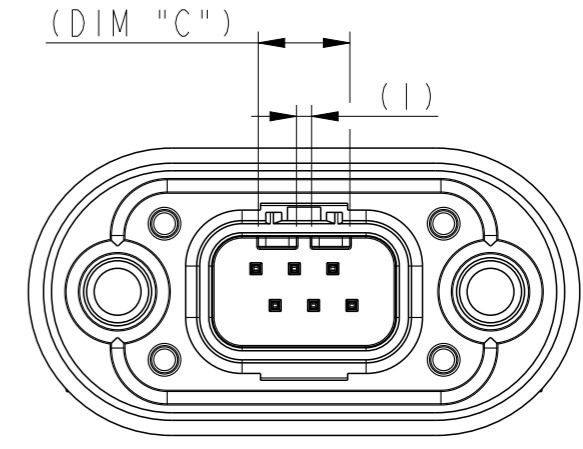
COD A VIEWS AND DIMENSIONS



FOR 02POS

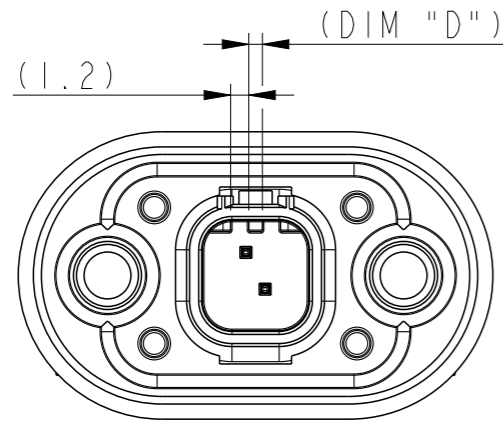


FOR 03 TO 05POS

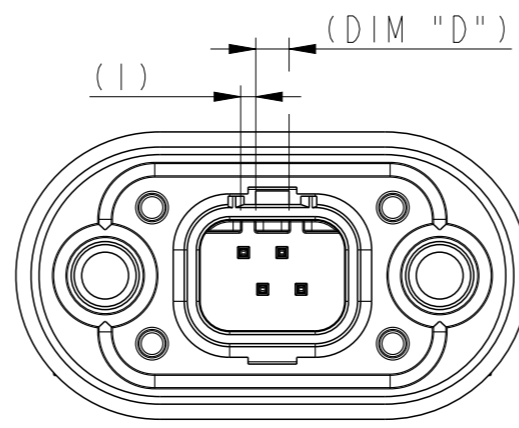


FOR 06 TO 10POS

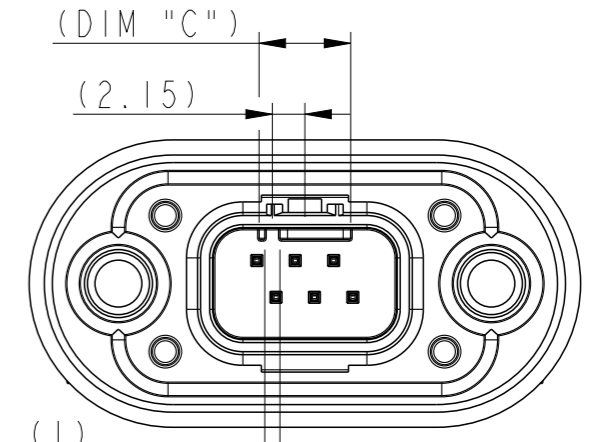
COD B VIEWS AND DIMENSIONS



FOR 02POS

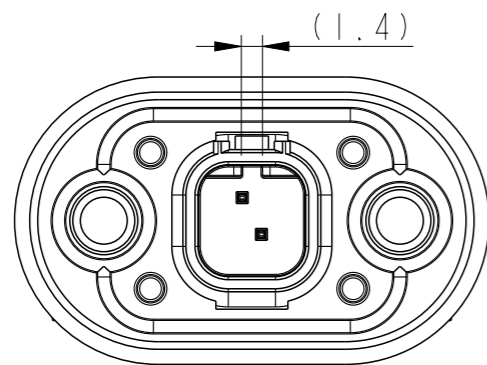


FOR 03 TO 05POS

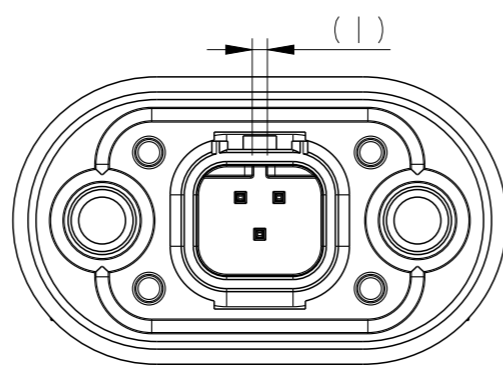


FOR 06 TO 10POS

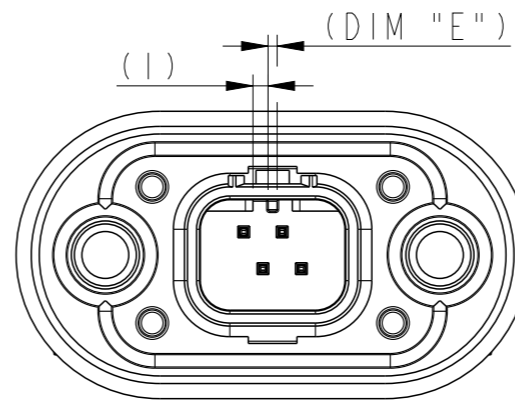
COD C VIEWS AND DIMENSIONS



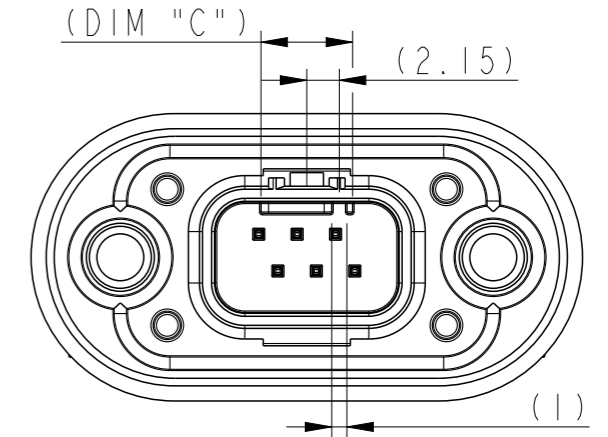
FOR 02POS



FOR 03POS



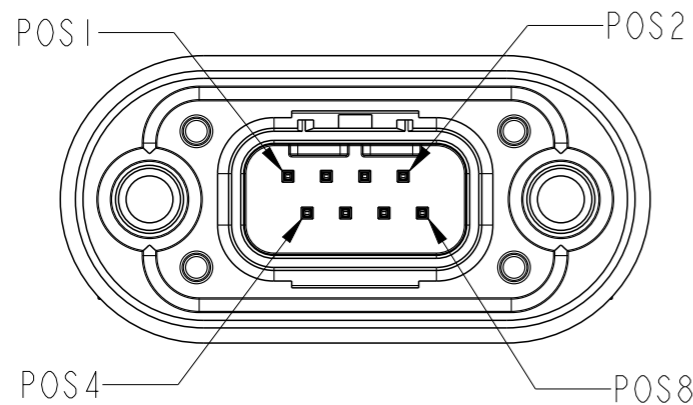
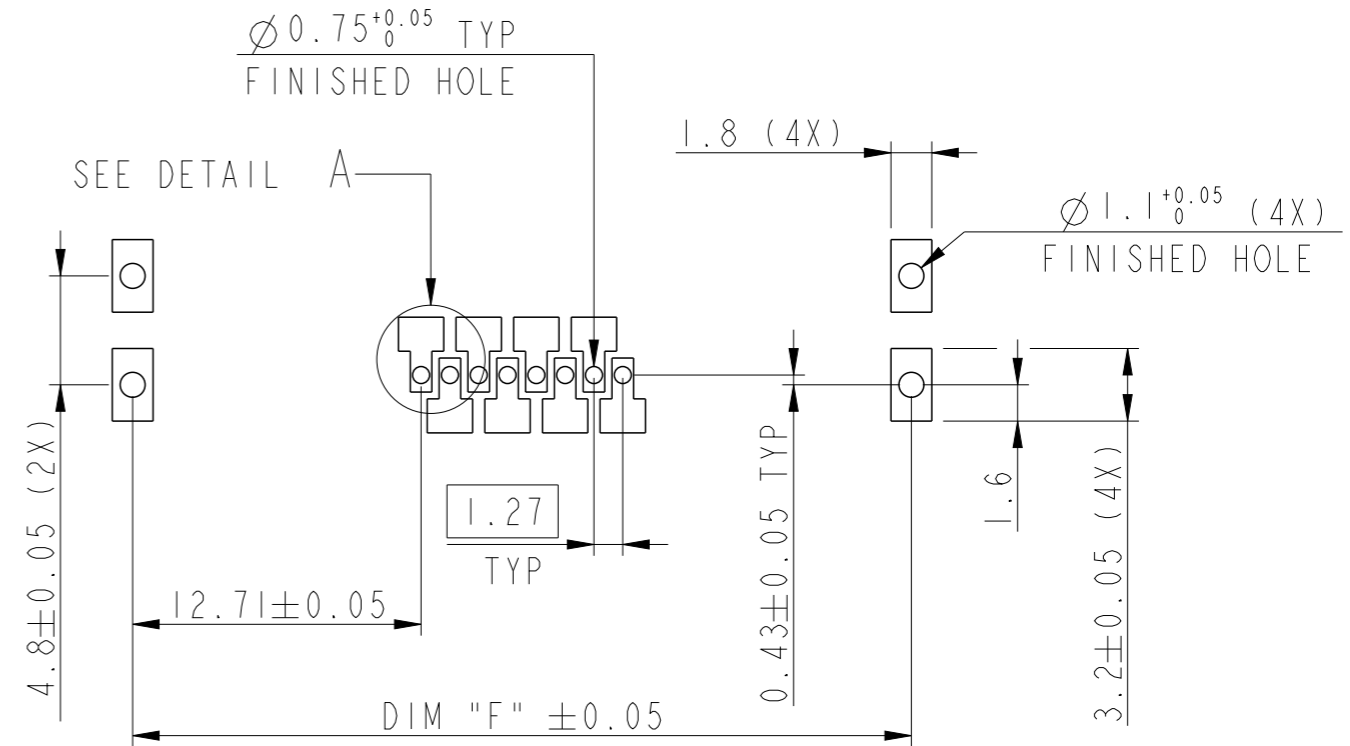
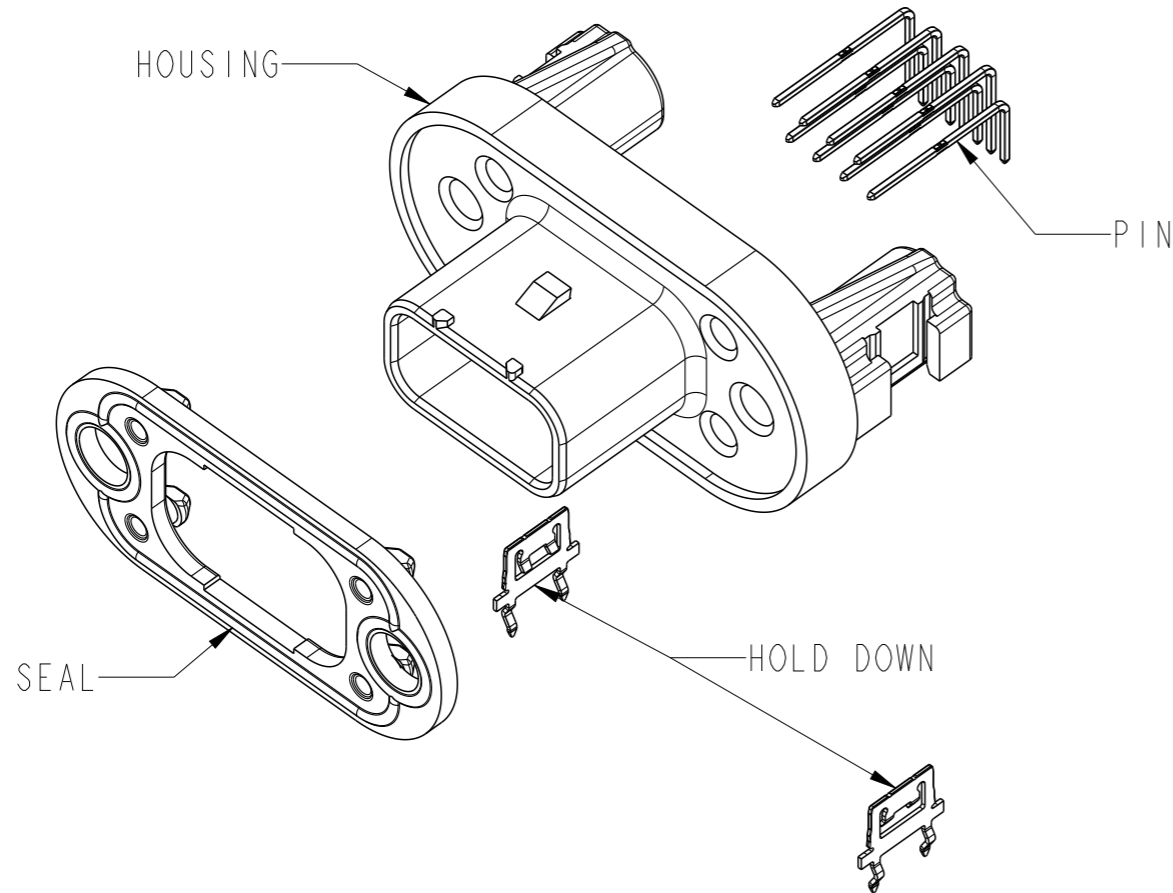
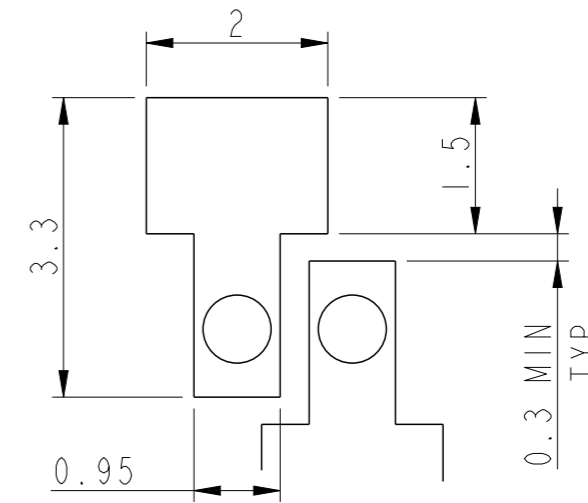
FOR 04 & 05POS



FOR 06 TO 10POS

spec ref	GS-12-1634	dr	Sawanth, Ambaa	2020/06/02	projection	mm	size	A3	scale	2:1
tolerance std	ISO 406 ISO 1101	eng	Hyppias, Arnau	2020/06/26			ecn no	-	rel level	Released
TOLERANCES UNLESS OTHERWISE SPECIFIED		chr	Detouillon, Da	2020/06/26			product family			
surface	ISO 1302	appr	Cyril Jeune	2020/06/26			dwg no	10155466	rev	A
	linear			HEADER PANEL MOUNT ASSEMBLY MINITEK MicroSpaceXS SEALED				Product - Customer Drw		sheet 2 of 3
	angular			cat. no.						

PART NO	NO. OF POS	DIM "A"	DIM "B"	DIM "C"	DIM "D"	DIM "E"	DIM "F"
10155466-A102ULF	02	31.38	19.58	2.20	0.90	N/A	26.70
10155466-A103ULF	03	32.65	20.85	2.80	1.20	N/A	27.97
10155466-A104ULF	04	33.92	22.12	3.80	2.20	0.60	29.24
10155466-A105ULF	05	35.19	23.39	4.80	3.30	1.60	30.51
10155466-A106ULF	06	36.46	24.66	6.06	N/A	N/A	31.78
10155466-A107ULF	07	37.73	25.93	7.33	N/A	N/A	33.05
10155466-A108ULF	08	39.00	27.20	8.60	N/A	N/A	34.32
10155466-A109ULF	09	40.27	28.47	9.87	N/A	N/A	35.59
10155466-A110ULF	10	41.54	29.74	11.14	N/A	N/A	36.86



spec ref	GS-12-1634	dr	Sawanth, Ambaa	2020/06/02	projection	mm	size	A3	scale	3:1
tolerance std	ISO 406 ISO 1101	eng	Hyppias, Arnau	2020/06/26			ecn no	-	rel level	Released
TOLERANCES UNLESS OTHERWISE SPECIFIED		chr	Detouillon, Da	2020/06/26						
surface	linear	0.X	±0.3	Amphenol FCI HEADER PANEL MOUNT ASSEMBLY MINITEK MicroSpaceXS SEALED cat. no.	product family	dwg no 10155466	rev A			
		0.XX	±0.10							
	angular	0°	±2°							
Product - Customer Drw						sheet 3 of 3				