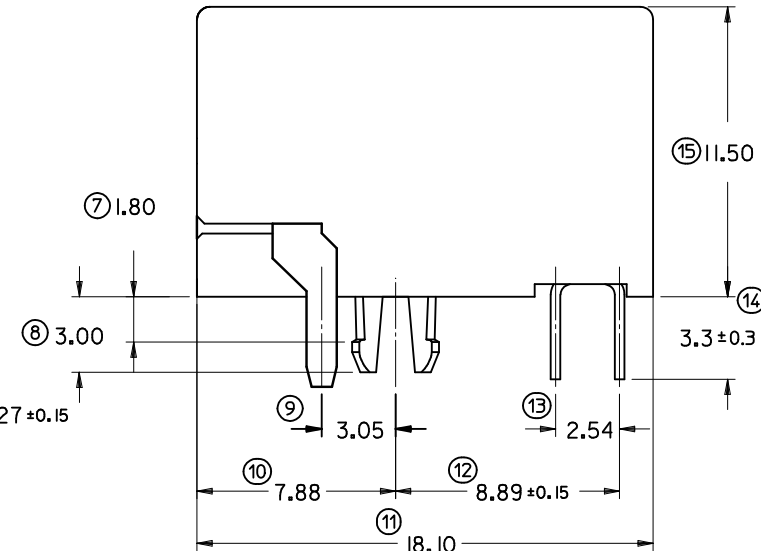
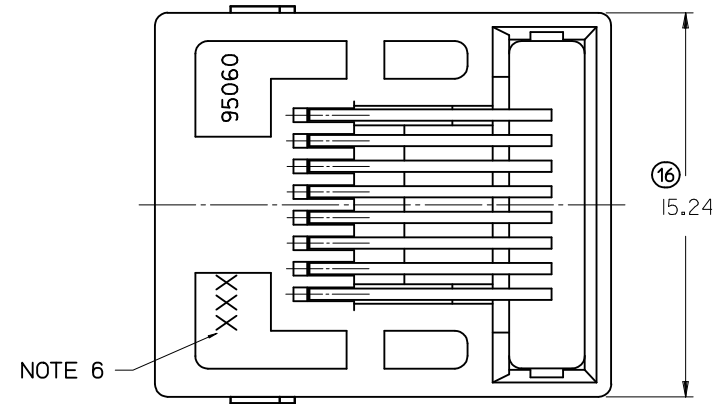
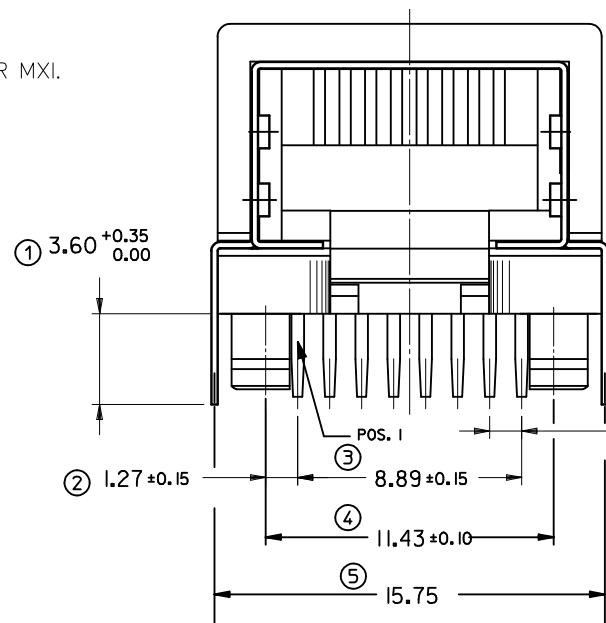
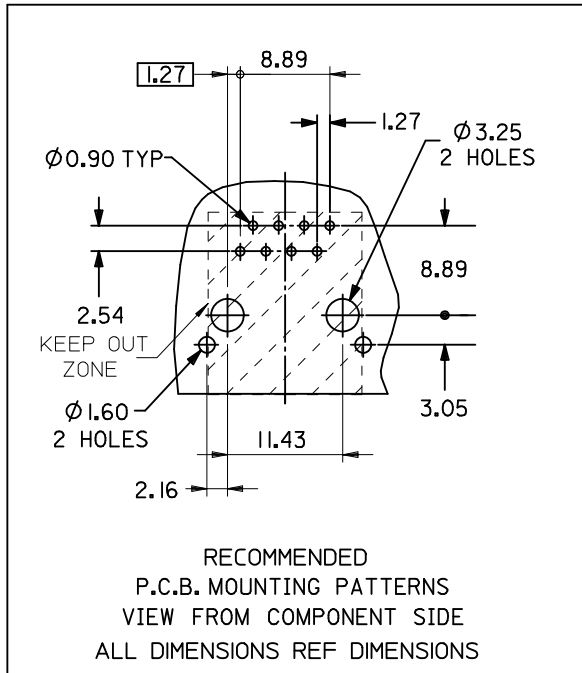


NOTES:

- 1- MATERIAL :
HOUSING : - LCP GLASS FILLED UL 94V0, COLOR: BLACK
TERMINAL : COPPER ALLOY PLATED WITH :
PLATING 2: 0.00127 MIN GOLD IN CONTACT AREA,
0.00190 MIN TIN IN TAIL AREA,
BOTH OVER 0.00127 MIN NICKEL OVERALL
PLATING 7: POST PLATE 0.00005 MIN GOLD FLASH OVER 0.00060 MIN
PALLADIUM NICKEL IN CONTACT AREA 0.00190 MIN
TIN IN TAIL AREA BOTH OVER 0.00127 MIN NICKEL OVERALL.
SHIELD : COPPER ALLOY PLATED WITH 0.0020 MIN. TIN
- 2- P.C. BOARD THICKNESS : 1.57 ±0.15
- 3- JACK FOR MATING WITH F.C.C. 68 PLUGS
95043 MOLEX SERIES.
- 4- PRODUCT SPECIFICATION: PS-95540-002
- 5- PACKAGING SPECIFICATION: MOLEX PK-95040
- 6- MANUFACTURING I.D. CAN BE EITHER MXF, MG OR MXI.
LAST INSPECTION NUMBER: 16

PART NUMBER	PLATING
95540-2881	2
95540-7881	7



ADDED OPTION EC NO: E2012-0079 DRWN: JCONNOR 2011/03/11 CHKD: 2011/09/28 APPR: EFOLAN	DESCRIPTION 2011/09/28	QUALITY SYMBOLS	GENERAL TOLERANCES (UNLESS SPECIFIED)	DIMENSION STYLE	SCALE	DESIGN UNITS	THIRD ANGLE PROJECTION	
		▽=0 □=0	mm INCH 4 PLACES ± --- ± --- 3 PLACES ± --- ± --- 2 PLACES ± 0.1 ± --- 1 PLACE ± 0.15 ± --- ANGULAR ± 1/2°	MM ONLY	5:1	METRIC	☉ □ THIRD ANGLE PROJECTION	
		DRAFT WHERE APPLICABLE MUST REMAIN WITHIN DIMENSIONS	DRAWN BY: KNOLLER CHECKED BY: FCARABET APPROVED BY: KNOLLER MATERIAL NO.	DATE: 04/06/18 DATE: 04/08/28 DATE: 04/06/29	TITLE: RIGHT ANGLE LOW PROFILE SHIELDED PC JACK (THROUGH HOLE VERSION)	MOLEX INCORPORATED	DOCUMENT NO. SD-95540-001	SHEET NO. 1 OF 3
		SIZE: A3 THIS DRAWING CONTAINS INFORMATION THAT IS PROPRIETARY TO MOLEX INCORPORATED AND SHOULD NOT BE USED WITHOUT WRITTEN PERMISSION						