

LIGHT-PIPE ASSEMBLY
SHOWN ASSEMBLED TO
IPASS CONNECTOR
(SEE NOTE 3)

NOTES :

1. MATERIALS:

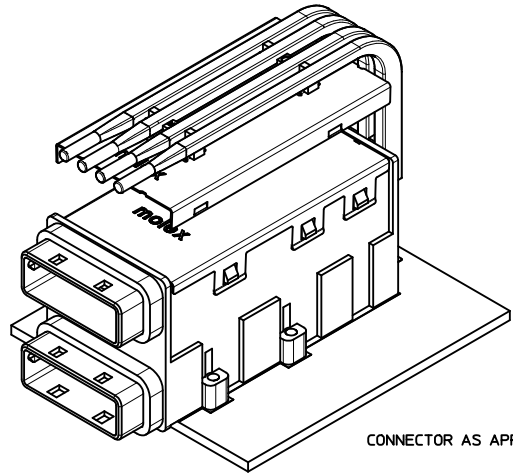
LIGHT PIPES: POLYCARBONATE, CLEAR.

MOUNTING BRACKET: STAINLESS STEEL ALLOY.

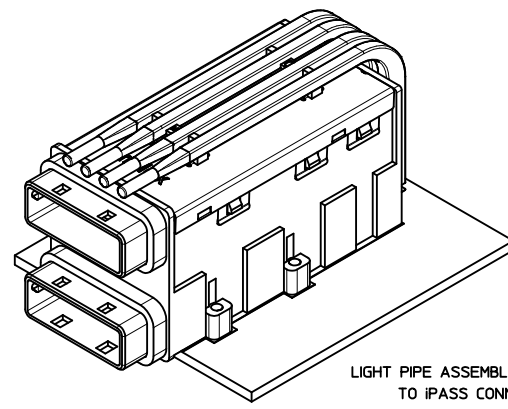
2. LIGHT PIPE ASSEMBLY #170416-0101 IS ATTACHED TO THE COVER OF CONNECTOR ASSEMBLIES 75758-0101 THRU 75758-0111 BY THE CUSTOMER.

3. IPASS CONNECTOR ASSEMBLIES 75758-0101 THRU 75758-0111 ARE SOLD SEPARATELY AND SHOWN FOR REFERENCE ONLY. SEE SALES DRAWING: SD-75758-010.

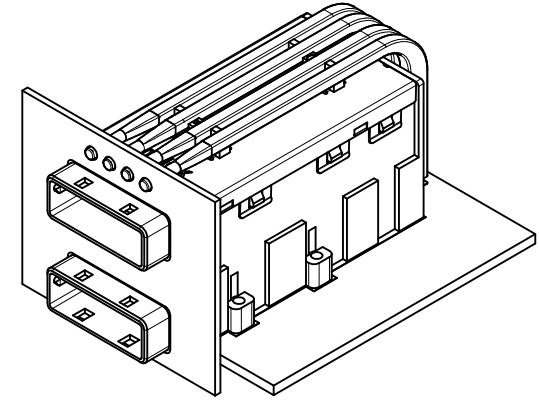
RELEASED EIC NO: UCP2012-1063 DRAWN BY: SBGJEL CHKD: MBANAKIS APPR: MBANAKIS DATE: 2011/09/19 2011/10/20	QUALITY SYMBOLS	GENERAL TOLERANCES (UNLESS SPECIFIED)	DIMENSION STYLE	SCALE	DESIGN UNITS	THIRD ANGLE PROJECTION
	▽=0	4 PLACES ± 0.15	MM ONLY	2:1	METRIC	ASSEMBLY, LIGHT PIPE FOR IPASS 26X26 STACKED 2X1
	▽=0	3 PLACES ± 0.13				MOLEX INCORPORATED
	▽=0	2 PLACES ± 0.25				SD-170416-0101
		ANGULAR ±1/2°				
		DRAFT WHERE APPLICABLE MUST REMAIN WITHIN DIMENSIONS				
			SIZE D			



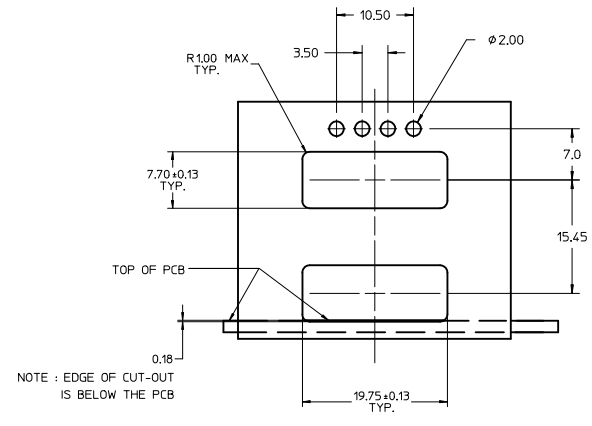
CONNECTOR AS APPLIED TO PCB



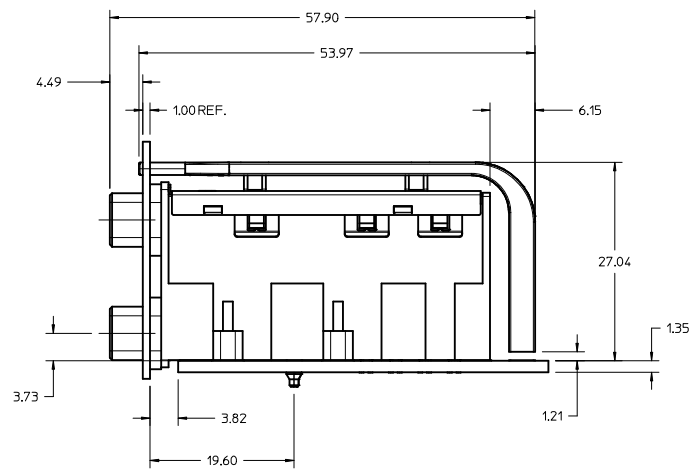
LIGHT PIPE ASSEMBLY AS APPLIED TO iPASS CONNECTOR



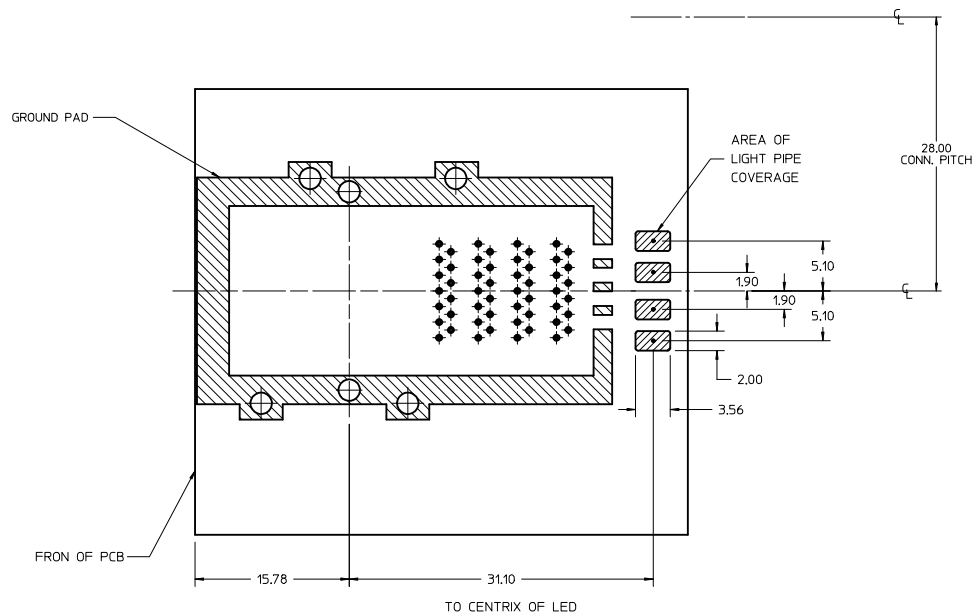
CONNECTOR ASSEMBLY FULLY ASSEMBLED AS INSTALLED IN PANEL



RECOMMENDED MOUNTING PANEL CUT-OUT (SUPPLIED BY CUSTOMER)



SEE SHEET 1 IEC NO: UCP2012-063 DRAWN: SBGIEL CHKD: MBANKIS APPR: MBANKIS DATE: 2011/09/19 DATE: 2011/10/20	QUALITY SYMBOLS	GENERAL TOLERANCES (UNLESS SPECIFIED)	DIMENSION STYLE	SCALE	DESIGN UNITS	THIRD ANGLE PROJECTION
	▽=0 ▽=0	mm INCH 4 PLACES ± --- ± --- 3 PLACES ± --- ± --- 2 PLACES ± 0.13 ± --- 1 PLACE ± 0.25 ± --- ANGULAR ± 1/2°	MM ONLY	3:1	METRIC	▽=0 ▽=0
	DRAFT WHERE APPLICABLE MUST REMAIN WITHIN DIMENSIONS	DRAWN BY: SBGIEL CHECKED BY: MBANKIS DATE: 2011/09/19 DATE: 2011/10/20	MATERIAL NO: 75758-010* DOCUMENT NO: SD-170416-0101	TITLE: ASSEMBLY, LIGHT PIPE FOR IPASS 26X26 STACKED 2X1 MOLEX INCORPORATED	SHEET NO: 2 OF 3	
	THIS DRAWING CONTAINS INFORMATION THAT IS PROPRIETARY TO MOLEX INCORPORATED AND SHOULD NOT BE USED WITHOUT WRITTEN PERMISSION					



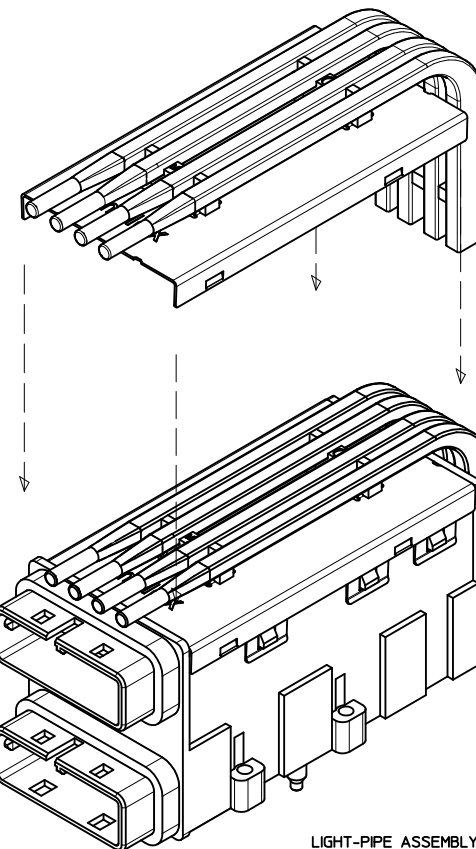
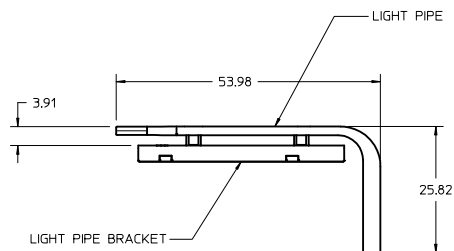
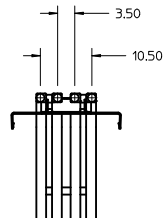
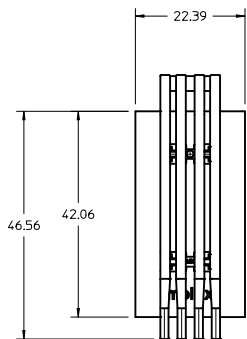
RECOMMENDED PCB LAYOUT

THICKNESS = 1.35mm MIN.

NOTE:

1. DIMENSIONS SHOWN ARE FOR LED PLACEMENT ONLY.
SEE SALES DRAWING SD-75758-010 FOR DETAILED
PCB LAYOUT AND SPECIFICATIONS.

SEE SHEET 1 IEC NO: UCP2012-1063 DRAWN: SBOGIEL CHKD: APPROVED: MBANKIS DATE: 2011/09/19 DATE: 2011/10/20	QUALITY SYMBOLS	GENERAL TOLERANCES (UNLESS SPECIFIED)	DIMENSION STYLE	SCALE	DESIGN UNITS	THIRD ANGLE PROJECTION
	▽=0 ▽=0	mm INCH 4 PLACES ±.--- ±.--- 3 PLACES ±.--- ±.--- 2 PLACES ±0.13 ±.--- 1 PLACE ±0.25 ±.--- ANGULAR ±1/2°	MM ONLY DRAWN BY: SBOGIEL DATE: 2011/09/19 CHECKED BY: DATE:	2:1	METRIC	ASSEMBLY, LIGHT PIPE FOR IPASS 26X26 STACKED 2X1 MOLEX INCORPORATED
	DRAFT WHERE APPLICABLE MUST REMAIN WITHIN DIMENSIONS	MATERIAL NO. 75758-010* DOCUMENT NO. SD-170416-0101	APPROVED BY: MBANKIS DATE: 2011/10/20 DATE:			SHEET NO. 3 OF 3
		SIZE D THIS DRAWING CONTAINS INFORMATION THAT IS PROPRIETARY TO MOLEX INCORPORATED AND SHOULD NOT BE USED WITHOUT WRITTEN PERMISSION				



LIGHT-PIPE ASSEMBLY
SHOWN ASSEMBLED TO
IPASS CONNECTOR
(SEE NOTE 3)

NOTES :

1. MATERIALS:

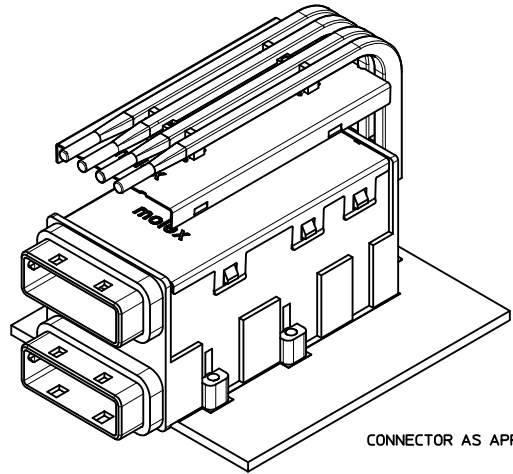
LIGHT PIPES: POLYCARBONATE, CLEAR.

MOUNTING BRACKET: STAINLESS STEEL ALLOY.

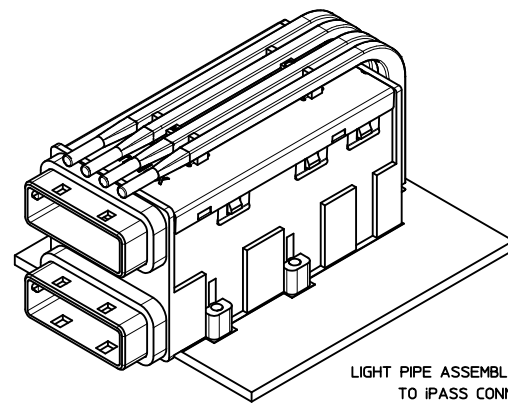
2. LIGHT PIPE ASSEMBLY #170416-0101 IS ATTACHED TO THE COVER OF CONNECTOR ASSEMBLIES 75758-0101 THRU 75758-0111 BY THE CUSTOMER.

3. IPASS CONNECTOR ASSEMBLIES 75758-0101 THRU 75758-0111 ARE SOLD SEPARATELY AND SHOWN FOR REFERENCE ONLY. SEE SALES DRAWING: SD-75758-010.

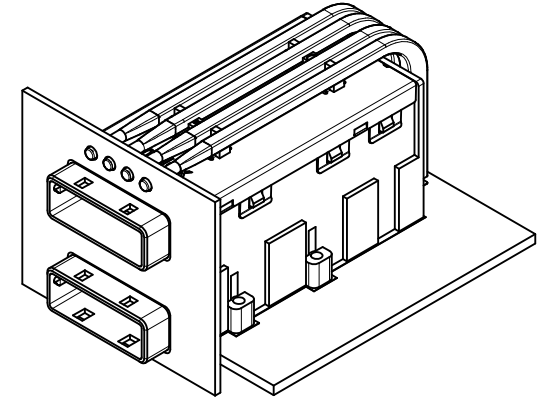
RELEASED EIC NO: UCP2012-1063 DRAWN BY: SBGJEL CHKD: MBANAKIS APPR: MBANAKIS 2011/09/19 2011/10/20	QUALITY SYMBOLS	GENERAL TOLERANCES (UNLESS SPECIFIED)	DIMENSION STYLE	SCALE	DESIGN UNITS	THIRD ANGLE PROJECTION
	▽=0	4 PLACES ± 0.13	MM ONLY	2:1	METRIC	ASSEMBLY, LIGHT PIPE FOR IPASS 26X26 STACKED 2X1
	▽=0	3 PLACES ± 0.25				MOLEX INCORPORATED
	▽=0	1 PLACE ± 0.25				SD-170416-0101
		ANGULAR ±1/2°				
		DRAFT WHERE APPLICABLE MUST REMAIN WITHIN DIMENSIONS				
			SIZE D			



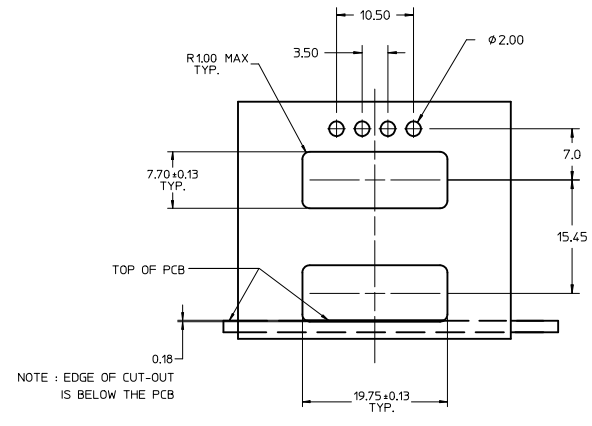
CONNECTOR AS APPLIED TO PCB



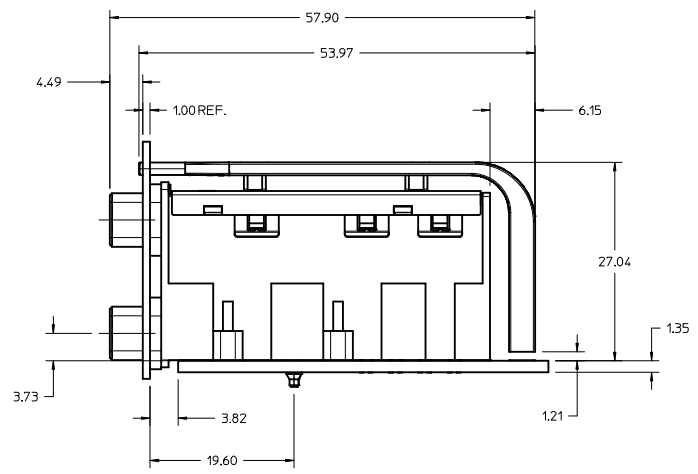
LIGHT PIPE ASSEMBLY AS APPLIED TO iPASS CONNECTOR



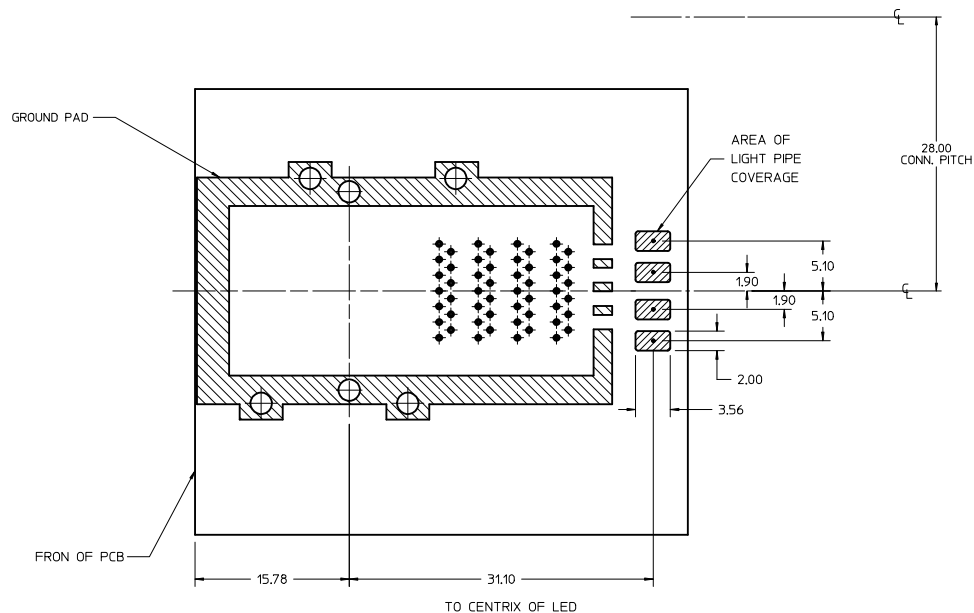
CONNECTOR ASSEMBLY FULLY ASSEMBLED AS INSTALLED IN PANEL



RECOMMENDED MOUNTING PANEL CUT-OUT (SUPPLIED BY CUSTOMER)



SEE SHEET 1 IEC NO: UCP2012-063 DRAWN: SBGIEL CHKD: MBANKIS APPR: MBANKIS DATE: 2011/09/19 DATE: 2011/10/20	QUALITY SYMBOLS	GENERAL TOLERANCES (UNLESS SPECIFIED)	DIMENSION STYLE	SCALE	DESIGN UNITS	THIRD ANGLE PROJECTION
	▽=0 ▽=0	mm INCH 4 PLACES ± --- ± --- 3 PLACES ± --- ± --- 2 PLACES ± 0.13 ± --- 1 PLACE ± 0.25 ± --- ANGULAR ± 1/2°	MM ONLY	3:1	METRIC	▽ ▽
	DRAFT WHERE APPLICABLE MUST REMAIN WITHIN DIMENSIONS	DRAWN BY: SBGIEL CHECKED BY: MBANKIS APPROVED BY: MBANKIS DATE: 2011/09/19 DATE: 2011/10/20	MATERIAL NO: 75758-010* DOCUMENT NO: SD-170416-0101	TITLE: ASSEMBLY, LIGHT PIPE FOR IPASS 26X26 STACKED 2X1 MOLEX INCORPORATED	SHEET NO: 2 OF 3	
	THIS DRAWING CONTAINS INFORMATION THAT IS PROPRIETARY TO MOLEX INCORPORATED AND SHOULD NOT BE USED WITHOUT WRITTEN PERMISSION					



RECOMMENDED PCB LAYOUT

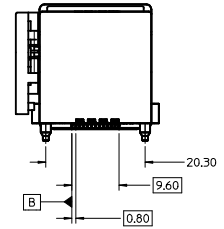
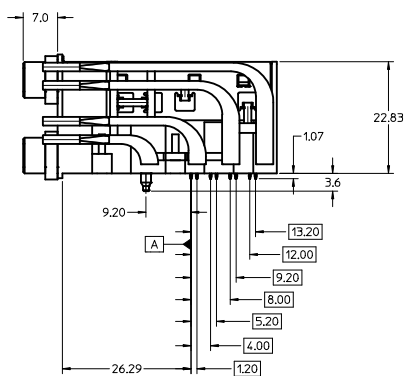
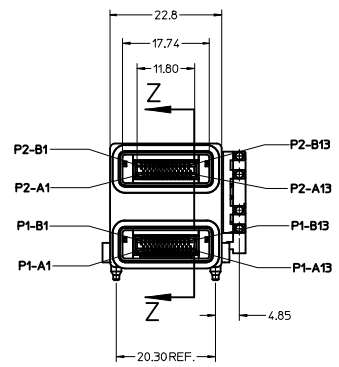
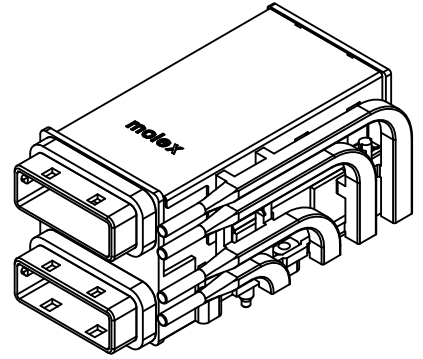
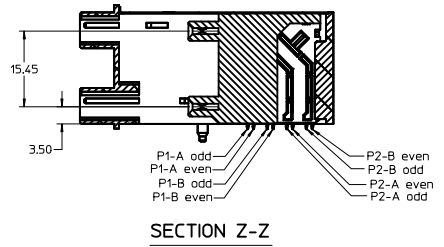
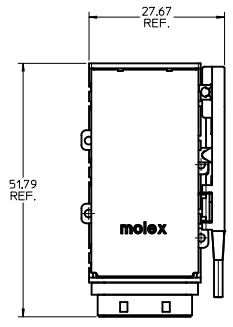
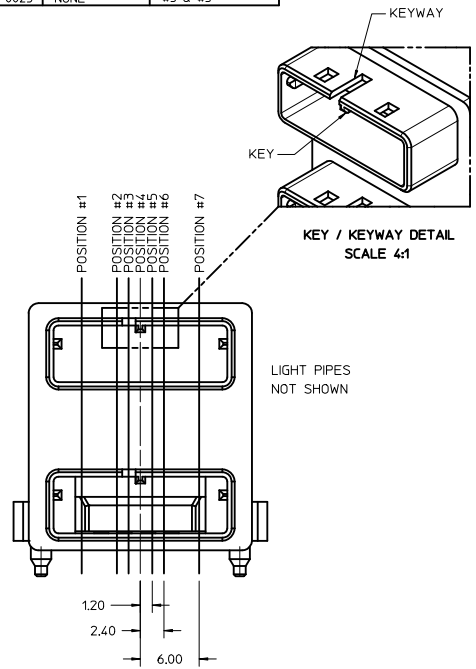
THICKNESS = 1.35mm MIN.

NOTE:

1. DIMENSIONS SHOWN ARE FOR LED PLACEMENT ONLY.
SEE SALES DRAWING SD-75758-010 FOR DETAILED
PCB LAYOUT AND SPECIFICATIONS.

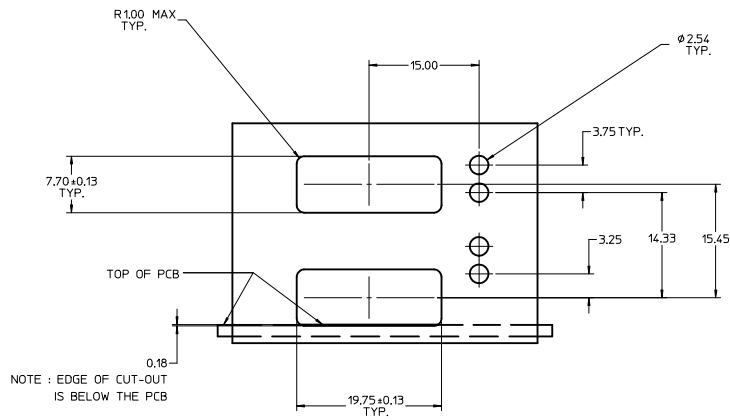
SEE SHEET 1 IEC NO: UCP2012-1063 DRAWN: SBOGIEL CHKD: APPR: MBANKIS REV:	2011/09/19 2011/10/20	QUALITY SYMBOLS ▽=0 ▽=0	GENERAL TOLERANCES (UNLESS SPECIFIED) mm INCH 4 PLACES ±.10 ±.004 3 PLACES ±.15 ±.006 2 PLACES ±.20 ±.008 1 PLACE ±.25 ±.010 ANGULAR ±1/2°	DIMENSION STYLE MM ONLY	SCALE 2:1	DESIGN UNITS METRIC	THIRD ANGLE PROJECTION	
	DRAWN BY SBOGIEL	DATE 2011/09/19	CHECKED BY DATE	TITLE ASSEMBLY, LIGHT PIPE FOR IPASS 26X26 STACKED 2X1	APPROVED BY MBANKIS	DATE 2011/10/20	MATERIAL NO. 75758-010*	DOCUMENT NO. SD-170416-0101
	DRAFT WHERE APPLICABLE MUST REMAIN WITHIN DIMENSIONS	SIZE D	THIS DRAWING CONTAINS INFORMATION THAT IS PROPRIETARY TO MOLEX INCORPORATED AND SHOULD NOT BE USED WITHOUT WRITTEN PERMISSION	SHEET NO. 3 OF 3				

KEY/KEYWAY OPTIONS			
PART NUMBER	KEY POSITION	KEYWAY POSITION	
TIN/LEAD	LEAD-FREE		
75758-0001	75758-0021	NONE	NONE
75758-0002	75758-0022	#3	NONE
75758-0003	75758-0023	#4	NONE
75758-0004	75758-0024	#4	#3 & #5
75758-0005	75758-0025	NONE	#3 & #5



- NOTES :
- MATERIALS :
CONNECTOR HOUSING - HIGH TEMP THERMOPLASTIC,
GLASS-FILLED, UL94V-0,
COLOR - BLACK
EMI HOUSING - DIE CAST ALLOY, NICKEL PLATED FINISH
COVER - STAINLESS STEEL ALLOY
CPI TERMINALS - COPPER ALLOY
EMI GASKETS - CONDUCTIVE POLYMER
LIGHT PIPE - CLEAR THERMOPLASTIC, UL94V-0
 - TERMINAL PLATING :
CONTACT AREA - 0.76µ MIN GOLD OVER 2.54µ MIN NICKEL.
COMPLIANT AREA - 0.76-1.52µ TIN/LEAD (90/10) OVER
2.54µ MIN NICKEL.
 - PACKAGING SPECIFICATION : TRAY PACK IN BOX.
 - REFER TO PS-75586-001 PRODUCT SPEC FOR ALL ELECTRICAL, MECHANICAL AND ENVIRONMENTAL SPECIFICATIONS.
 - THIS CONNECTOR IS DESIGNED TO MATE WITH MOLEX CABLE SERIES 74548.
 - REQUIRES MOUNTING HARDWARE : (4) M2 X 8MM CAP SCREWS OR EQUIV.
MAX. TORQUE 2.3 in/lbs.

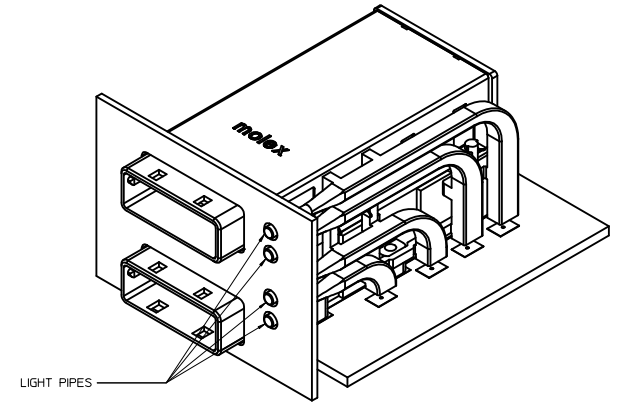
ADD LEAD-FREE # EC NO. UCP2012-1003 DRWNS:SRIGIEL CHKD: APPR:RBANKIS REV DESCRIPTION 2011/10/13 2011/10/20	QUALITY SYMBOLS	GENERAL TOLERANCES (UNLESS SPECIFIED)	DIMENSION STYLE	SCALE	DESIGN UNITS	THIRD ANGLE PROJECTION
	∇=0 ∇=0 ∇=0	4 PLACES ± --- INCH 3 PLACES ± --- INCH 2 PLACES ± 0.25 INCH 1 PLACE ± 0.25 INCH ANGULAR ±1/2°	mm INCH	MM ONLY	2:1	METRIC
DRAFT WHERE APPLICABLE MUST REMAIN WITHIN DIMENSIONS		MATERIAL NO. 75758-000*		DOCUMENT NO. SD-75758-001		TITLE: IPASS STACKED 26/26 CIRCUIT CONNECTOR W/LIGHT PIPES MOLEX INCORPORATED SHEET NO. 1 OF 3



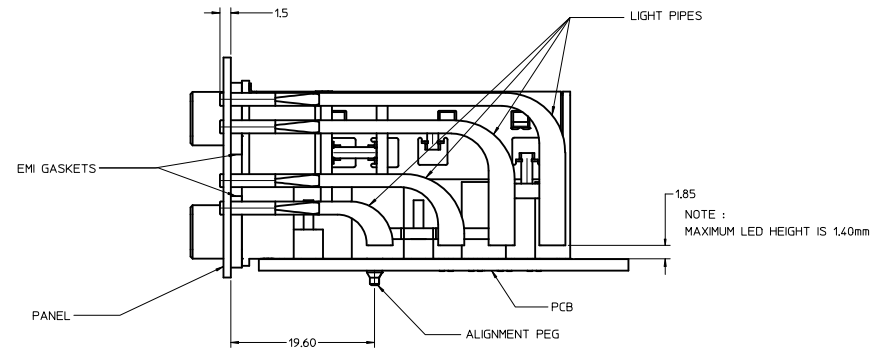
NOTE : EDGE OF CUT-OUT IS BELOW THE PCB

PANEL CUT-OUT

MAXIMUM THICKNESS = 1.50
(NOT SUPPLIED)



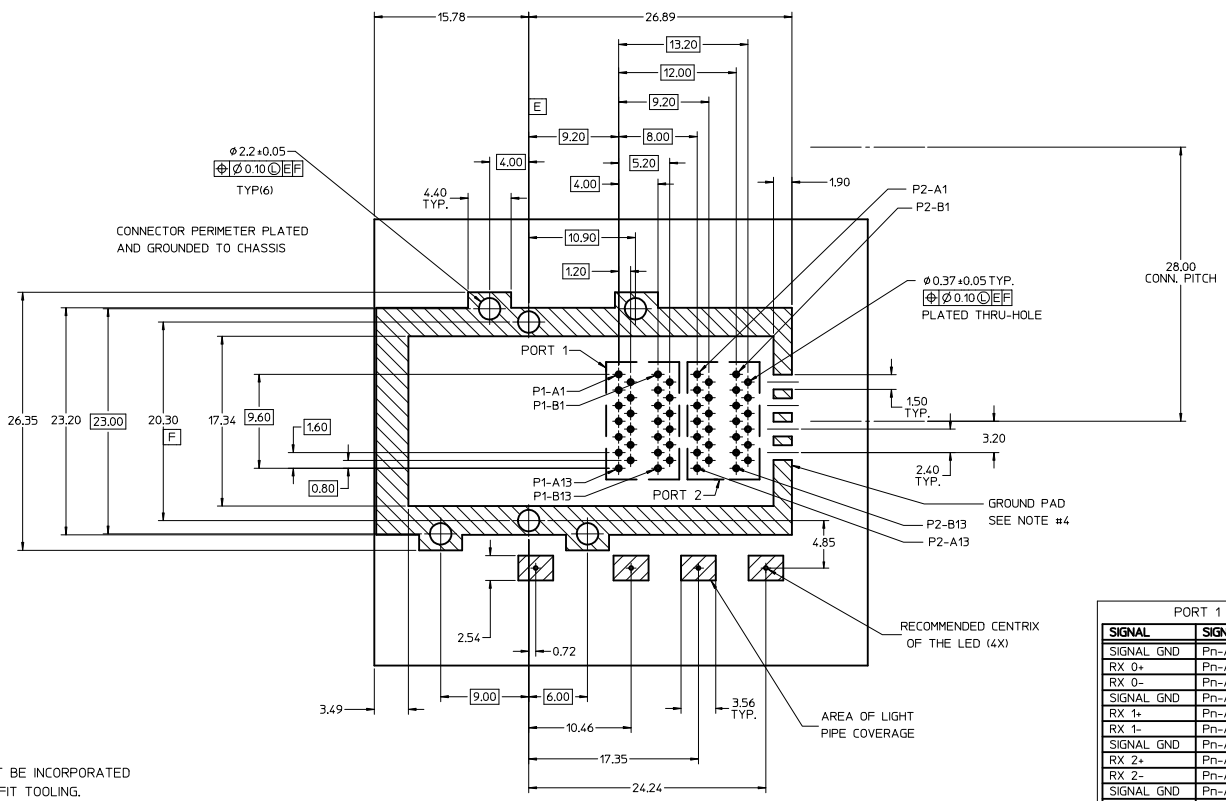
LIGHT PIPES



NOTE : MAXIMUM LED HEIGHT IS 1.40mm

ASSEMBLY VIEW

SEE SHEET 1 EEC NO: UCP2012-1063 DRAWN: SROGIEL 2011/10/13 CHKD: APPR: HBANKIS 2011/10/20 REV:	QUALITY SYMBOLS ▽=0 ▽=0 ▽=0	GENERAL TOLERANCES (UNLESS SPECIFIED) <table border="1"> <tr> <th></th> <th>mm</th> <th>INCH</th> </tr> <tr> <td>4 PLACES</td> <td>±---</td> <td>±---</td> </tr> <tr> <td>3 PLACES</td> <td>±---</td> <td>±---</td> </tr> <tr> <td>2 PLACES</td> <td>±0.25</td> <td>±---</td> </tr> <tr> <td>1 PLACE</td> <td>±0.25</td> <td>±---</td> </tr> <tr> <td colspan="3">ANGULAR ±1/2°</td> </tr> </table>		mm	INCH	4 PLACES	±---	±---	3 PLACES	±---	±---	2 PLACES	±0.25	±---	1 PLACE	±0.25	±---	ANGULAR ±1/2°			DIMENSION STYLE MM ONLY	SCALE 3:1	DESIGN UNITS METRIC	THIRD ANGLE PROJECTION
		mm	INCH																					
	4 PLACES	±---	±---																					
	3 PLACES	±---	±---																					
2 PLACES	±0.25	±---																						
1 PLACE	±0.25	±---																						
ANGULAR ±1/2°																								
DRAWN BY J JANTELEZIO 02/05/2008 CHECKED BY KLANG 02/05/2008 APPROVED BY BANAKIS 02/05/2008	DATE DATE DATE	TITLE IPASS STACKED 26/26 CIRCUIT CONNECTOR W/LIGHT PIPES	MATERIAL NO. 75758-000*	DOCUMENT NO. SD-75758-001	MOLEX INCORPORATED	SHEET NO. 2 OF 3																		
DRAFT WHERE APPLICABLE MUST REMAIN WITHIN DIMENSIONS																								
THIS DRAWING CONTAINS INFORMATION THAT IS PROPRIETARY TO MOLEX INCORPORATED AND SHOULD NOT BE USED WITHOUT WRITTEN PERMISSION																								



PORT 1		PORT 2	
SIGNAL	SIGNAL PIN	SIGNAL	SIGNAL PIN
SIGNAL GND	Pn-A1	SIGNAL GND	Pn-B1
RX 0+	Pn-A2	TX 0+	Pn-B2
RX 0-	Pn-A3	TX 0-	Pn-B3
SIGNAL GND	Pn-A4	SIGNAL GND	Pn-B4
RX 1+	Pn-A5	TX 1+	Pn-B5
RX 1-	Pn-A6	TX 1-	Pn-B6
SIGNAL GND	Pn-A7	SIGNAL GND	Pn-B7
RX 2+	Pn-A8	TX 2+	Pn-B8
RX 2-	Pn-A9	TX 2-	Pn-B9
SIGNAL GND	Pn-A10	SIGNAL GND	Pn-B10
RX 3+	Pn-A11	TX 3+	Pn-B11
RX 3-	Pn-A12	TX 3-	Pn-B12
SIGNAL GND	Pn-A13	SIGNAL GND	Pn-B13

PIN ASSIGNMENT

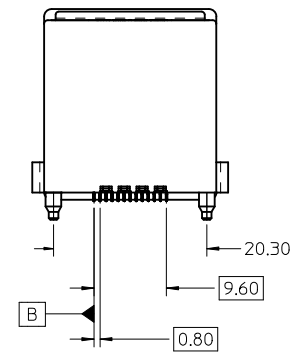
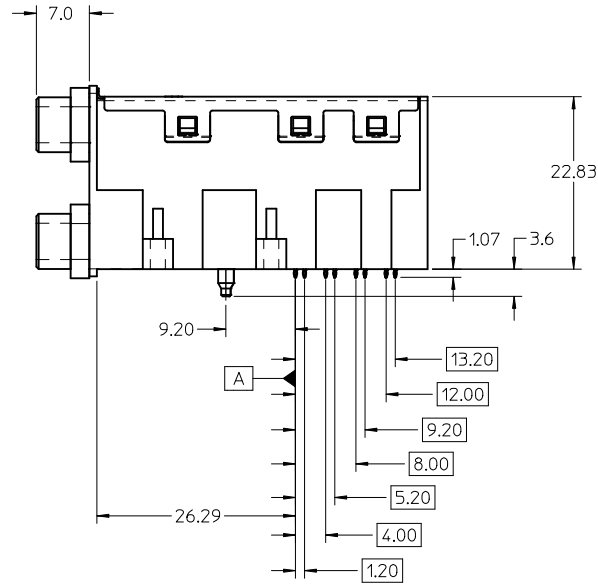
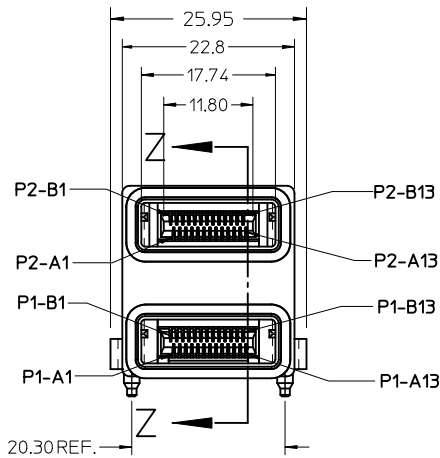
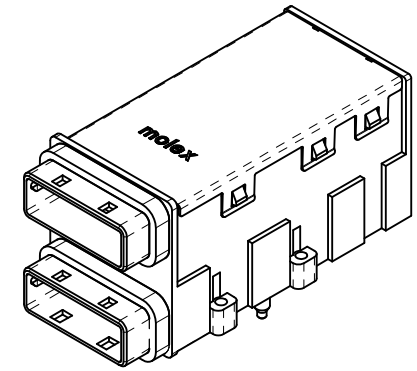
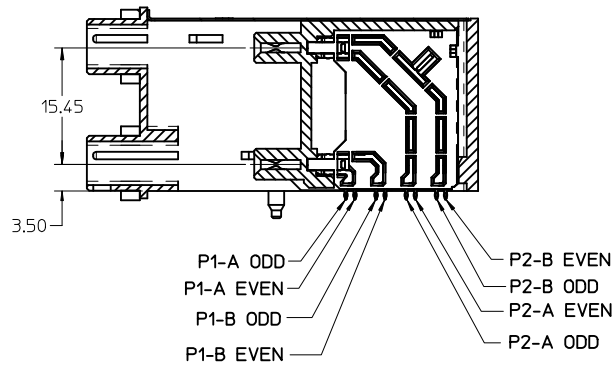
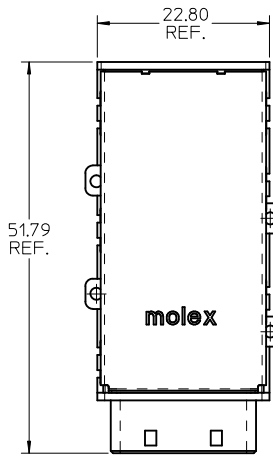
RECOMMENDED PCB LAYOUT

THICKNESS = 1.35mm MIN.

NOTES:

- CROSS-HATCHED AREA MUST BE INCORPORATED IN THE FLAT ROCK PRESS-FIT TOOLING.
- RECOMMENDED LED'S INCLUDE THE FOLLOWING :
 DIALIGHT : 597-77x1-5xx SERIES
 CHICAGO MINIATURE : 7016 SERIES
 KINGBRIGHT : APBL3025 SERIES (BICOLOR)
 APL3015 SERIES (SINGLE COLOR)
- LED'S MUST HAVE A MAXIMUM HEIGHT OF 1.4mm AND A MINIMUM HEIGHT OF 0.7mm
- PLATE GROUND PAD WITH EMERSON SILVER OR GOLD.
- RECOMMENDED DRILL SIZE FOR 0.37φ FINISHED PTH IS 0.457φ (#77 DRILL)
- RECOMMENDED ANNULAR RING AROUND 0.37φ FINISHED PTH IS 0.73φ

SEE SHEET 1 EIC NO: UCP2012-1063 DRAWNS:BOGIEL CHKD: APPROV:BANAKIS	DATE: 2011/10/13 DESCRIPTION:	QUALITY SYMBOLS: ∇=0 ∇=0 ∇=0	GENERAL TOLERANCES (UNLESS SPECIFIED): mm INCH 4 PLACES ± --- ± --- 3 PLACES ± --- ± --- 2 PLACES ± 0.25 ± --- 1 PLACE ± 0.25 ± --- ANGULAR ±1/2°	DIMENSION STYLE: MM ONLY SCALE: 2:1 DESIGN UNITS: METRIC THIRD ANGLE PROJECTION	DRAWN BY: JJANTELEZ10 DATE: 02/05/2008 CHECKED BY: KLANG DATE: 02/05/2008 APPROVED BY: BANAKIS DATE: 02/05/2008	TITLE: IPASS STACKED 26/26 CIRCUIT CONNECTOR W/LIGHT PIPES MOLEX INCORPORATED MATERIAL NO: 75758-000* DOCUMENT NO: SD-75758-001	SHEET NO: 3 OF 3
	DRAFT WHERE APPLICABLE MUST REMAIN WITHIN DIMENSIONS						
	THIS DRAWING CONTAINS INFORMATION THAT IS PROPRIETARY TO MOLEX INCORPORATED AND SHOULD NOT BE USED WITHOUT WRITTEN PERMISSION						
	SIZE: D						



NOTES :

1. MATERIALS :

- CONNECTOR HOUSING - HIGH TEMP THERMOPLASTIC, GLASS-FILLED, UL94V-0, COLOR - BLACK
- EMI HOUSING - DIE CAST ALLOY, NICKEL PLATED FINISH
- COVER - STAINLESS STEEL ALLOY
- CPI TERMINALS - COPPER ALLOY
- EMI GASKETS - CONDUCTIVE POLYMER

2. TERMINAL PLATING :

- CONTACT AREA - 0.76μ MIN GOLD OVER 2.54μ MIN NICKEL.
- COMPLIANT AREA - 0.76-1.52μ TIN/LEAD (90/10) OVER 1.27μ MIN NICKEL.

3. PACKAGING SPECIFICATION : TRAY PACK (TBD)

4. REFER TO PS-75586-001 PRODUCT SPEC FOR ALL ELECTRICAL, MECHANICAL AND ENVIRONMENTAL SPECIFICATIONS.

5. THIS CONNECTOR IS DESIGNED TO MATE WITH MOLEX CABLE SERIES 74548.

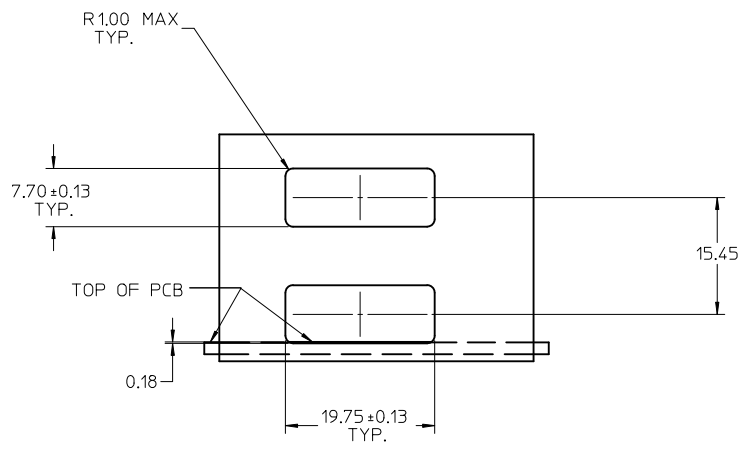
6. REQUIRES MOUNTING HARDWARE : (4) M2 X 8MM CAP SCREWS OR EQUIV. MAX. TORQUE 2.3 in/lbs.

UPD TERM PLATING EC NO: UCP2011-3957 DRWNG: GONZALEZ01 2011/06/21 CHKD: KLANG 2011/06/21 APPR: MBANAKIS 2011/07/06	QUALITY SYMBOLS
	= 0 = 0
DESCRIPTION	
REV	

GENERAL TOLERANCES (UNLESS SPECIFIED)	
	mm INCH
4 PLACES ± ---	± ---
3 PLACES ± ---	± ---
2 PLACES ± 0.25	± ---
1 PLACE ± 0.25	± ---
ANGULAR ± 1/2°	
DRAFT WHERE APPLICABLE MUST REMAIN WITHIN DIMENSIONS	

DIMENSION STYLE MM ONLY	
DRAWN BY	DATE
JJANTELEZ10	01/23/08
CHECKED BY	DATE
KLANG	01/23/08
APPROVED BY	DATE
MBANAKIS	01/23/08
MATERIAL NO.	
SEE CHART	

SCALE 2:1	DESIGN UNITS METRIC	THIRD ANGLE PROJECTION
TITLE IPASS STACKED 26/26 CIRCUIT CONNECTOR		
MOLEX MOLEX INCORPORATED		SHEET NO. 1 OF 3
DOCUMENT NO. SD-75758-002		
THIS DRAWING CONTAINS INFORMATION THAT IS PROPRIETARY TO MOLEX INCORPORATED AND SHOULD NOT BE USED WITHOUT WRITTEN PERMISSION		

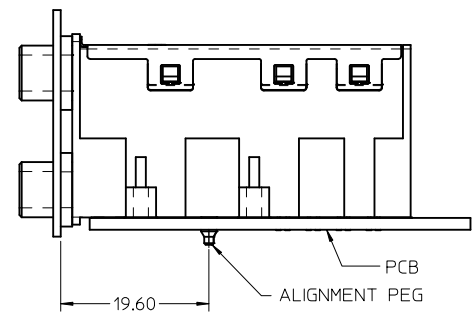
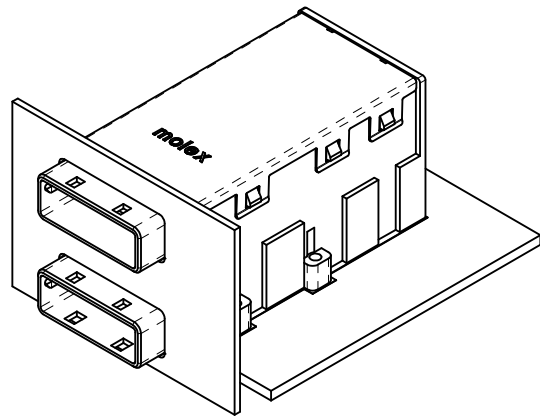


PANEL CUT-OUT

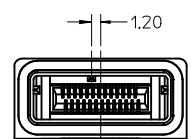
MAXIMUM THICKNESS = 1.50

NOTE : EDGE OF CUT-OUT IS BELOW THE PCB

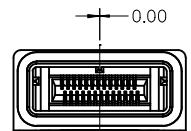
(NOT SUPPLIED)



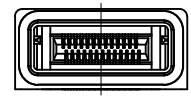
ASSEMBLY VIEW



KEY WAY - 3



KEY WAY - 4



KEY WAY - NONE

KEY WAY OPTIONS

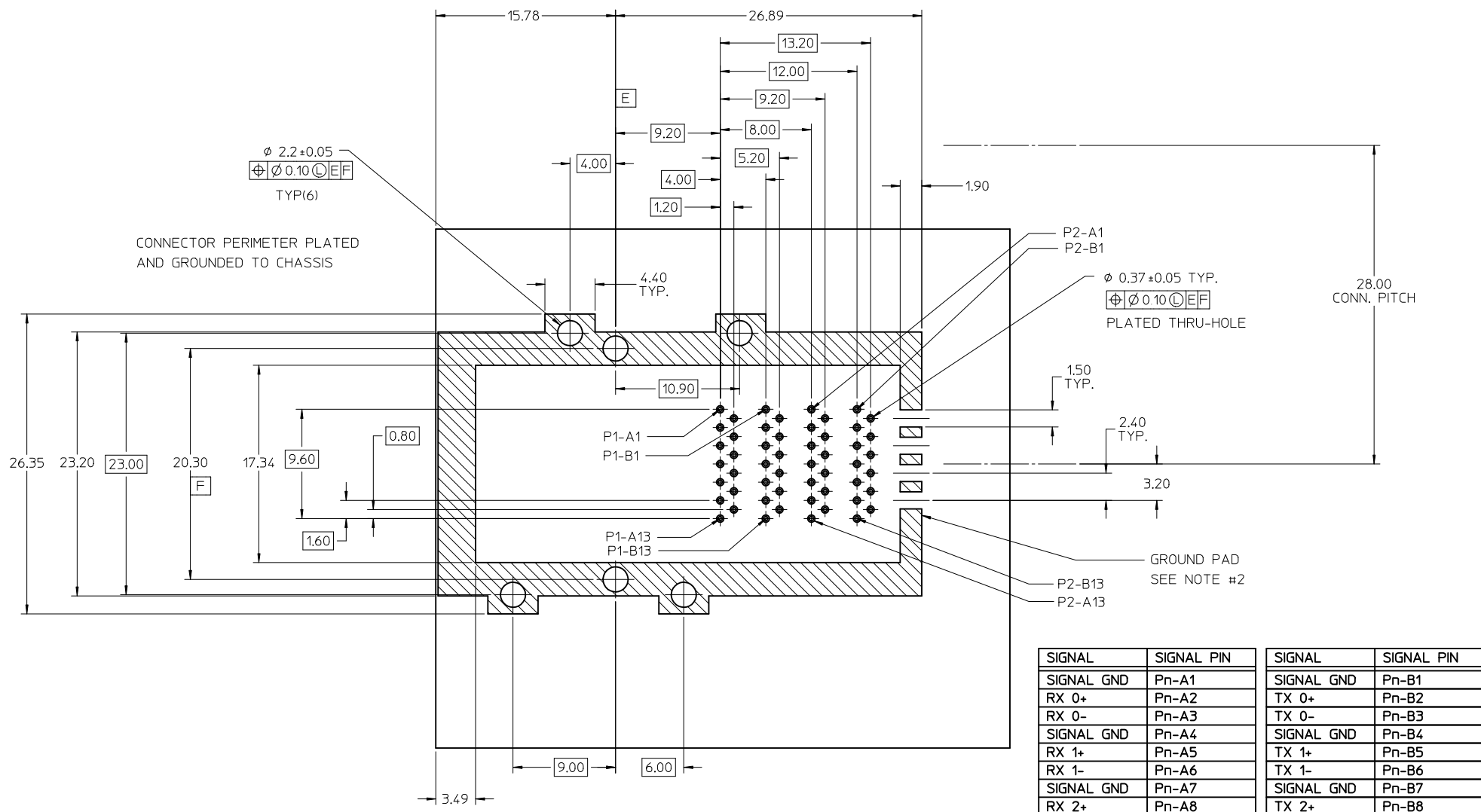
PART NUMBER	KEY WAY
75758-0101	NONE
75758-0102	#3
75758-0103	#4
-	-
-	-
-	-
-	-
-	-
-	-

SEE SHEET 1 EC NO: UCP2011-3957 DRWN: JGONZALEZ01 2011/06/21 CHKD: KLANG 2011/06/21 APPR: MBANAKIS 2011/07/06	REV	DESCRIPTION	QUALITY SYMBOLS
	D		▽=0 ▽=0

GENERAL TOLERANCES (UNLESS SPECIFIED)	
	mm INCH
4 PLACES ± ---	± ---
3 PLACES ± ---	± ---
2 PLACES ± 0.25	± ---
1 PLACE ± 0.25	± ---
ANGULAR ± 1/2°	
DRAFT WHERE APPLICABLE MUST REMAIN WITHIN DIMENSIONS	

DIMENSION STYLE MM ONLY	
DRAWN BY	DATE
JJANTELEZ10	01/23/08
CHECKED BY	DATE
KLANG	01/23/08
APPROVED BY	DATE
MBANAKIS	01/23/08
MATERIAL NO.	
SEE SHEET 1	

SCALE 2:1	DESIGN UNITS METRIC	THIRD ANGLE PROJECTION
IPASS STACKED 26/26 CIRCUIT CONNECTOR		
MOLEX INCORPORATED		SHEET NO. 2 OF 3
DOCUMENT NO. SD-75758-002		
THIS DRAWING CONTAINS INFORMATION THAT IS PROPRIETARY TO MOLEX INCORPORATED AND SHOULD NOT BE USED WITHOUT WRITTEN PERMISSION		



SIGNAL	SIGNAL PIN	SIGNAL	SIGNAL PIN
SIGNAL GND	Pn-A1	SIGNAL GND	Pn-B1
RX 0+	Pn-A2	TX 0+	Pn-B2
RX 0-	Pn-A3	TX 0-	Pn-B3
SIGNAL GND	Pn-A4	SIGNAL GND	Pn-B4
RX 1+	Pn-A5	TX 1+	Pn-B5
RX 1-	Pn-A6	TX 1-	Pn-B6
SIGNAL GND	Pn-A7	SIGNAL GND	Pn-B7
RX 2+	Pn-A8	TX 2+	Pn-B8
RX 2-	Pn-A9	TX 2-	Pn-B9
SIGNAL GND	Pn-A10	SIGNAL GND	Pn-B10
RX 3+	Pn-A11	TX 3+	Pn-B11
RX 3-	Pn-A12	TX 3-	Pn-B12
SIGNAL GND	Pn-A13	SIGNAL GND	Pn-B13

Pn - 'n' DENOTES PORT NUMBER

- NOTES :
- CROSS-HATCHED AREA MUST BE INCORPORATED IN THE FLAT ROCK PRESS-FIT TOOLING.
 - PLATE GROUND PAD WITH EMERSION SILVER OR GOLD.
 - RECOMMENDED DRILL SIZE FOR 0.37 ϕ FINISHED PTH IS 0.457 ϕ (#77 DRILL)
 - RECOMMENDED ANNULAR RING AROUND 0.37 ϕ FINISHED PTH IS 0.73 ϕ

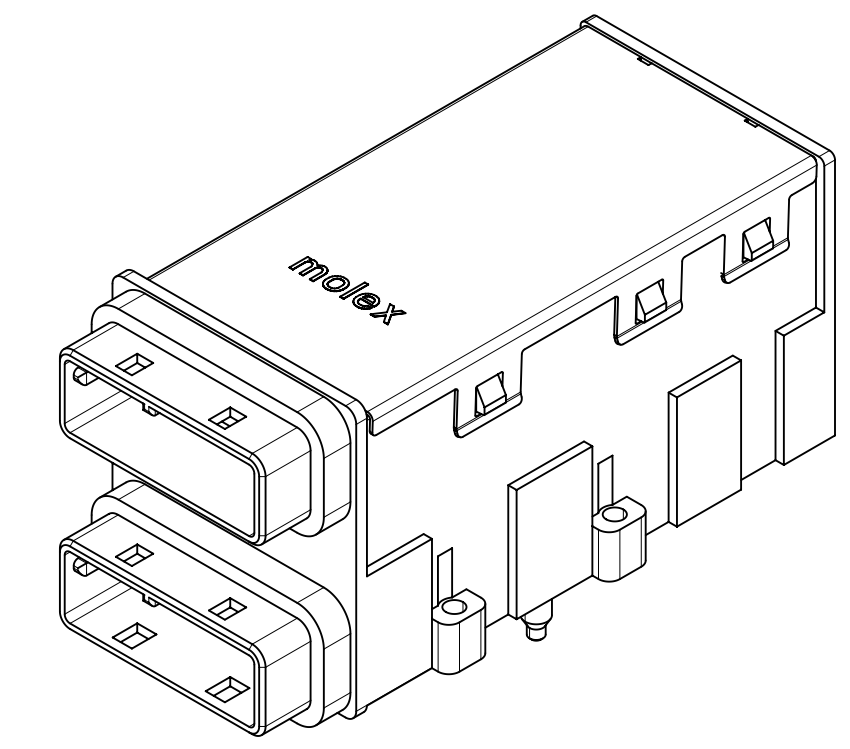
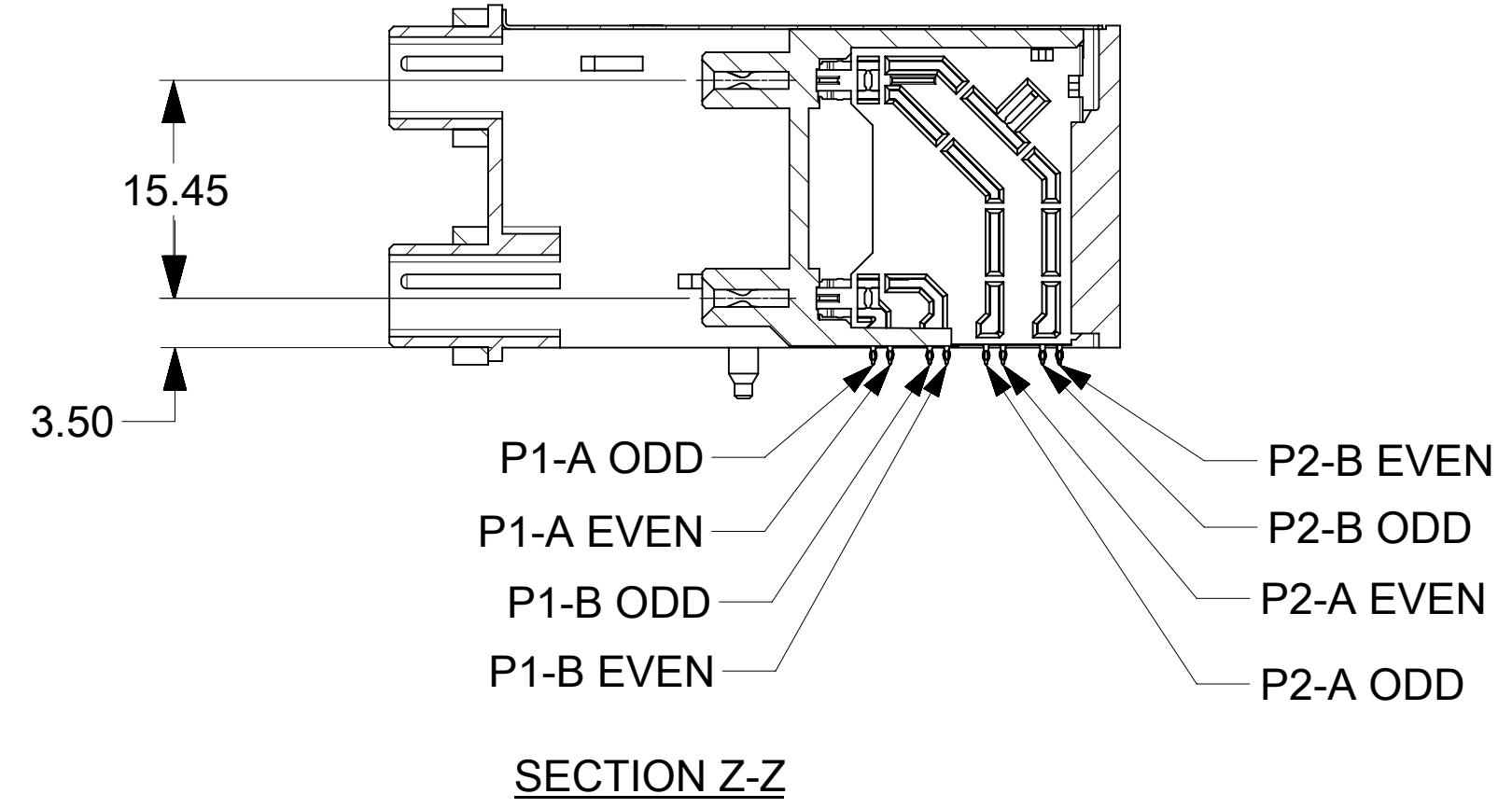
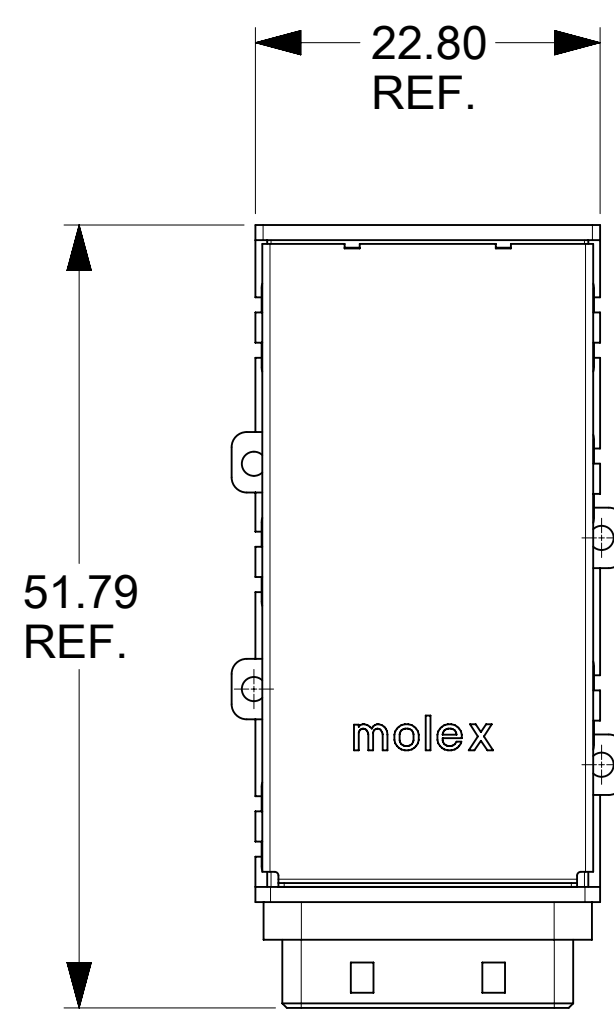
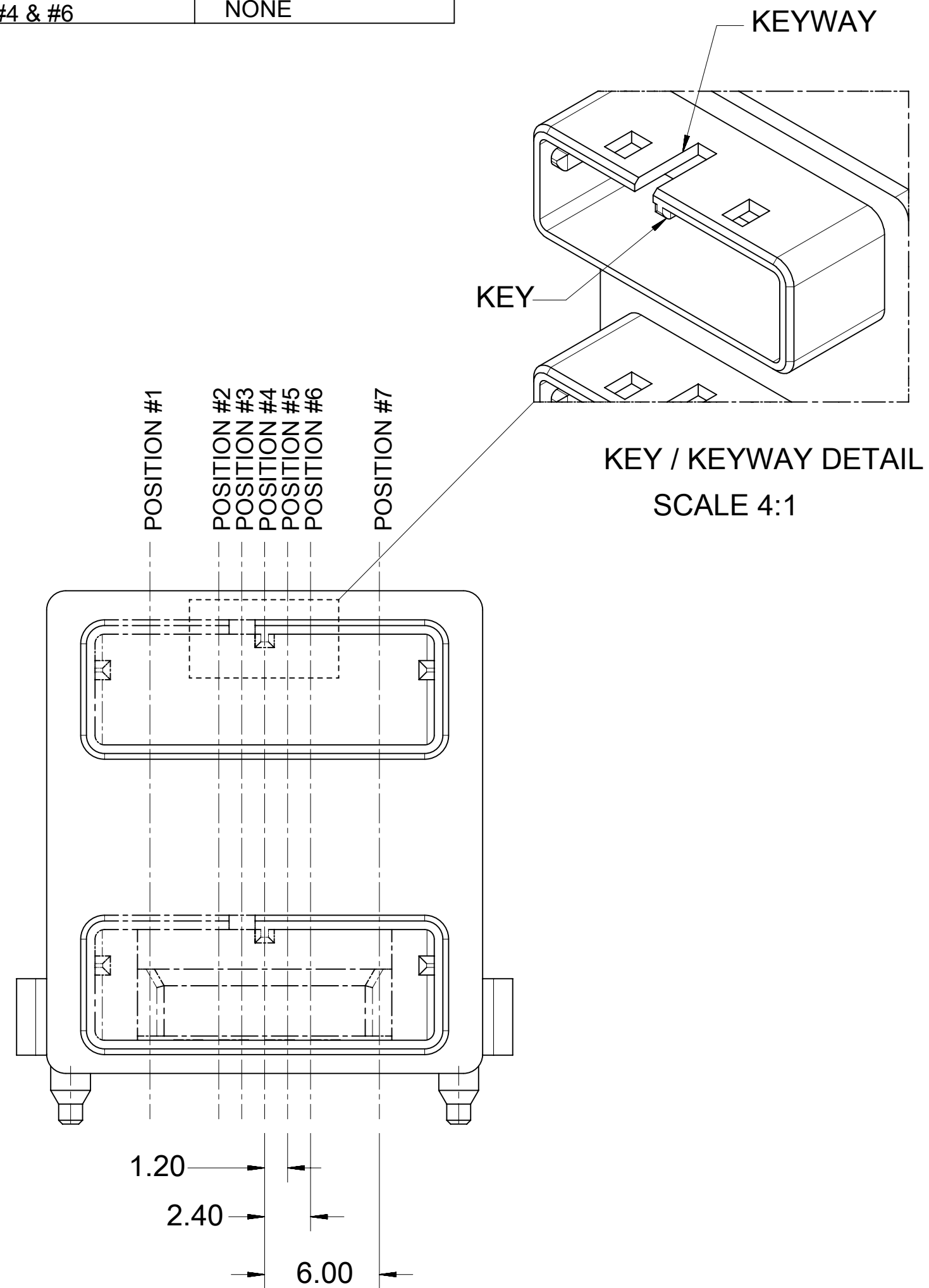
RECOMMENDED PCB LAYOUT

THICKNESS = 1.35mm MIN.

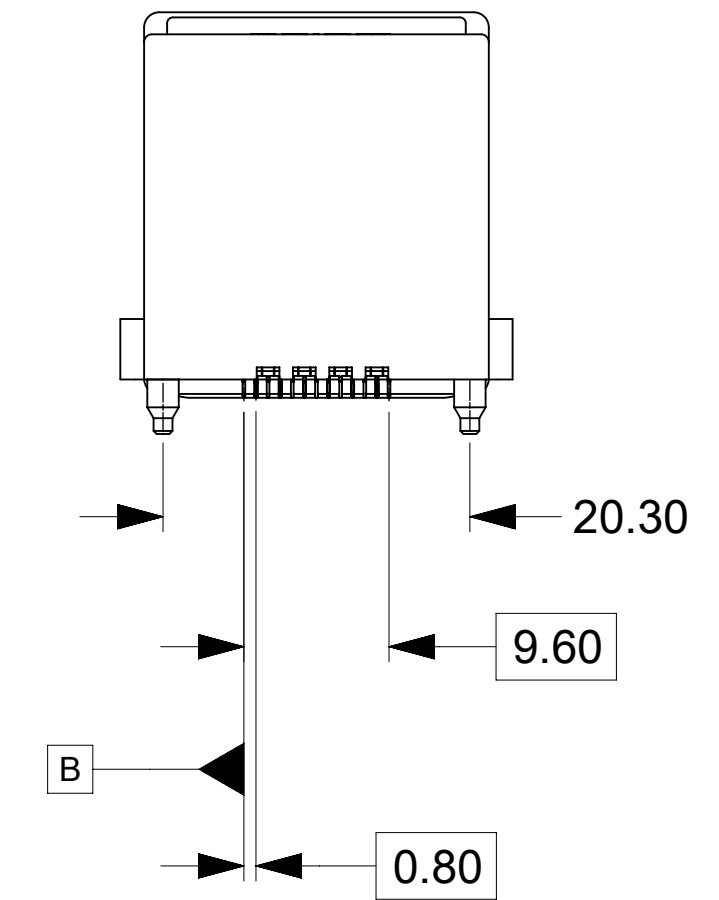
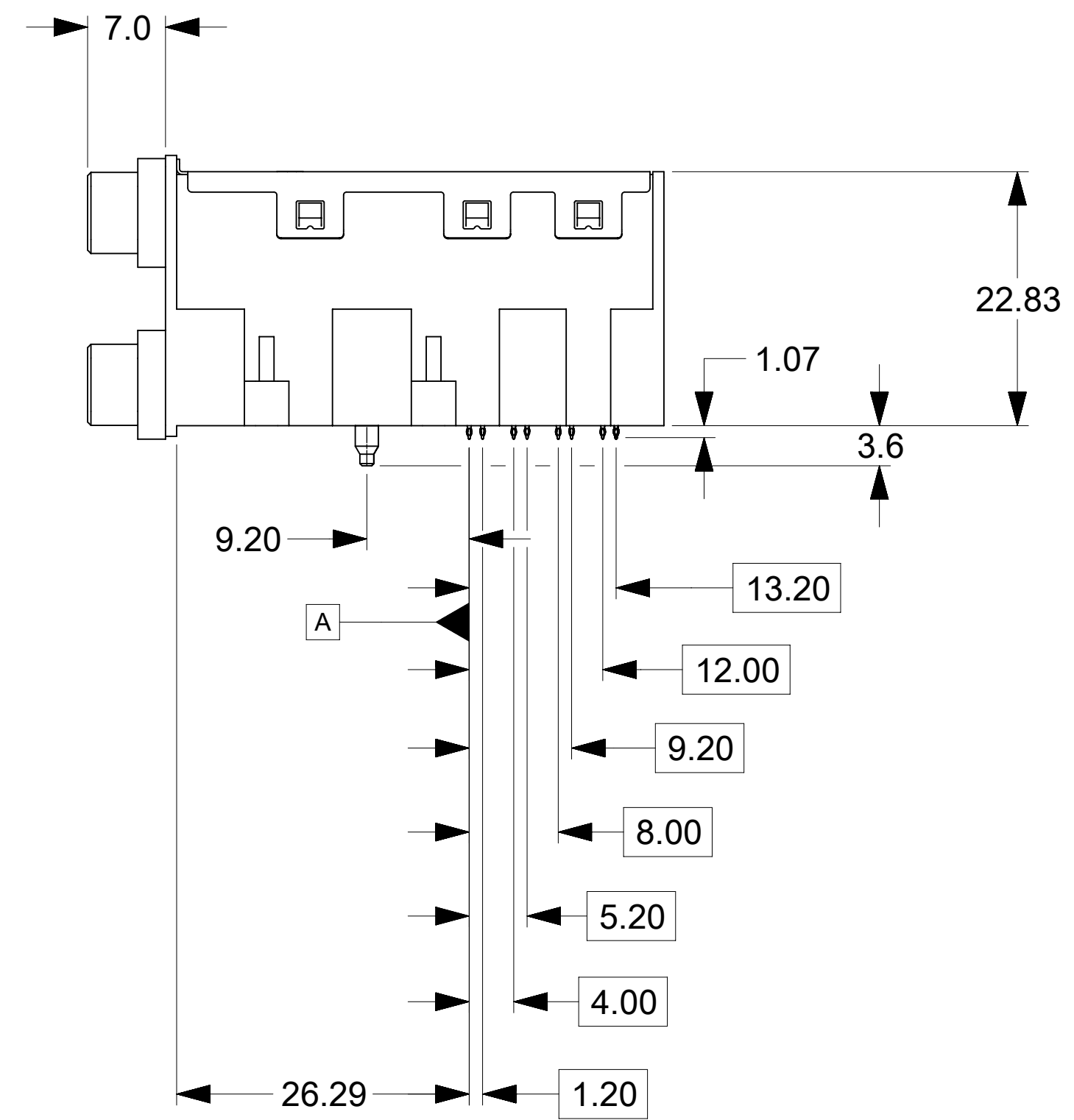
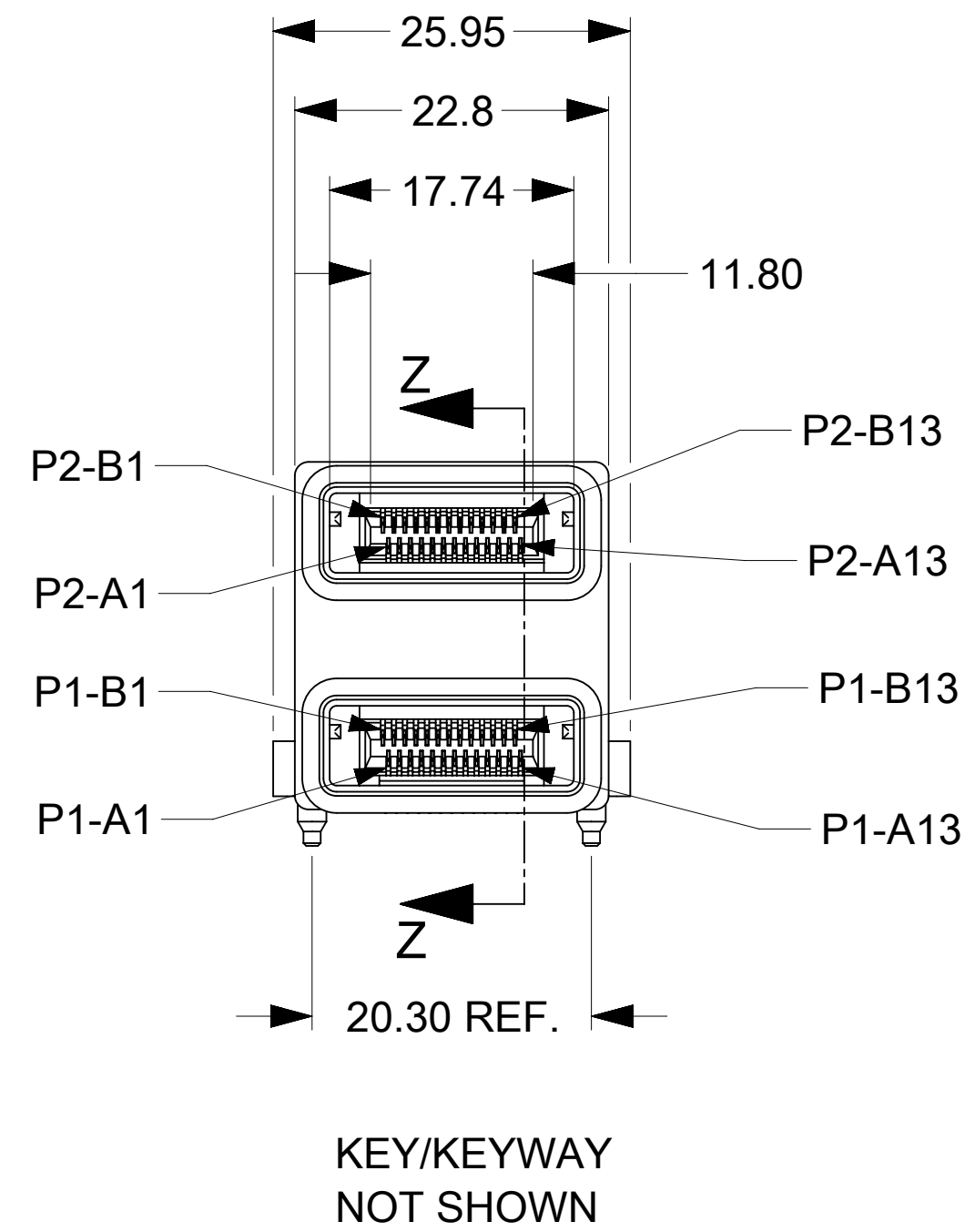
SEE SHEET 1 EC NO: UCP2011-3957 DRWN: JGONZALEZ01 2011/06/21 CHKD: KLANG 2011/06/21 APPR: MBANAKIS 2011/07/06	QUALITY SYMBOLS ▽=0 ▽=0	GENERAL TOLERANCES (UNLESS SPECIFIED)		DIMENSION STYLE MM ONLY	SCALE 2:1	DESIGN UNITS METRIC	THIRD ANGLE PROJECTION		
		4 PLACES ± --- ± --- 3 PLACES ± --- ± --- 2 PLACES ± 0.25 ± --- 1 PLACE ± 0.25 ± ---	mm INCH	DRAWN BY JJANTELEZ10	DATE 01/23/08	TITLE IPASS STACKED 26/26 CIRCUIT CONNECTOR			
		ANGULAR ± 1/2°		CHECKED BY KLANG	DATE 01/23/08	MOLEX INCORPORATED			
		DRAFT WHERE APPLICABLE MUST REMAIN WITHIN DIMENSIONS		APPROVED BY MBANAKIS	DATE 01/23/08	MATERIAL NO. SEE SHEET 1	DOCUMENT NO. SD-75758-002	SHEET NO. 3 OF 3	

THIS DRAWING CONTAINS INFORMATION THAT IS PROPRIETARY TO MOLEX INCORPORATED AND SHOULD NOT BE USED WITHOUT WRITTEN PERMISSION

KEYING & PLATING OPTIONS			
TIN/LEAD PART NUMBER	LEAD FREE PART NUMBER	KEY POSITION	KEYWAY POSITION
75758-0102	75758-0202	#3	NONE
75758-0103	75758-0203	#4	NONE
75758-0104	75758-0204	#4	#3 & #5
75758-0105	75758-0205	NONE	#3 & #5
75758-0106	75758-0206	#4	#3
75758-0107	75758-0207	NONE	#3
75758-0108	75758-0208	#4	#5
75758-0109	75758-0209	NONE	#5
75758-0111	75758-0211	#4 & #6	NONE



75758-0101 (OBSOLETE)
SHOWN FOR REF. ONLY

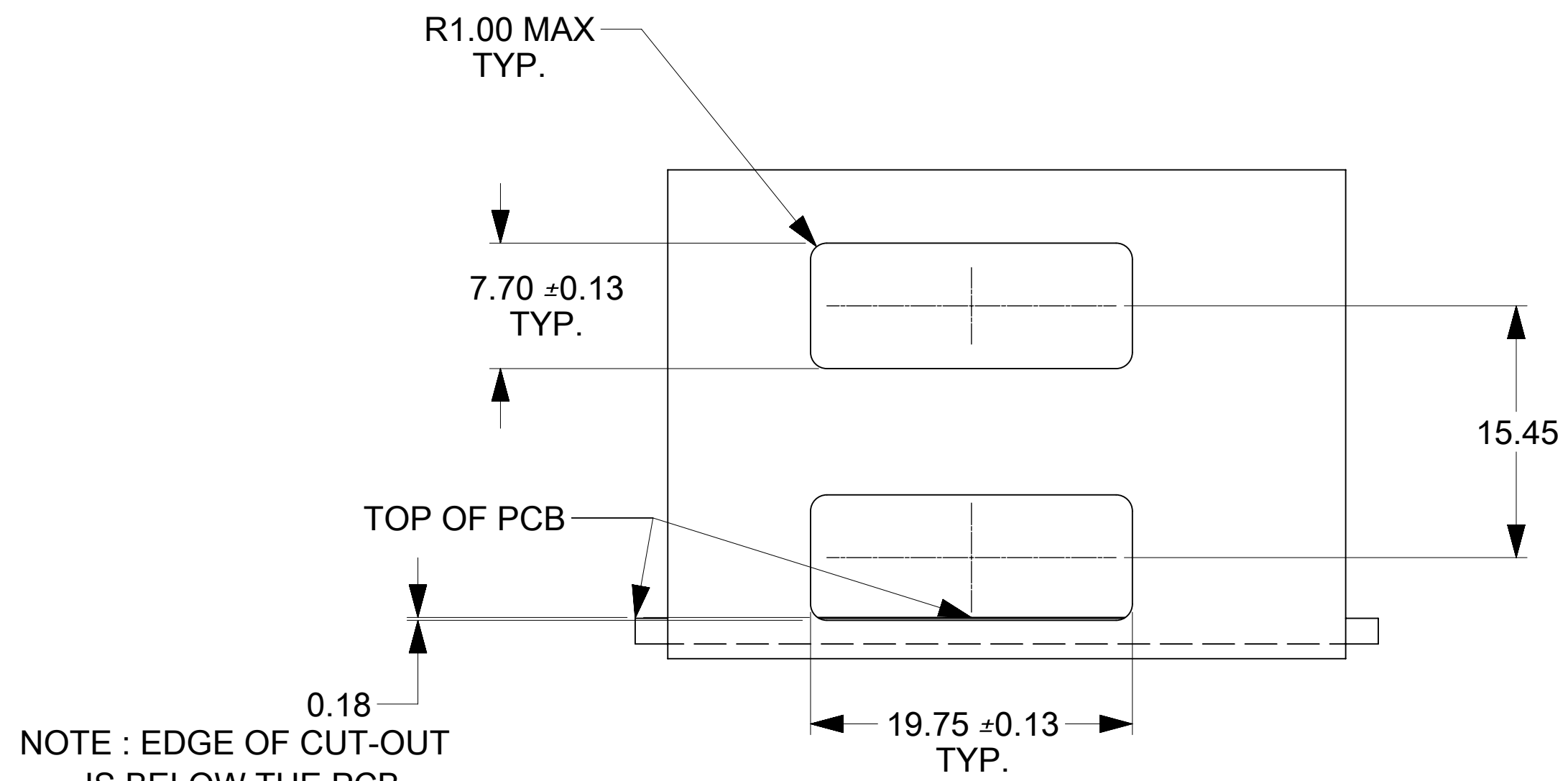


NOTES :

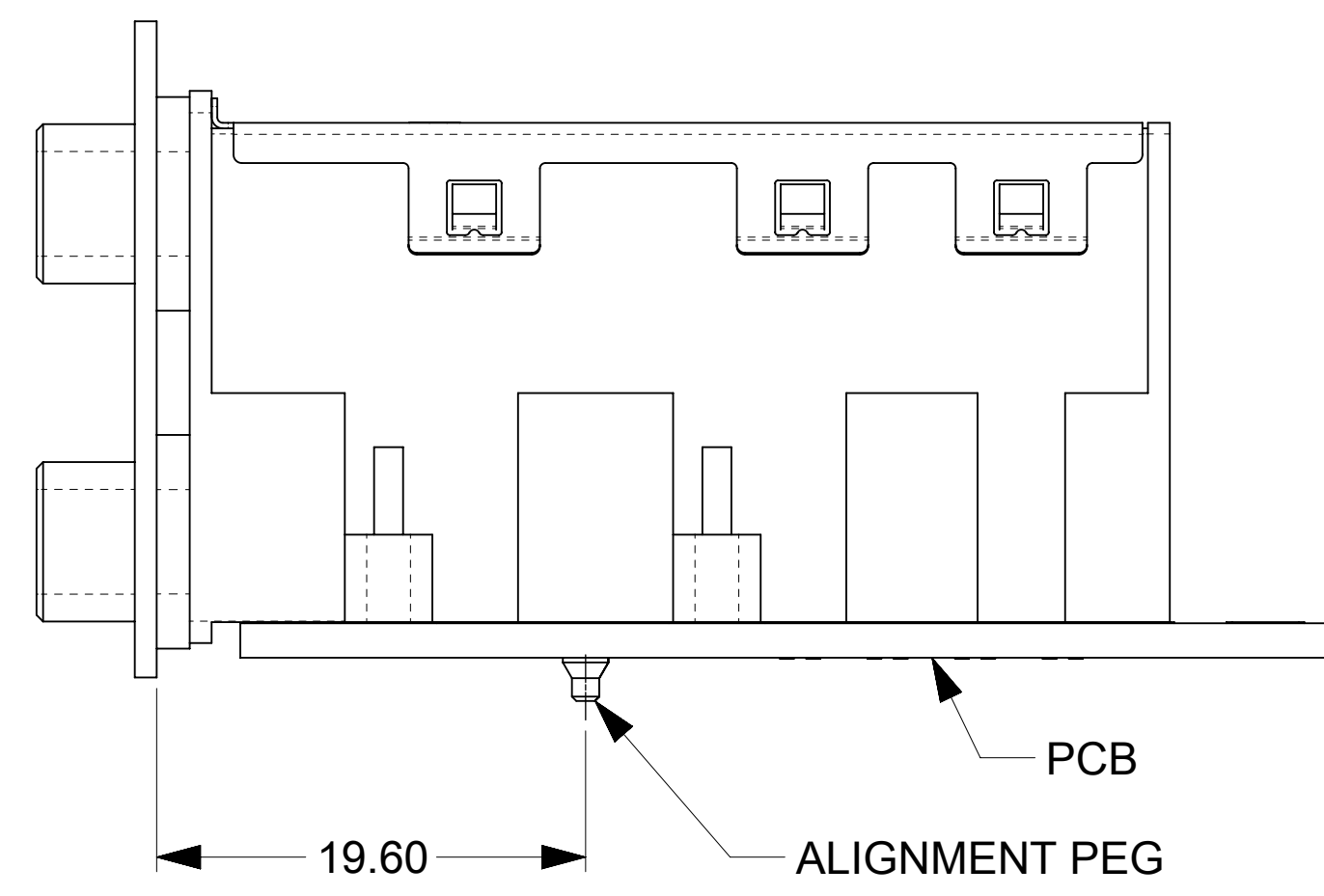
- MATERIALS :
CONNECTOR HOUSING - HIGH TEMP THERMOPLASTIC, GLASS-FILLED, UL94V-0, COLOR - BLACK
EMI HOUSING - DIE CAST ALLOY, FINISH: NICKEL
COVER - STAINLESS STEEL ALLOY
CPI TERMINALS - COPPER ALLOY
EMI GASKETS - CONDUCTIVE POLYMER
- TERMINAL PLATING : SEE CHART
OPTION 1) TIN/LEAD - CONTACT AREA - 0.7μ MIN GOLD OVER 2.5μ MIN NICKEL. COMPLIANT AREA - 0.7-1.5μm TIN/LEAD (90/10) OVER 1.2μm MIN NICKEL.

OPTION 2) LEAD FREE - CONTACT AREA - 0.7μ MIN GOLD OVER 2.5μ MIN NICKEL. COMPLIANT AREA - 0.7-1.5μm TIN (TIN ONLY) OVER 1.2μm MIN NICKEL.
- PACKAGING SPECIFICATION : TRAY PACK (TBD)
- REFER TO PS-75586-001 PRODUCT SPEC FOR ALL ELECTRICAL, MECHANICAL AND ENVIRONMENTAL SPECIFICATIONS.
- THIS CONNECTOR IS DESIGNED TO MATE WITH MOLEX CABLE SERIES 74548.
- REQUIRES MOUNTING HARDWARE : (4) M2 X 8MM CAP SCREWS OR EQUIV. MAX. TORQUE 2.3 in/lbs.
- PRODUCT IS RoHS COMPLIANT.

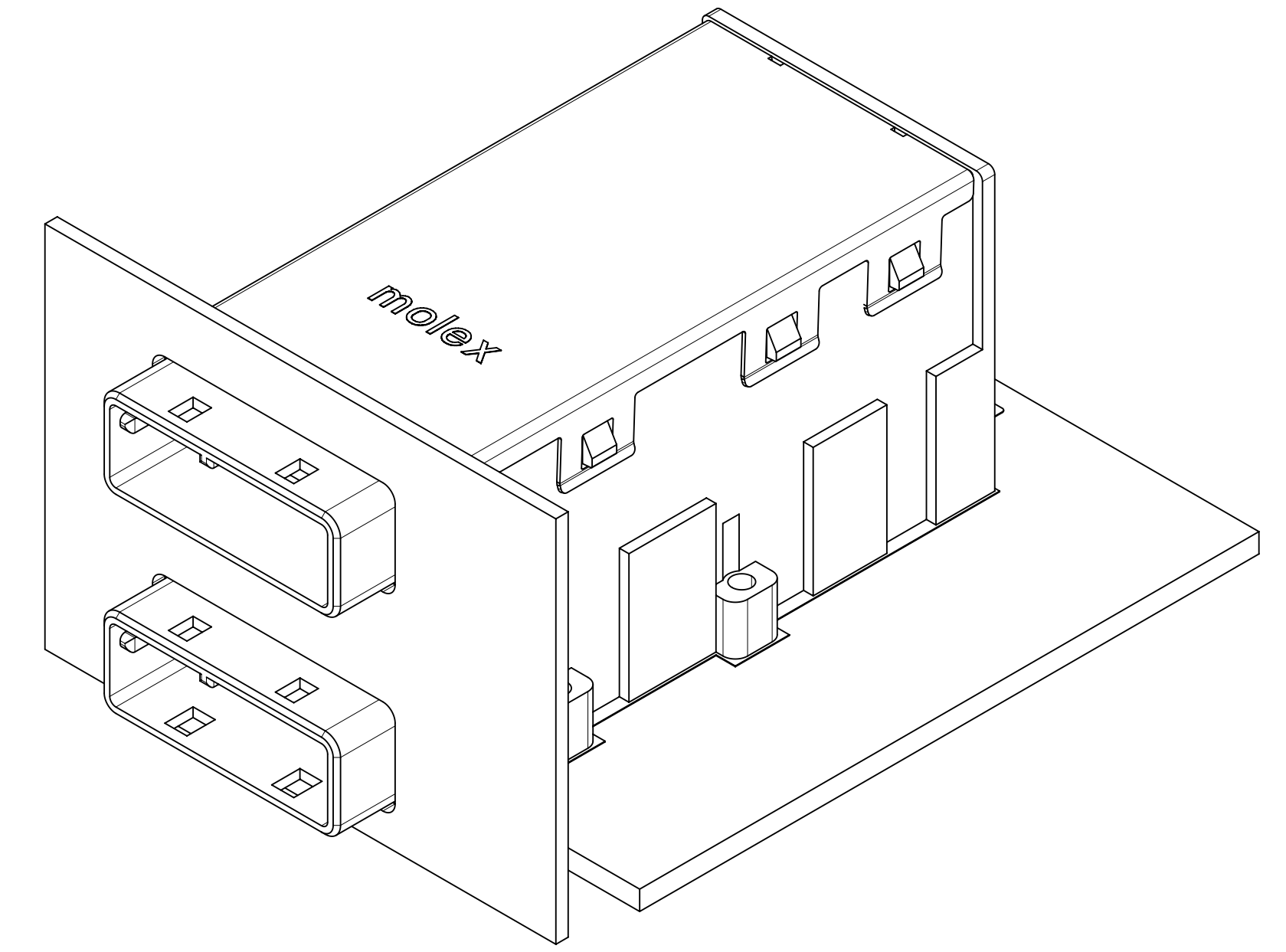
THIS DRAWING CONTAINS INFORMATION THAT IS PROPRIETARY TO MOLEX ELECTRONIC TECHNOLOGIES, LLC AND SHOULD NOT BE USED WITHOUT WRITTEN PERMISSION													
DIMENSION UNITS		SCALE		CURRENT REV DESC: OBSOLETE PART NO									
mm		2:1		<p>molex</p> <p>IPASS STACKED 26/26 CIRCUIT CONNECTOR</p> <p>PRODUCT CUSTOMER DRAWING</p> <p>DOCUMENT NUMBER: SD-75758-010 DOC TYPE: PSD DOC PART: 001 REVISION: D1</p> <p>MATERIAL NUMBER: SEE CHART CUSTOMER: GENERAL MARKET SHEET NUMBER: 1 OF 3</p>									
GENERAL TOLERANCES (UNLESS SPECIFIED)													
		MM										INCH	
4 PLACES		±										±	
3 PLACES		±										±	
2 PLACES		± 0.25		±									
1 PLACE		± 0.25		±									
0 PLACES		±		±									
ANGULAR TOL		± 0.5°		±									
DRAFT WHERE APPLICABLE MUST REMAIN WITHIN DIMENSIONS				THIRD ANGLE PROJECTION		DRAWING		SERIES		MATERIAL NUMBER			
				D-SIZE		75758		SEE CHART		GENERAL MARKET			


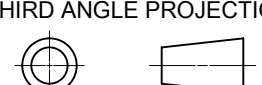


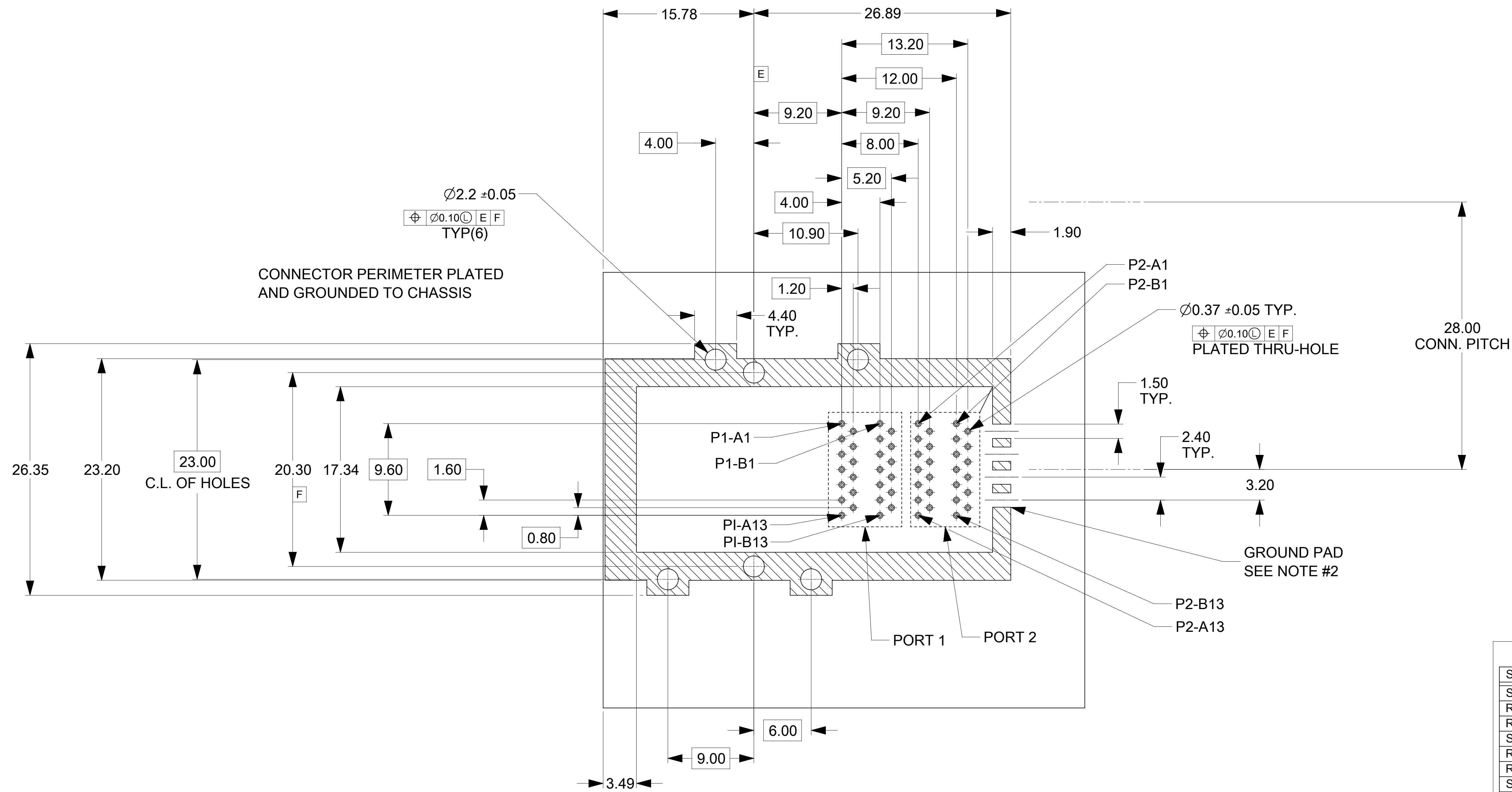
PANEL CUT-OUT
 MAXIMUM THICKNESS = 1.50
 (NOT SUPPLIED)



ASSEMBLY VIEW



THIS DRAWING CONTAINS INFORMATION THAT IS PROPRIETARY TO MOLEX ELECTRONIC TECHNOLOGIES, LLC AND SHOULD NOT BE USED WITHOUT WRITTEN PERMISSION																			
DIMENSION UNITS		SCALE		CURRENT REV DESC: OBSOLETE PART NO															
mm		3:1		 IPASS STACKED 26/26 CIRCUIT CONNECTOR PRODUCT CUSTOMER DRAWING															
GENERAL TOLERANCES (UNLESS SPECIFIED)																			
	MM	INCH																	
4 PLACES	±	±																	
3 PLACES	±	±																	
2 PLACES	± 0.25	±																	
1 PLACE	± 0.25	±																	
0 PLACES	±	±																	
ANGULAR TOL		± 0.5 °		EC NO: 625872 DRWN: VLOKESHA 2019/09/16 CHK'D: GB 2019/11/08 APPR: GGA 2019/11/12 INITIAL REVISION: DRWN: JJANTELEZIO 2008/01/23 APPR: MBANAKIS 2008/01/23															
DRAFT WHERE APPLICABLE MUST REMAIN WITHIN DIMENSIONS		THIRD ANGLE PROJECTION		DRAWING		SERIES		MATERIAL NUMBER		CUSTOMER									
				D-SIZE		75758		SEE CHART		GENERAL MARKET									
DOCUMENT STATUS				DOCUMENT NUMBER				DOC TYPE				DOC PART				REVISION			
P1				SD-75758-010				PSD				001				D1			
RELEASE DATE				SERIES				CUSTOMER				SHEET NUMBER							
2019/11/12 07:19:27				75758				GENERAL MARKET				2 OF 3							



RECOMMENDED PCB LAYOUT

THICKNESS = 1.35mm MIN.

PORT 1		PORT 2	
SIGNAL	SIGNAL PIN	SIGNAL	SIGNAL PIN
SIGNAL GND	A1	SIGNAL GND	B1
RX 0+	A2	TX 0+	B2
RX 0-	A3	TX 0-	B3
SIGNAL GND	A4	SIGNAL GND	B4
RX 1+	A5	TX 1+	B5
RX 1-	A6	TX 1-	B6
SIGNAL GND	A7	SIGNAL GND	B7
RX 2+	A8	TX 2+	B8
RX 2-	A9	TX 2-	B9
SIGNAL GND	A10	SIGNAL GND	B10
RX 3+	A11	TX 3+	B11
RX 3-	A12	TX 3-	B12
SIGNAL GND	A13	SIGNAL GND	B13

PIN ASSIGNMENT

NOTES:

- CROSS-HATCHED AREA MUST BE INCORPORATED IN THE FLAT ROCK PRESS-FIT TOOLING.
- RECOMMENDED LED'S INCLUDE THE FOLLOWING :
 DIALIGHT : 597-77x1-5xx SERIES
 CHICAGO MINIATURE : 7016 SERIES
 KINGBRIGHT : APBL3025 SERIES (BICOLOR)
 APL3015 SERIES (SINGLE COLOR)
- LED'S MUST HAVE A MAXIMUM HEIGHT OF 1.4mm AND A MINIMUM HEIGHT OF 0.7mm
- PLATE GROUND PAD WITH EMERSION SILVER OR GOLD.
- RECOMMENDED DRILL SIZE FOR 0.37Ø FINISHED PTH IS 0.457Ø (#77 DRILL)
- RECOMMENDED ANNULAR RING AROUND 0.37Ø FINISHED PTH IS 0.73Ø

THIS DRAWING CONTAINS INFORMATION THAT IS PROPRIETARY TO MOLEX ELECTRONIC TECHNOLOGIES, LLC AND SHOULD NOT BE USED WITHOUT WRITTEN PERMISSION

DIMENSION UNITS	SCALE	CURRENT REV DESC: OBSOLETE PART NO		
mm	4:1			
GENERAL TOLERANCES (UNLESS SPECIFIED)		EC NO: 625872		
	MM	INCH		
4 PLACES	±	±	DRWN: VLOKESHA 2019/09/16	
3 PLACES	±	±	CHK'D: GB 2019/11/08	
2 PLACES	±	0.25	±	APPR: GGA 2019/11/12
1 PLACE	±	0.25	±	INITIAL REVISION:
0 PLACES	±	±	±	DRWN: JJANTELEZIO 2008/01/23
ANGULAR TOL	±	0.5°		APPR: MBANAKIS 2008/01/23
DRAFT WHERE APPLICABLE MUST REMAIN WITHIN DIMENSIONS	THIRD ANGLE PROJECTION	DRAWING	SERIES	
		D-SIZE	75758	
DOCUMENT NUMBER		DOC TYPE	DOC PART	
SD-75758-010		PSD	001	
CUSTOMER		REVISION		
GENERAL MARKET		D1		
MATERIAL NUMBER		SHEET NUMBER		
SEE CHART		3 OF 3		