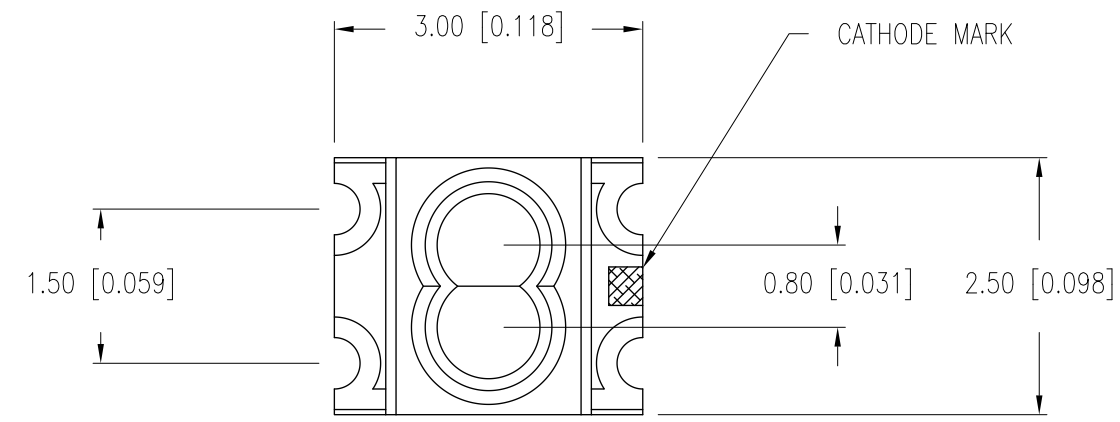
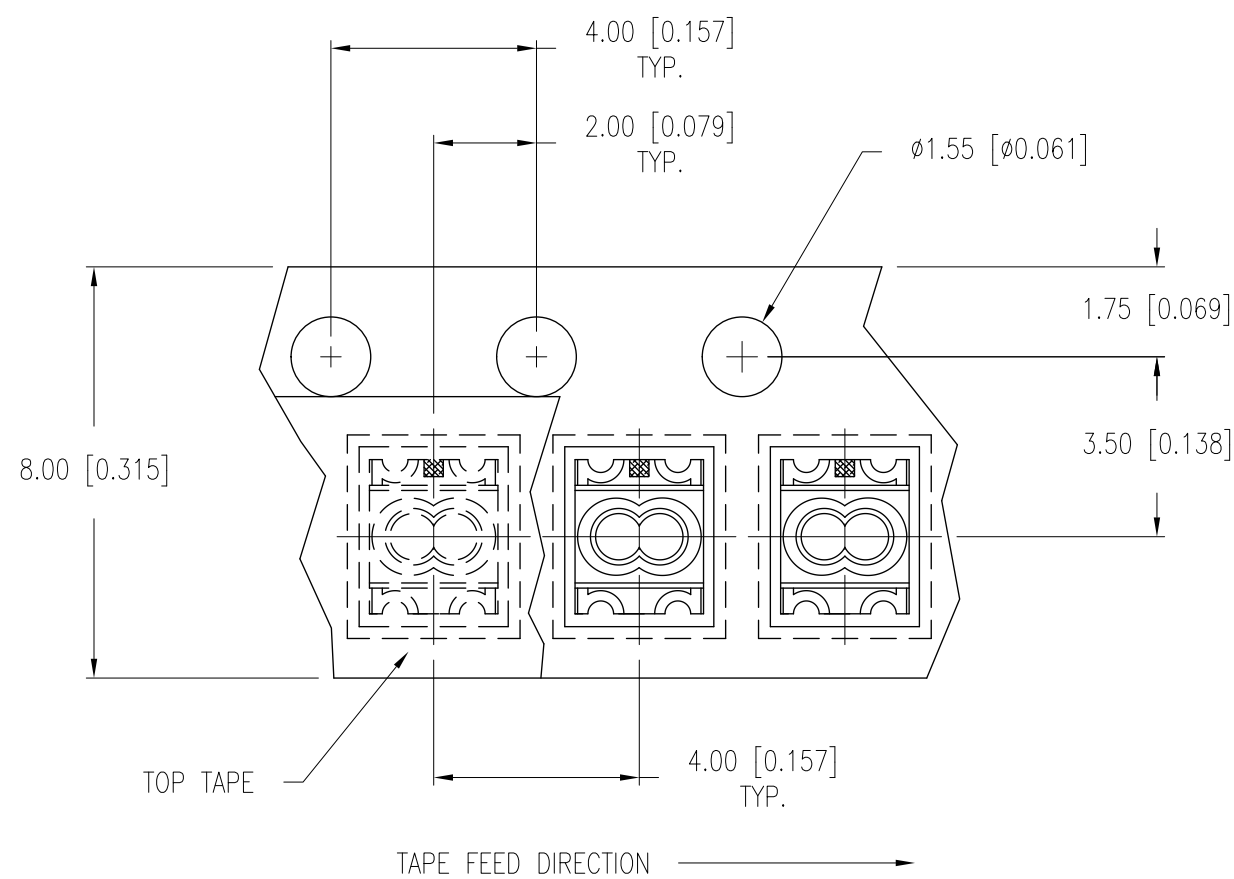
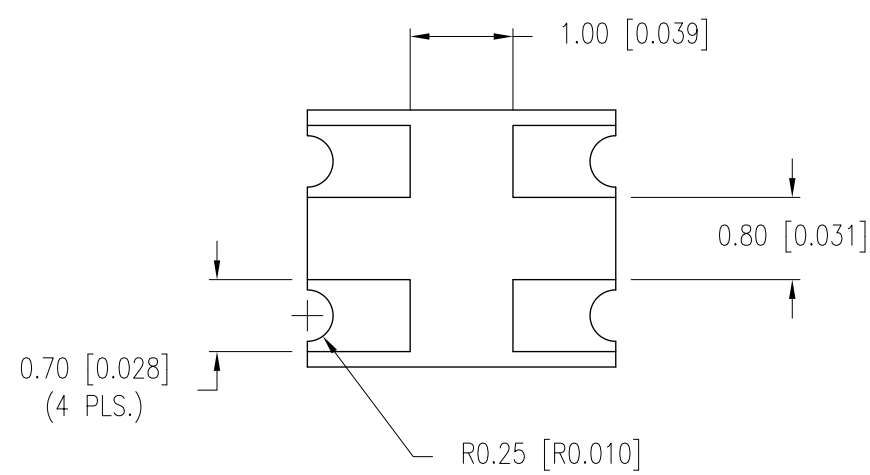
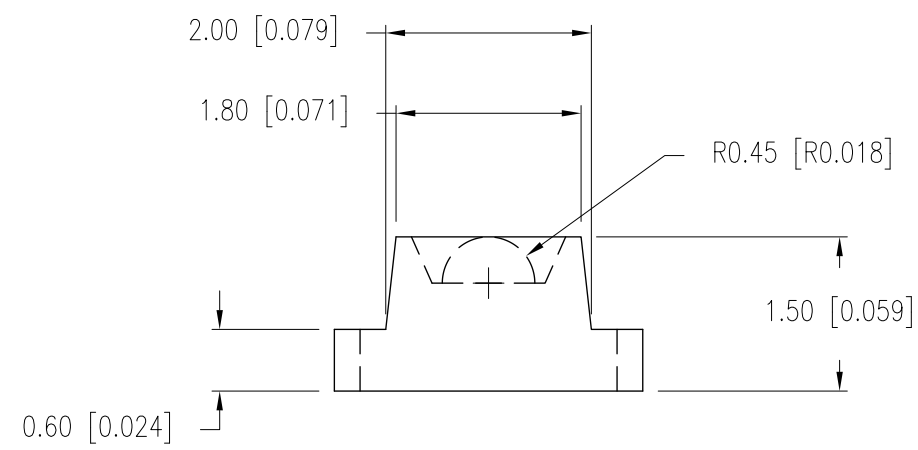
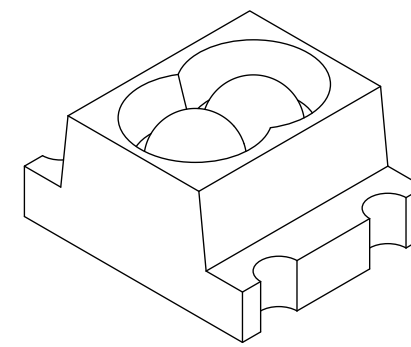
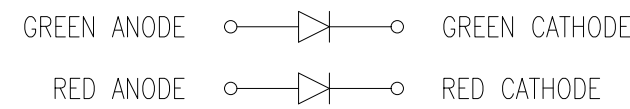


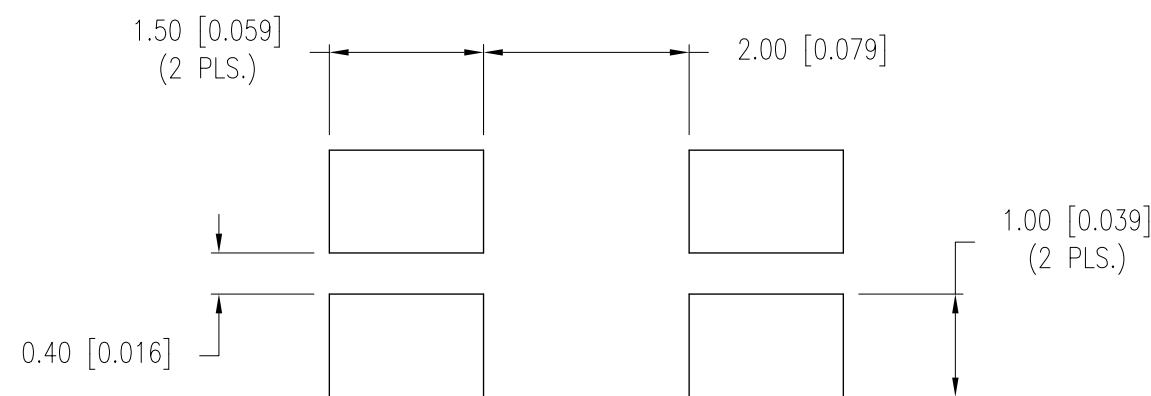
PART NUMBER	SML-LXL1210SRGC-TR	REV.	F
DATE	E.C.N. NUMBER AND REVISION COMMENTS	REV.	
05.31.01	E.C.N. #10749.	A	
09.08.01	E.C.N. #10784.	B	
03.14.03	E.C.N. #10967.	C	
05.14.07	E.C.N. #11148.	D	
05.28.10	E.C.N. #11508.	E	
11.06.18	ECN-Lumex201800168	F	



TOP VIEW POLARITY



RECOMMENDED SOLDER PAD LAYOUT



ELECTRO-OPTICAL CHARACTERISTICS $T_A=25^\circ\text{C}$ $I_f=20\text{mA}$						
PARAMETER	COLOR	MIN	TYP	MAX	UNITS	TEST COND
PEAK WAVELENGTH			660		nm	
			570		nm	
FORWARD VOLTAGE	(R/G)		1.7/2.1	2.2/2.4	V_f	
REVERSE VOLTAGE		5.0			V_r	$I_f=100\mu\text{A}$
AXIAL INTENSITY	(R/G)		35/20		mcd	$I_f=20\text{mA}$
VIEWING ANGLE			60		$2x \theta_{1/2}$	
EMITTED COLOR:	RED/GREEN					
EPOXY LENS FINISH:	WATER CLEAR					

LIMITS OF SAFE OPERATION AT 25°C

PARAMETER	MAX	UNITS
PEAK FORWARD CURRENT*	160	mA
STEADY CURRENT (R/G)	25/30	mA
POWER DISSIPATION (R/G)	60/100	mW
DERATE FROM 25°C	- 1.0	mW/°C
OPERATING TEMP.	-40 TO +85	°C
STORAGE TEMP.	-40 TO +90	°C

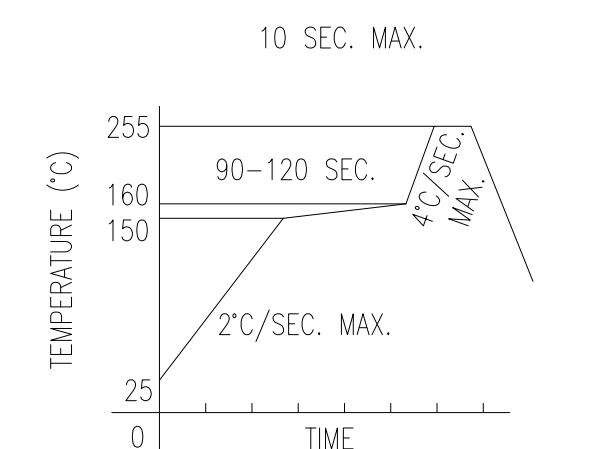
* $t < 10\mu\text{s}$

CAUTION: MOISTURE SENSITIVE DEVICE
PER JEDEC LEVEL 3 STANDARDS

NOTES:

1. THE POLARITY MARK IS ORIENTED TOWARDS THE TAPE SPROCKET HOLE.

LEAD FREE REFLOW PROFILE



TOTAL TIME ABOVE 220°C IS 60 SECONDS MAX.

*UNLESS OTHERWISE SPECIFIED TOLERANCES PER DECIMAL PRECISION ARE: X=±1 (±0.039), X.X=±0.5 (±0.020), X.XX=±0.25 (±0.010), X.XXX=±0.127 (±0.005). LEAD SIZE=±0.05 (±0.002), LEAD LENGTH=±0.75 (±0.030). MIN.=+DECIMAL PRECISION -0.00, MAX.=+0.00 -DECIMAL PRECISION



425 N. GARY AVE.
CAROL STREAM, IL 60188-4900
PHONE: 800-278-5666
FAX: 630-315-2152
WEB: WWW.LUMEX.COM

2.5mm x 3.0mm PCB, SML, SUPER RED/GREEN CHIPS, WATER CLEAR LENS, TAPE AND REEL.

THE SPECIFICATIONS MAY CHANGE AT ANY TIME WITHOUT NOTICE.

CONFIDENTIAL INFORMATION
THE INFORMATION CONTAINED IN THIS DOCUMENT IS THE PROPERTY OF LUMEX INC. EXCEPT AS SPECIFICALLY AUTHORIZED IN WRITING BY LUMEX INC., THE HOLDER OF THIS DOCUMENT SHALL KEEP ALL INFORMATION CONTAINED HEREIN CONFIDENTIAL AND SHALL PROTECT SAME IN WHOLE OR IN PART FROM DISCLOSURE AND DISSEMINATION TO ALL THIRD PARTIES.

DATE:	11.06.18	DRAWN BY:	C.S.
PAGE:	1 OF 1	CHKD BY:	E.C.
SCALE:	N/A	APRVD BY:	G.Y.
UNIT:	mm [INCH]		