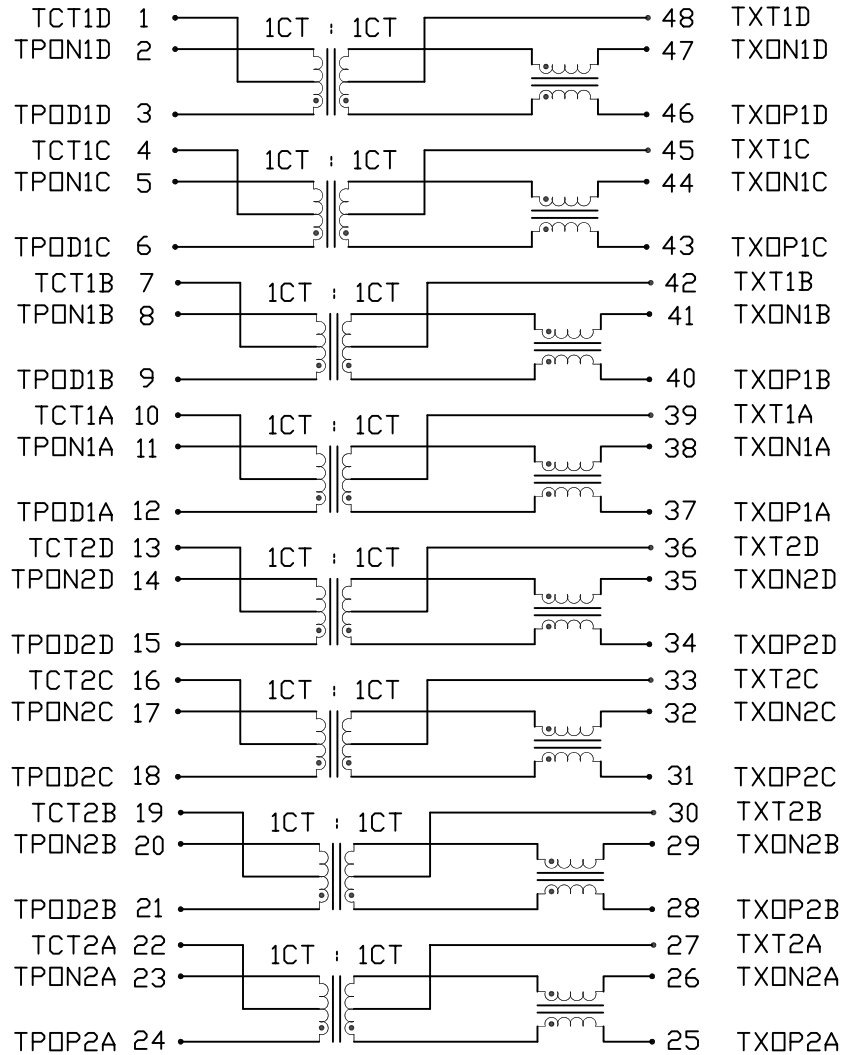


THE INFORMATION CONTAINED HEREIN IS CONSIDERED "PROPRIETARY" TO BEL FUSE INC. AND SHALL NOT BE COPIED, REPRODUCED OR DISCLOSED WITHOUT THE WRITTEN APPROVAL OF BEL FUSE INC.

RoHS



SCHEMATIC



ELECTRICAL CHARACTERISTICS @ 25°C

TURNS RATIO 1CT : 1CT ±2%
 OCL 350μH MIN. @100kHz, 100mV, WITH 8mA D.C. BIAS
 PIN (46-47), (43-44), (40-41), (37-38)
 PIN (34-35), (31-32), (28-29), (25-26)

INSERTION LOSS

FREQ.	1MHz	65MHz	100MHz	125MHz
MAX.	1.1dB	0.5dB	0.8dB	1.2dB

RETURN LOSS
MEASURED UNDER A
100 Ω ENVIRONMENT

18dB MIN. @ 0.5 TO 40 MHz
12-20LOG(f/80MHz)dB MIN. @ 40 TO 100MHz

COMMON TO COMMON
MODE REJECTION

30dB MIN. @ 0.1 TO 100MHz

CROSSTALK

33-20LOG(f/100MHz)dB MIN. @ 1 TO 100MHz

HIPOT

PER HAND-WORK-03

REV. : B PAGE : 2

ORIGINATED BY	DATE
Alice Pang	2015-04-10
DRAWN BY	DATE
ZC Guo	2015-04-10

TITLE
ELECTRICAL SPECIFICATION S558-5999-Q2-F

PART NO. / DRAWING NO.
X5585999Q2-F
FILE NAME
X5585999Q2FB.DWG

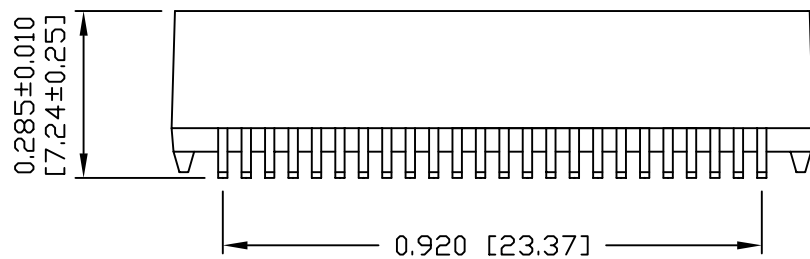
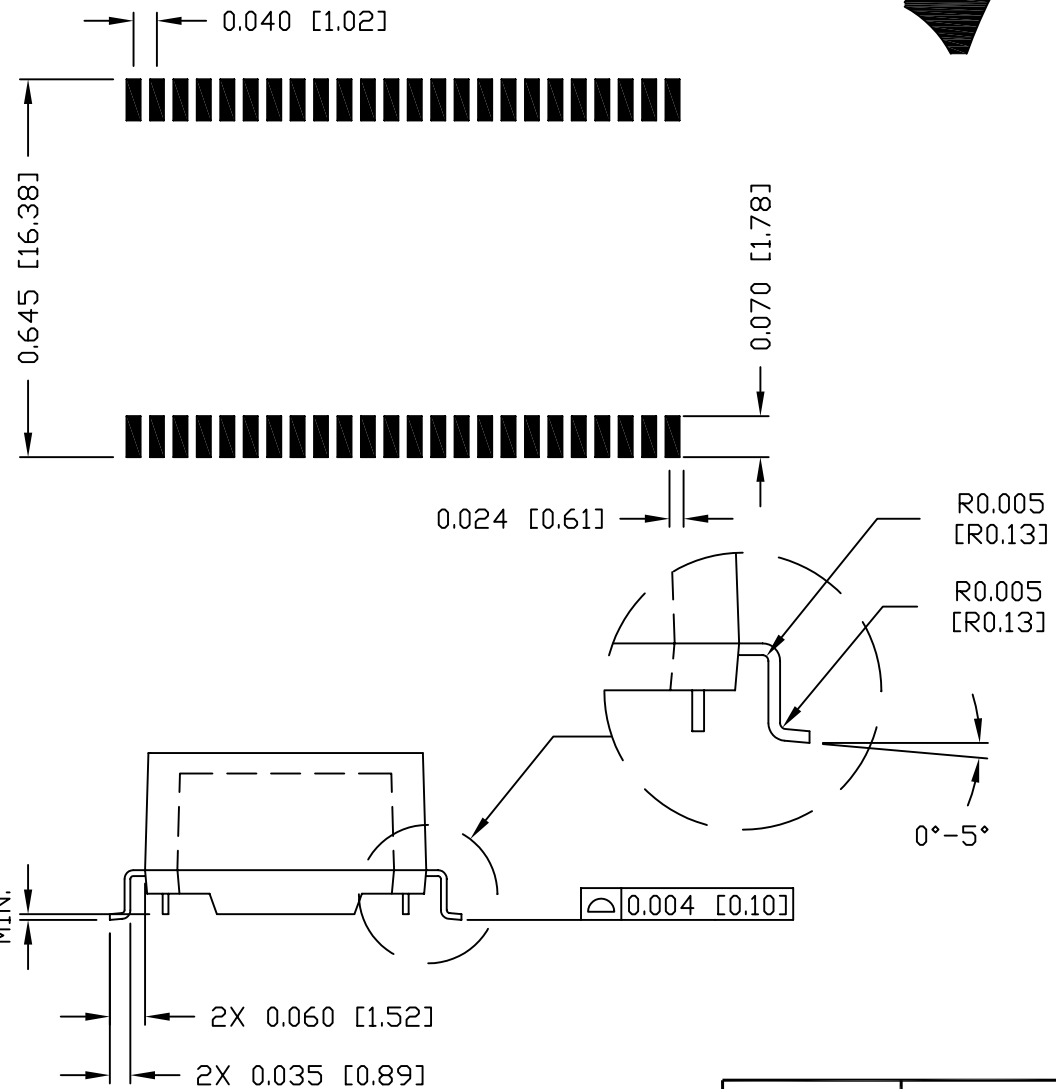
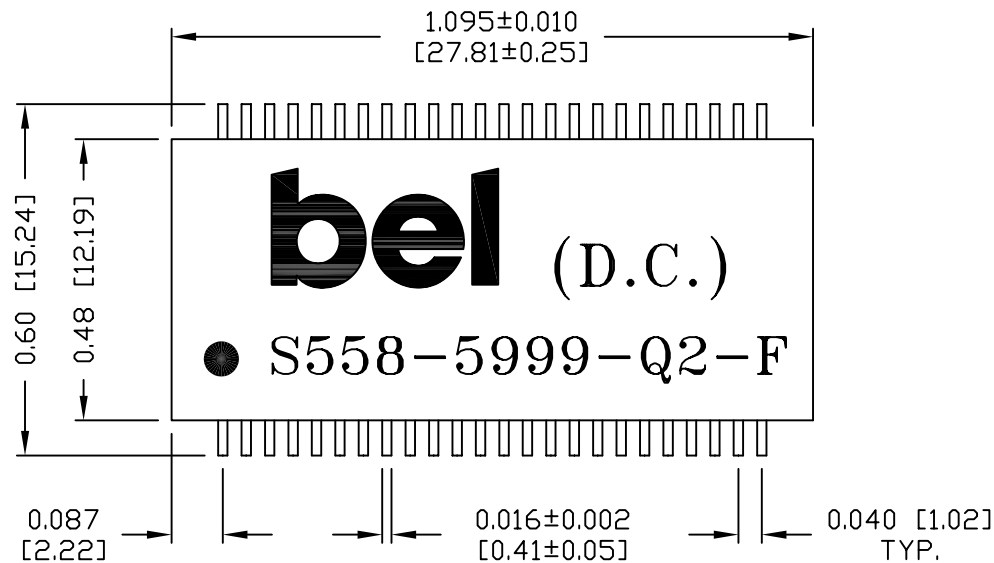
STANDARD DIM.	[] METRIC DIM. AS REF.
TOL. IN INCH	UNIT : INCH [mm]
.X	SCALE : N/A
.XX	SIZE : A4
.XXX	



THE INFORMATION CONTAINED HEREIN IS CONSIDERED "PROPRIETARY" TO BEL FUSE INC. AND SHALL NOT BE COPIED, REPRODUCED OR DISCLOSED WITHOUT THE WRITTEN APPROVAL OF BEL FUSE INC.



SUGGESTED PCB PAD LAYOUT



NOTES:

1. STANDARD MARKING REFER TO DOC. HAND-WORK-04.
2. PACKAGE CODE: "QVS001".

ORIGINATED BY		DATE	TITLE	PART NO. / DRAWING NO.	STANDARD DIM. [] METRIC DIM. AS REF.		REV. : B	PAGE : 3	
Lawrence Tsang		2015-04-10	MECHANICAL DRAWING S558-5999-Q2-F	X5585999Q2-F	TOL. IN INCH		UNIT : INCH [mm]		
DRAWN BY		DATE		FILE NAME	.X	.XX ±0.01		SCALE : N/A	
ZC Guo		2015-04-10		X5585999Q2FB.DWG	.XXX	±0.005		SIZE : A4	

