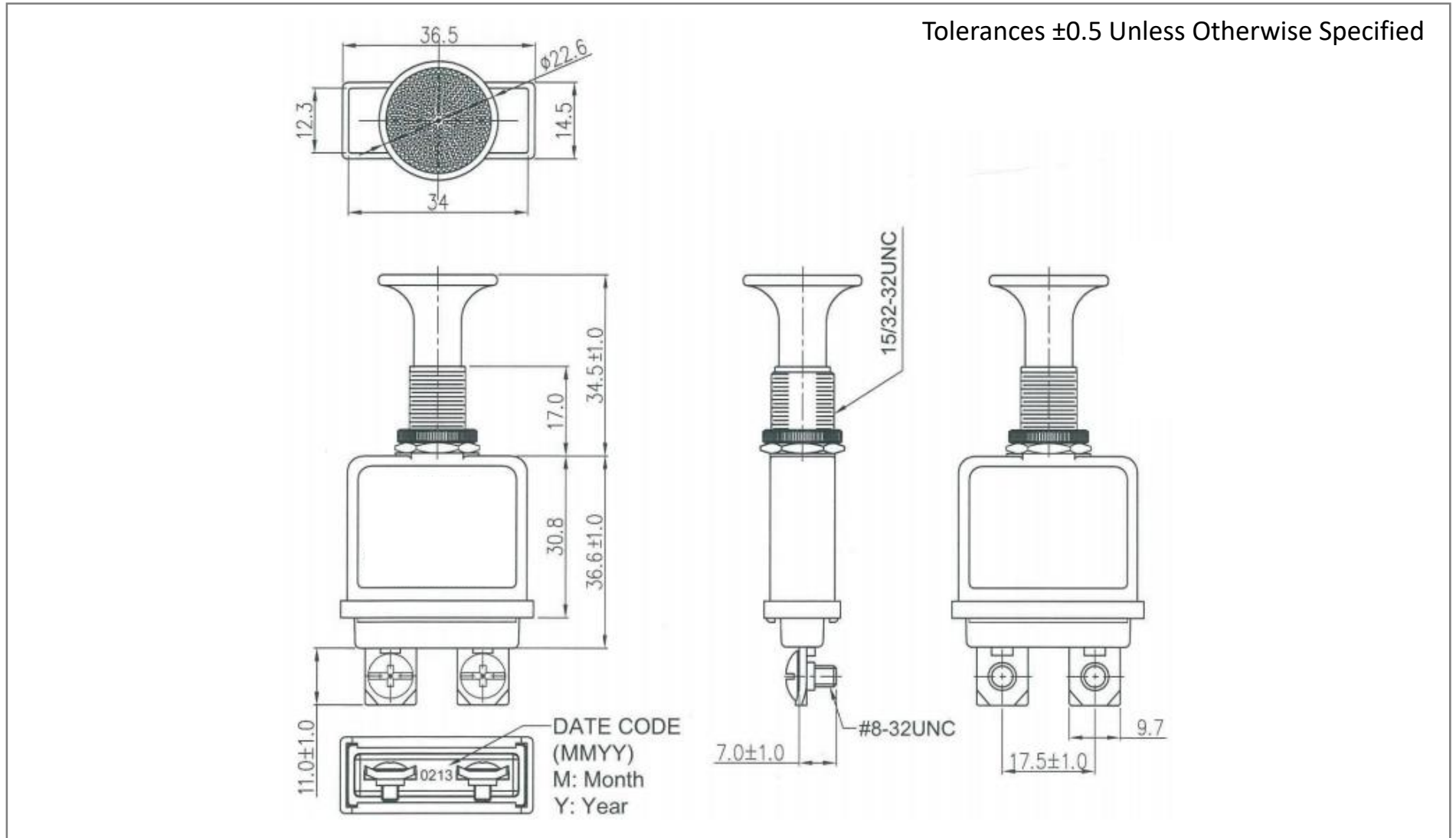
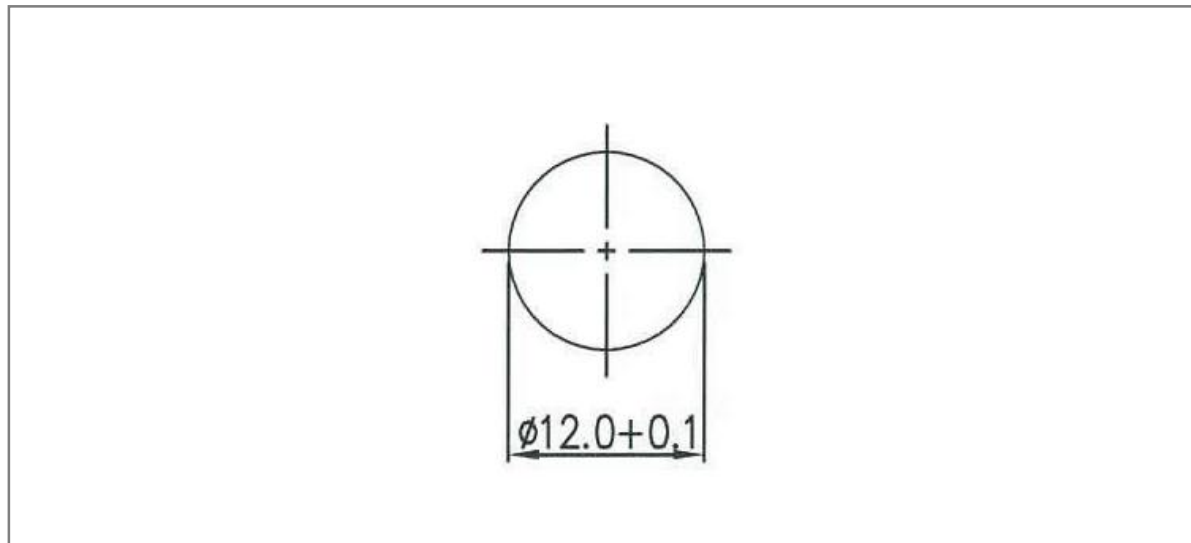


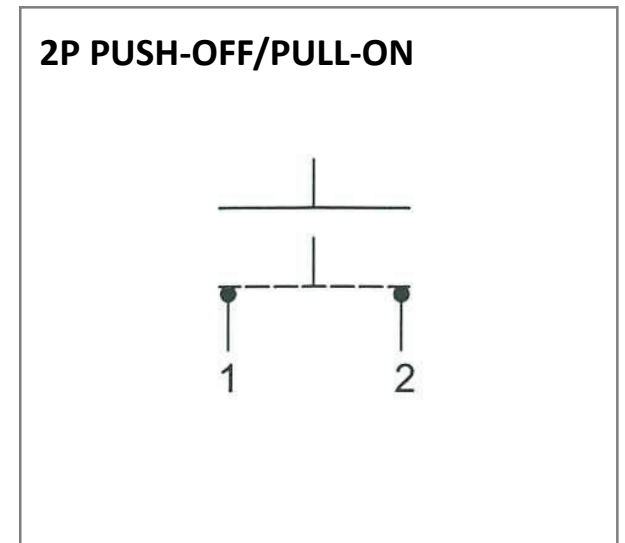
Mechanical Dimensions (mm)



Mounting Hole



Circuit Diagram



Electrical Specifications

Rating	75A,6-28V DC
Contact Resistance	50m ohm Max.
Insulation Resistance	DC 500V 100M ohm Min.
Dielectric Strength	AC 500V 1 minute
Operation Temperature	-25°C ~ 85°C

Material Specifications

Frame	Nickel plated, Zn alloy
Actuator	Red plated, Zn alloy
Terminals	Copper alloy.#8-32UNC