

Material and Finish

Body: PBT Thermoplastic,
UL94V-0 Rated
Color: Black

Contacts:

Pin #1 and #2: Brass, Tin Plated
Pin #3: Phosphor Bronze, Tin Plated
Ground: Brass, Tin Plated

Shield:

Brass, Nickel Plated

Electrical Characteristics

Contact Rating (Per Pin):

Pin #1 and #2:
7.5A Max. @ 48V DC

Pin #3:
1.0A Max. @ 48V DC

Insulation Resistance:

50 Megohms Min @ 250V DC

Dielectric Withstanding Voltage:

500V AC RMS for 1 Min.

Contact Resistance:

30 milliohms Max.

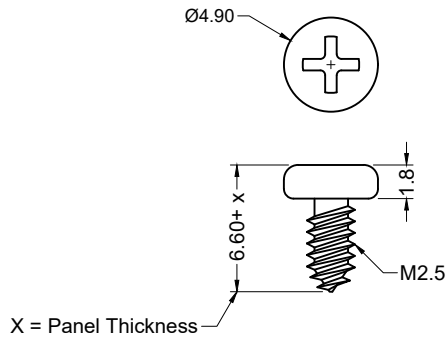
Mechanical Characteristics

Operating Temperature:

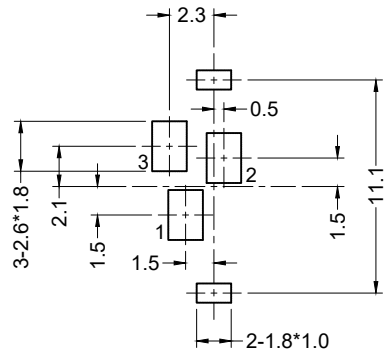
-40°C to 75°C

Note:

Recommended for use
with Kycon KPPX plug.



Recommended Mounting Screw



Recommended PCB Layout (Top View)

Tolerances

X.X ± 0.35
X.XX ± 0.25
Unless Stated
Otherwise



REV.	DATE	DESCRIPTION	REV. BY	CHK. BY	DRAWN BY	DATE
B10	02/29/16	ECO #16-005	C. Kelleher	W. Cook	A. Frederick	05/09/07
B11	08/12/16	ECO #16-021	H. MA	W. Cook		
B12	10/05/18	ECO #18-051	G. Serrato	D. Shehan		
B13	03/18/19	ECO #19-028	C. Kelleher	D. Shehan		
C0	05/06/19	ECO #19-043	C. Kelleher	D. Shehan		
C1	10/21/21	ECO #21-019	C. Kelleher	C. Furumasa		

KPJX-PM-3S-S

Power Jack, RoHS Compliant

3 Pin, Shielded, Panel Mount

