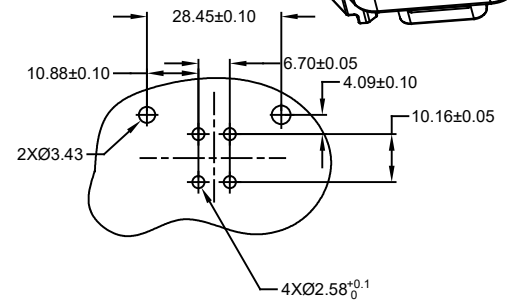
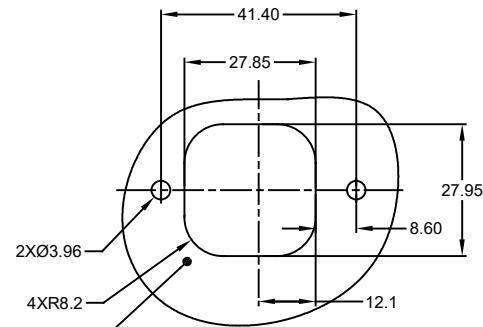
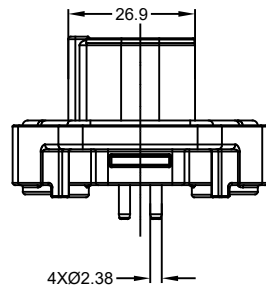
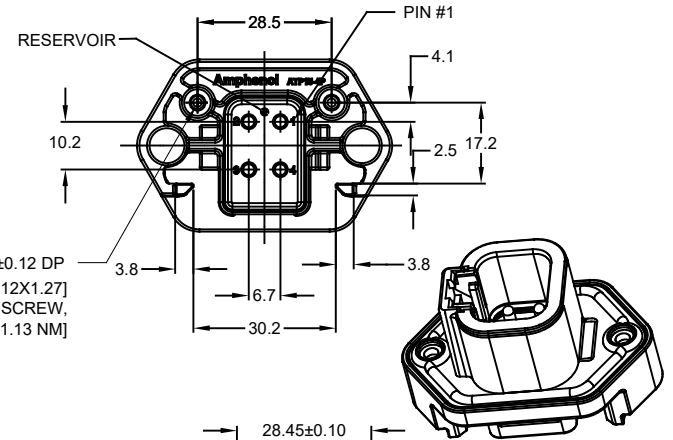
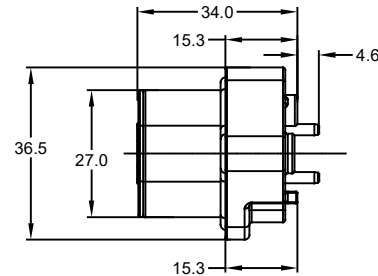
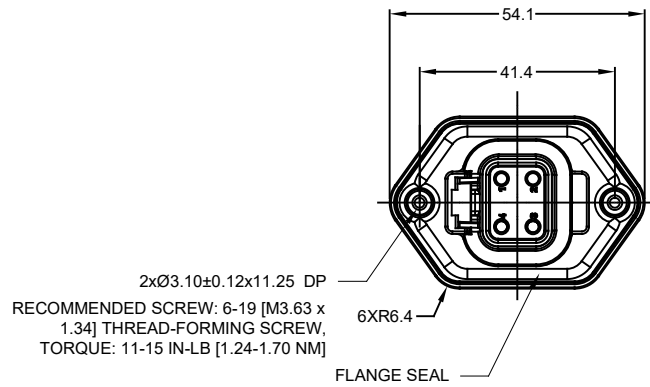


REVISIONS					
REV	ECO	DESCRIPTION	DATE	BY	APPR
A1	-	RELEASE	6JUN19	JAH	TOMMY
A2	-	REVISED DRAWING	10JUL20	JHEAD	DH



NOTES: UNLESS OTHERWISE SPECIFIED

- MATERIAL:
HOUSING: THERMOPLASTIC
SEAL: SILICONE RUBBER
CONTACT: COPPER ALLOY
- MODIFICATIONS: FLANGE; PCB MOUNT STRAIGHT
- SPECIFICATIONS:
3.1 CURRENT RATING: 25 AMPS
3.2 OPERATING TEMPERATURE: -55°C TO +125°C
3.3 DIELECTRIC WITHSTANDING VOLTAGE: LESS THAN 2 MILLIAMPS CURRENT LEAKAGE @ 1500 VOLTS AC.
3.4 INSULATION RESISTANCE: 1000 MEGOHMS MIN @ 25°C
3.5 MOISTURE RESISTANCE: IP67 (MATED CONDITION)
3.6 MATING CYCLE DURABILITY: 100 CYCLES
3.7 RoHS COMPLIANT
- MATING PART: ATP06-4S* (* = ALL MODIFICATIONS)
- ALL DIMENSIONS ARE FOR REFERENCE USE ONLY
- POTTED CONNECTORS SPECIFIED FOR UP TO 5 P.S.I. APPLICATIONS.

INTERNAL SEALING SURFACE FINISH TO BE OR BETTER $\sqrt{10.13}$

RECOMMENDED PANEL CUTOUT

RECOMMENDED PCB LAYOUT

VIEW FROM COMPONENTS SIDE OF PCB

ATP15-4P-BM0XXX VARIANTS			
CONTACT PLATING	POTTING OR NOT IN RESERVOIR	COLOR	PART NUMBER
GOLD	NO POTTING	GRAY	ATP15-4P-BM01GRY
GOLD	POTTING	GRAY	ATP15-4P-BM02GRY
TIN	NO POTTING	GRAY	ATP15-4P-BM03GRY
TIN	POTTING	GRAY	ATP15-4P-BM04GRY
GOLD	NO POTTING	BLACK	ATP15-4P-BM01BLK
GOLD	POTTING	BLACK	ATP15-4P-BM02BLK
TIN	NO POTTING	BLACK	ATP15-4P-BM03BLK
TIN	POTTING	BLACK	ATP15-4P-BM04BLK

ATP15-4P-BM0XXX		REF: DTP15-4P	
PART NUMBER		DESCRIPTION	
ITEM		ITEM	
QUANTITY			
MATERIALS LIST			
UNLESS OTHERWISE SPECIFIED		SIGNATURES	
1) All dimensions are in metric (mm).		DATE	
2) Tolerances are as follows:		DRAWN: PETER YANG 14MAY19	
1 PL DEC ±0.30 Fractions ±1/64		CHECKED: ORION LI 14MAY19	
2 PL DEC ±0.15		ENGINEER:	
3 PL DEC ±0.08		APPROVAL: TOMMY XIE 14MAY19	
3) Note reference = Δ		CUSTOMER:	
MATERIAL SPECIFICATIONS:		THIS DRAWING IS SUPPLIED FOR INFORMATION ONLY. DESIGN FEATURES, SPECIFICATIONS AND PERFORMANCE DATA SHOWN HEREON ARE THE PROPERTY OF THE AMPHENOL CORPORATION. NO RIGHTS OF REPRODUCTION ARE IMPLIED. ALL DIMENSIONS ARE SUBJECT TO NORMAL MANUFACTURING VARIATIONS.	
PROCESS SPECIFICATIONS:		SIZE TYPE DWG NO. REVISION	
NEXT ASSY:		B C- ATP15-4P-BM0XXX A2	
SCALE: NONE		SHEET 1 OF 1	

Amphenol

Sine Systems - www.amphenol-sine.com
44724 Morley Drive
Clinton Township, MI 48036

BOARDLOCK PCB MOUNT RECEPTACLE, 4 PIN, ST FLANGE, ATP SERIES

TITLE: BOARDLOCK PCB MOUNT RECEPTACLE 4PIN ST FLANGE ATP SERIES
DWG NO: ATP15-4P-BM0XXX
REV: A2
SH: 1
OF: 1