

# MATERIALS & SPECIFICATIONS

PART NO.	A28000-009	REV	ECO	DATE	APP
		G	101526	04-24-15	TLM

**HOUSING:**  
ALUMINUM 6061-T6, NICKEL PLATE  
PER SAE-AMS-2404

**INSULATOR:**  
LIQUID CRYSTAL POLYMER (LCP) PER  
ASTM D5138

**CONTACT:**  
BERYLLIUM COPPER PER ASTM B194,  
C17200, GOLD PLATED PER ASTM  
B488, (HARD GOLD) TYPE II CODE C,  
CLASS 1.27

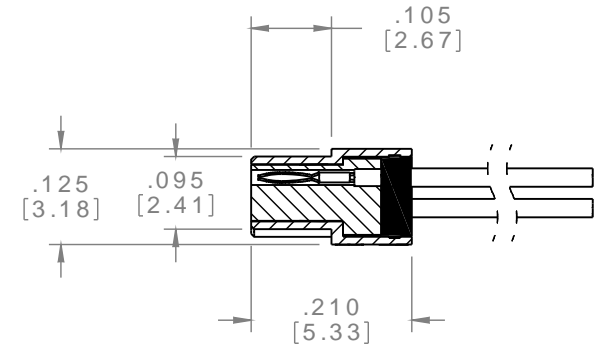
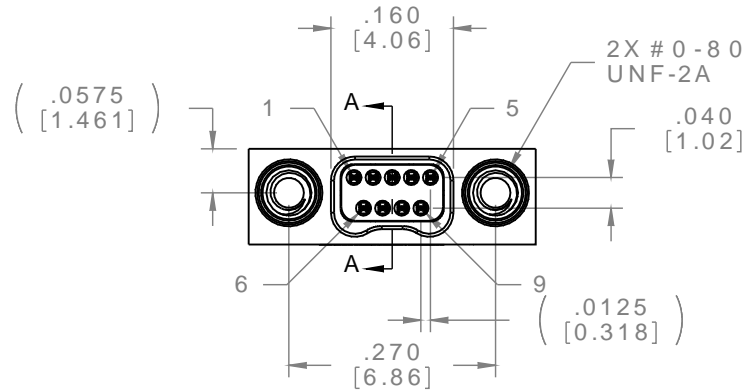
**WIRE:**  
NEMA HP3 TYPE ET, COLOR CODED  
IAW MIL-STD-681, SYSTEM 1, USING  
TEN SOLID REPEATING COLORS

**HARDWARE:**  
303 STAINLESS STEEL PER ASTM 582

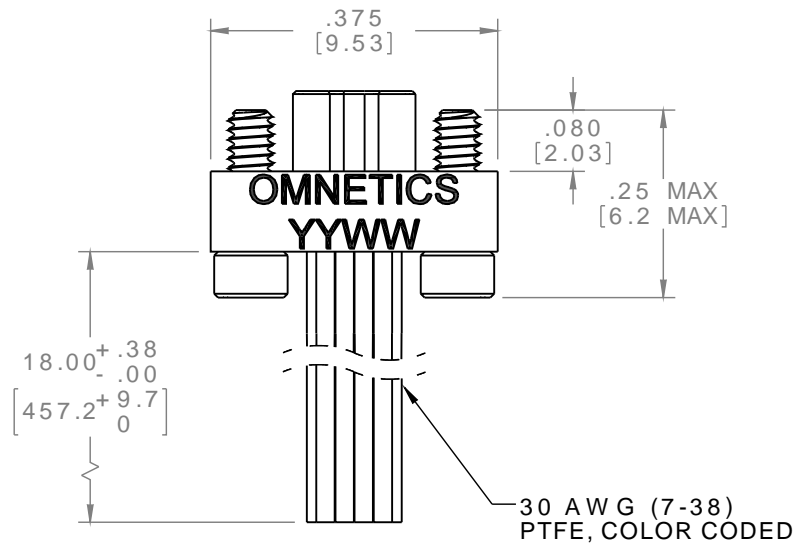
**CURRENT RATING:**  
1 AMP MAX PER MIL-DTL-32139

**CONTACT RESISTANCE:**  
71 MILLIOHM MAX (71mV DROP MAX)  
@ 1.0 AMPS PER MIL-DTL-32139

**PERFORMANCE:**  
PRODUCT FAMILY TESTED TO AND  
PASSED THE PERFORMANCE  
SPECIFICATIONS OF TABLE VIII OF  
MIL-DTL-32139



SECTION A-A  
VIEW LESS HARDWARE



ACTUAL SIZE  
EXCLUDING WIRE LENGTH

PIN #	COLOR
1	BLACK
2	BROWN
3	RED
4	ORANGE
5	YELLOW
6	GREEN
7	BLUE
8	VIOLET
9	GRAY

INTERNAL USE ONLY  
SHEET 2 OF 2 IS A  
MFG LOADING DIAGRAM

MNP O SLDW	THIRD ANGLE
	-TOLERANCES-
	UNLESS OTHERWISE NOTED
	DIMENSIONS IN INCHES
2 PL DEC ± .01	
3 PL DEC ± .005	
4 PL DEC ± .0005	
ANGLES ± 1°	

THIS DRAWING CONTAINS CONFIDENTIAL AND PROPRIETARY INFORMATION WHICH IS THE PROPERTY OF OMNETICS CONNECTOR CORP. THIS DOCUMENT MAY NOT, IN WHOLE OR IN PART, BE DUPLICATED, OR DISCLOSED FOR ANY PURPOSE, WITHOUT WRITTEN PERMISSION FROM OMNETICS CONNECTOR CORP.	
DFTM. AAS	DATE 05-05-04
CHK'D.	DATE
APP'D.	DATE
TITLE: (09) PIN MALE Bi-Lobe® CONNECTOR	

**OMNETICS**  
CONNECTOR CORPORATION  
7260 COMMERCE CIRCLE EAST  
MINNEAPOLIS, MN 55432  
WWW.OMNETICS.COM

CAGE CODE 61873	
DWG NO. A28000-009	
SHEET 1 OF 2	REV G
SCALE: 4:1	