



- 1
- 2
- 3
- 4
- 5
- 6
- 7
- 8
- 9
- 10
- 11
- 12
- 13
- 14**
- 15
- 16
- 17
- 18

**MATERIAL**

Rotor, stator, fold-away knob, closing lever and nut (M22x1.5) in glass-fibre reinforced polyamide based (PA) technopolymer certified self-extinguish UL-94 V0, black colour, matte finish.

**PACKING RING**

SBR rubber.

**INTERNAL TOOTHED WASHER**

AISI 304 stainless steel

**SELF-TAPPING SCREW**

AISI 304 stainless steel

**ROTATION**

90°.

**IP PROTECTION**

IP 65 protection class, according to EN 60529 (see page A-18).

**TECHNICAL DATA**

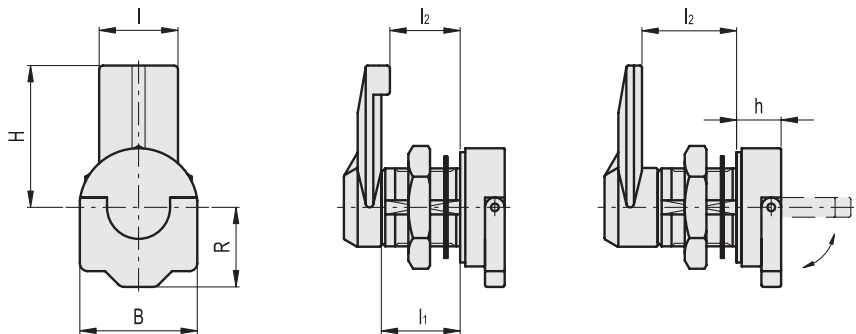
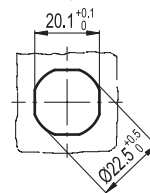
The "V0" certification in accordance with UL-94 V (Underwriters Laboratories) (see Technical data on page A-5) indicates that on a plastic test sample with specific shape and dimensions, in the vertical position, the flame is extinguished within 10 seconds, without generating incandescent drops.

**SPECIAL EXECUTIONS ON REQUEST**

Closing lever with I2 ledge in other dimensions.



Drilling template



Conversion Table			
1 mm = 0.039 inch			
H		I2	
mm	inch	mm	inch
32	1.26	18	0.71
		20	0.79
		24	0.94
		32	1.26

**METRIC**

Code	Description	H	B	R	I	I1	I2	h	⚖
421243	CMT.32-18 AE-V0	32	30	20	20	20	18	11	27
421241	CMT.32-20 AE-V0	32	30	20	20	20	20	11	26
421245	CMT.32-24 AE-V0	32	30	20	20	20	24	11	28
421247	CMT.32-32 AE-V0	32	30	20	20	20	32	11	30