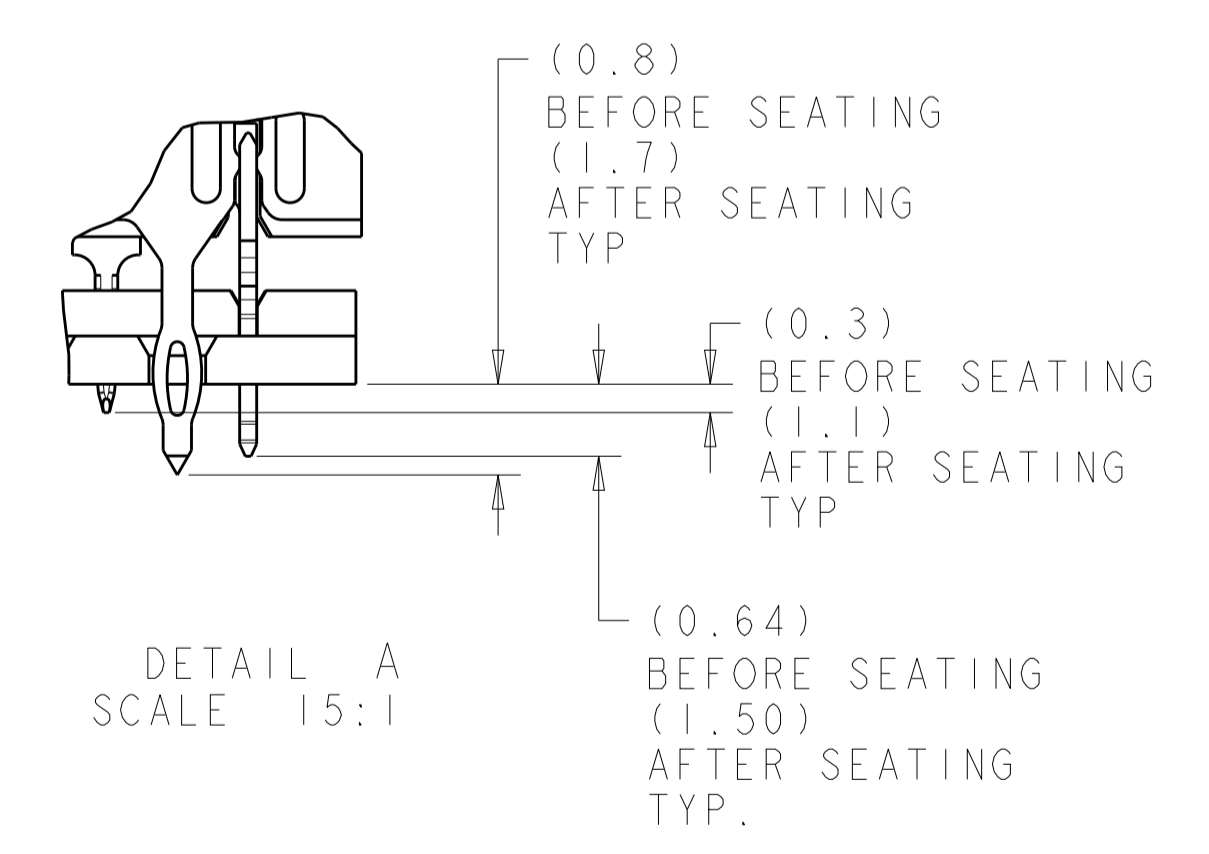
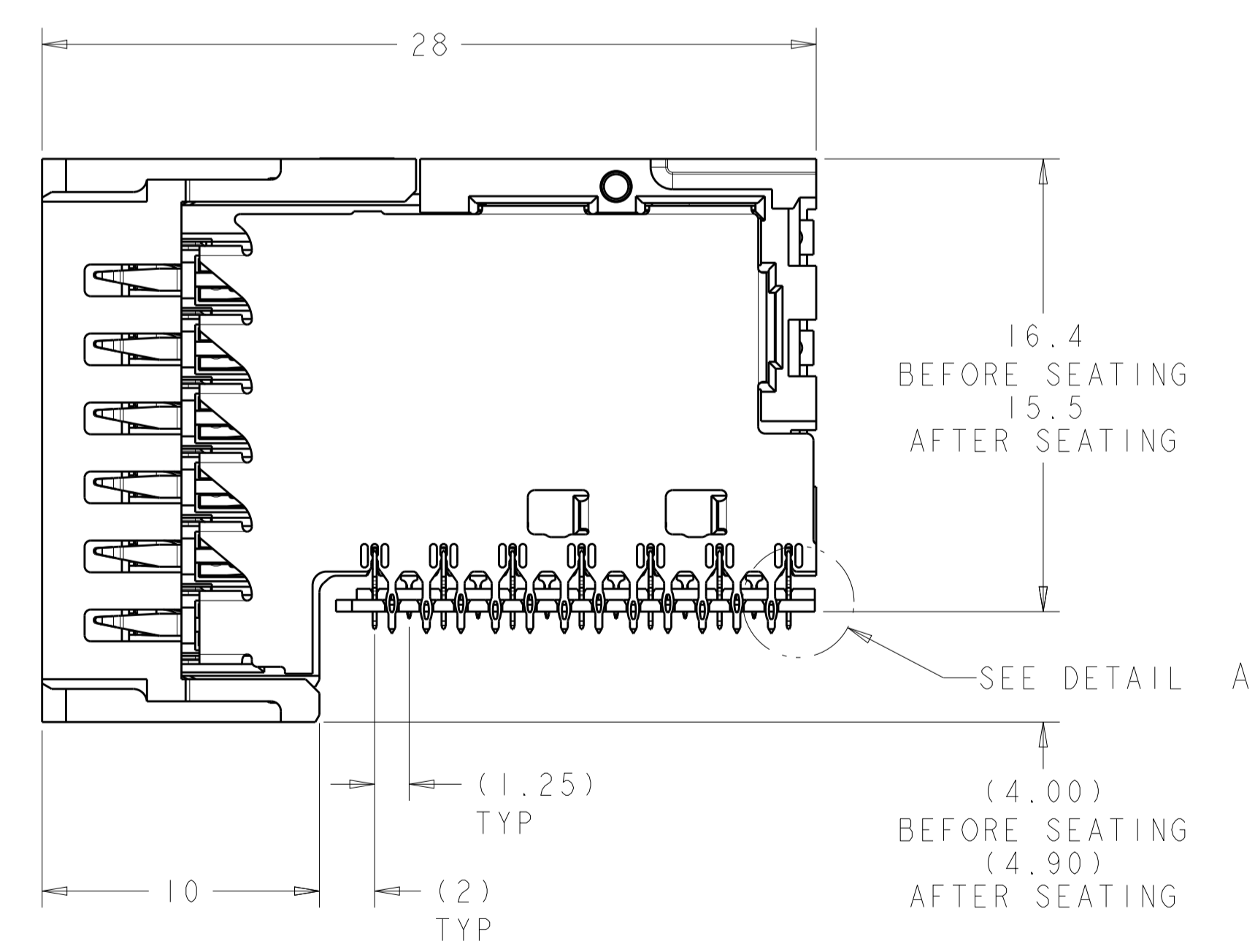
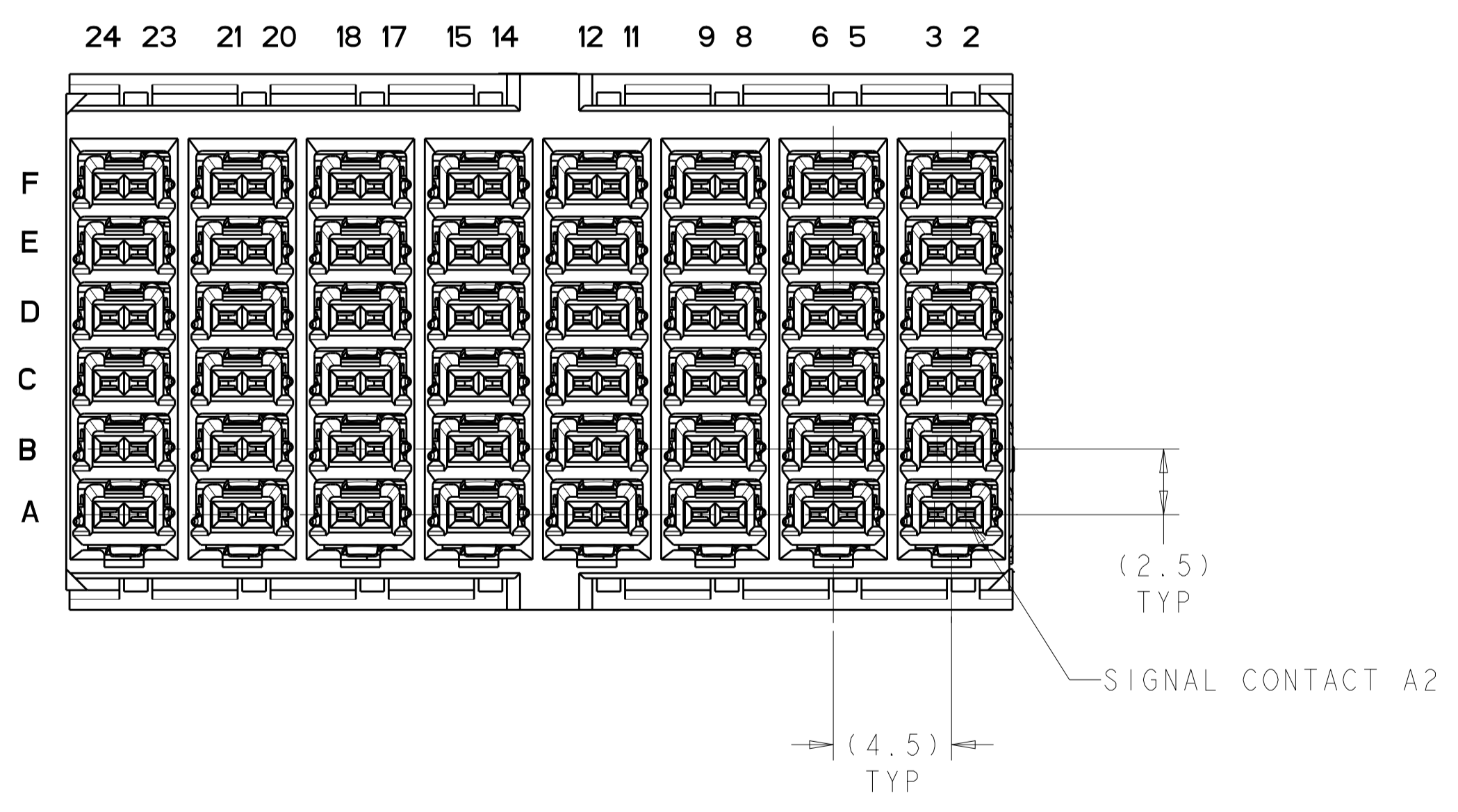
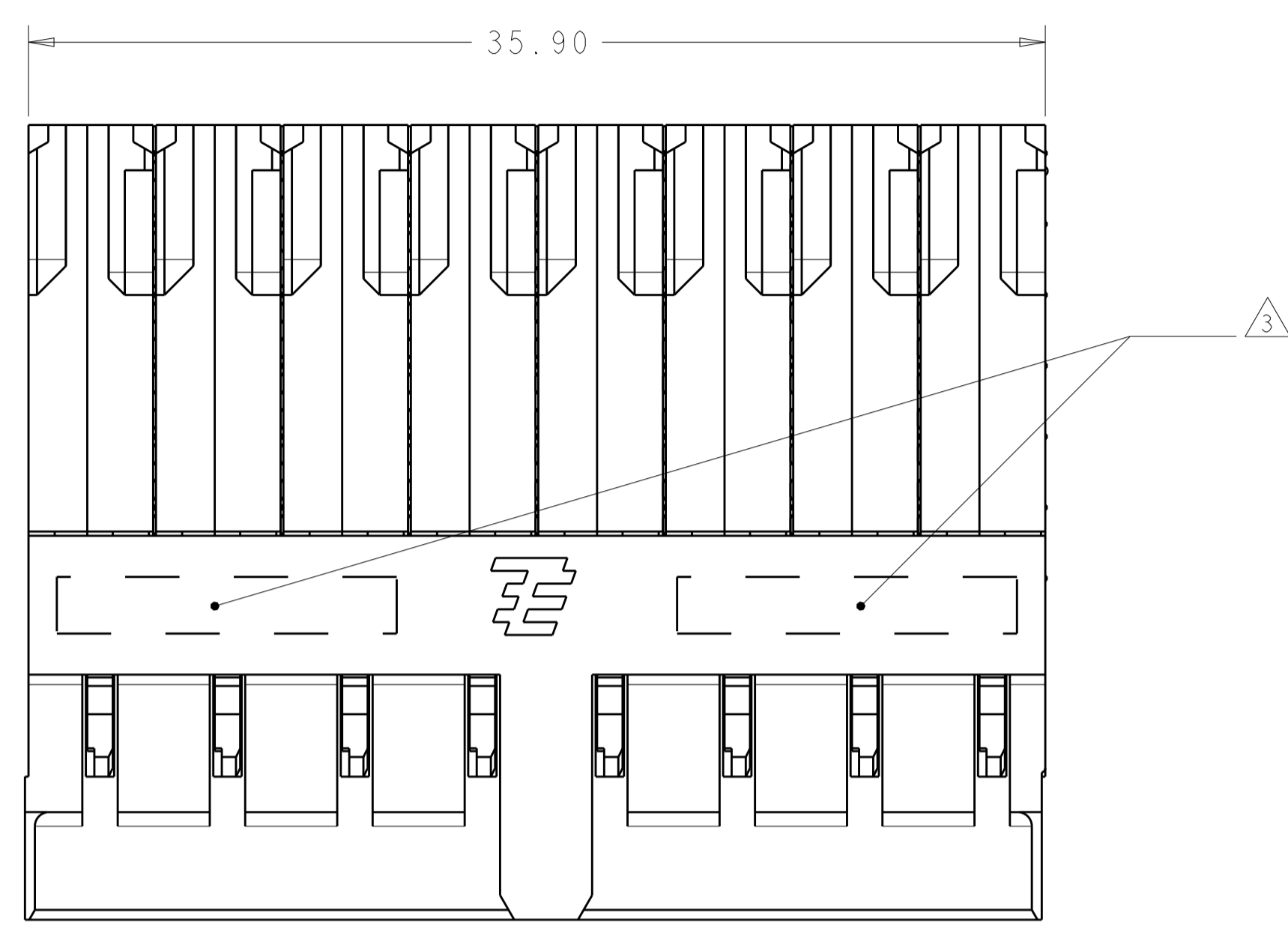


LOC	DIST	REVISIONS					
		P	LTN	DESCRIPTION	DATE	DMN	APVD
GP	00	A		PRELIMINARY	23MAR2014	RT	NS
		B		REVISED PER ECO-17-006848	10MAY2017	JM	SS

- △ MATERIAL:
CONTACT AND SHIELD - COPPER ALLOY.
HOUSINGS, AND ORGANIZER - THERMOPLASTIC, UL 94V-0, BLACK.
- △ CONFORMS TO REQUIREMENTS OF TE PRODUCT SPECIFICATION 108-2413,
BASED ON TELCORDIA GR-1217-CORE FOR SYSTEM QUALITY LEVEL III;
APPLICATIONS IN CONTROLLED ENVIRONMENTS (CENTRAL OFFICE).
- △ CONNECTOR MARKED WITH PART NUMBER, DATE CODE, AND OPTIONAL
MANUFACTURING LOCATION IDENTIFICATION CODE IN APPROXIMATE AREA SHOWN.
- 4. CONTACT AREA LUBRICATED WITH BELLCORE APPROVED LUBRICANT.
TECHNICAL REFERENCE: GR-1217-CORE, ISSUE 2, DECEMBER 2008.
- △ PLATED THRU HOLE REQUIREMENTS:
FINISHED HOLE = $\varnothing 0.344 \pm 0.039$
DRILLED HOLE = $\varnothing 0.420 \pm 0.013$
COPPER THICKNESS = 0.038 ± 0.013
IMMERSION TIN IF APPLICABLE = 0.00051 ± 0.00013
- △ PLATED THRU HOLE REQUIREMENTS:
FINISHED HOLE = $\varnothing 0.244 \pm 0.039$
DRILLED HOLE = $\varnothing 0.320 \pm 0.013$
COPPER THICKNESS = 0.038 ± 0.013
IMMERSION TIN IF APPLICABLE = 0.00051 ± 0.00013
- △ PTH DIMENSIONS APPLY TO 1.00mm DEPTH FROM MOUNT SIDE OF PCB.
- △ HOLE POSITION TOLERANCE APPLIES WITHIN PATTERN FOR CONNECTOR
PATTERN TO CONNECTOR PATTERN, A 0.12 \varnothing POSITION TOLERANCE APPLIES.

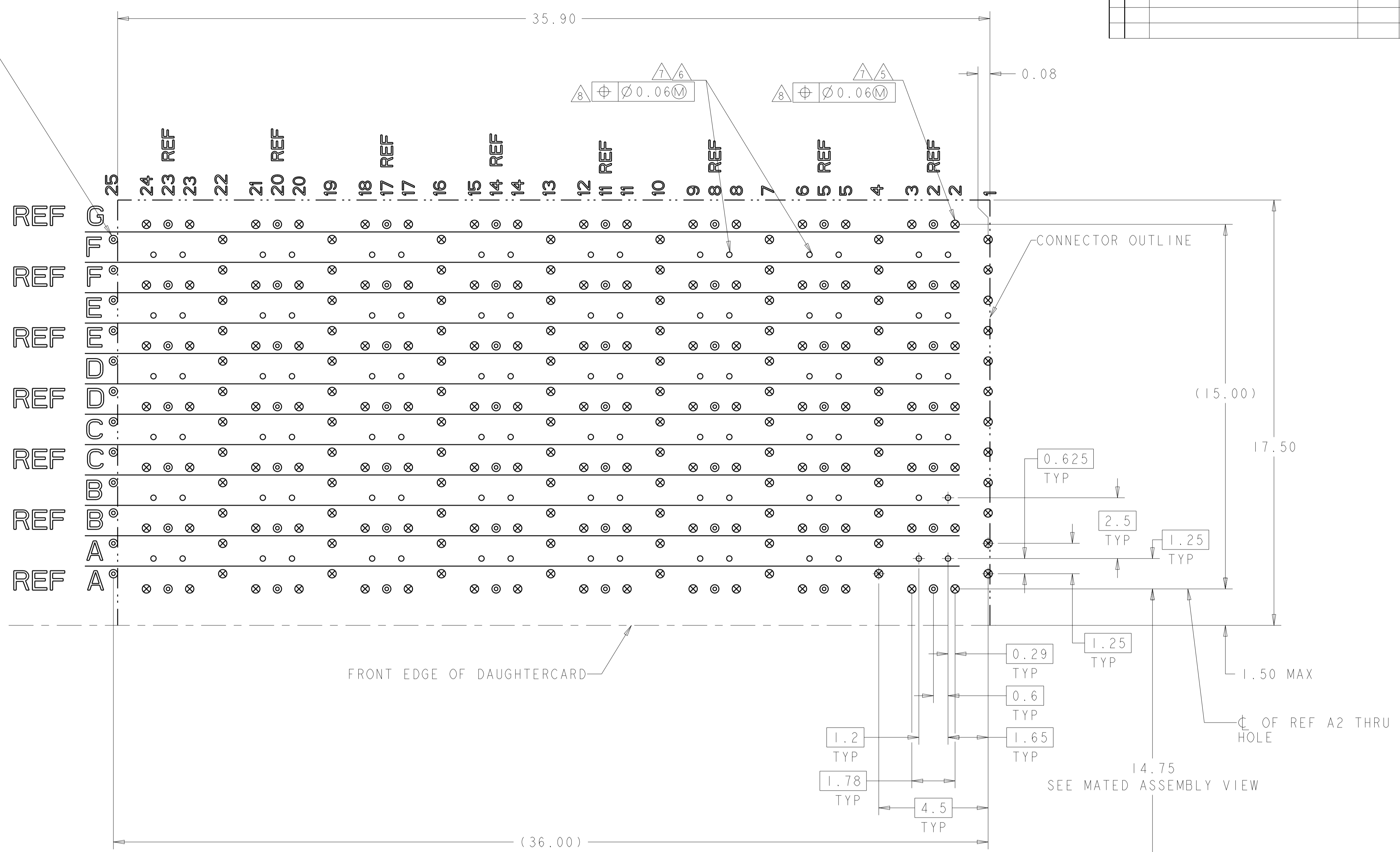


TIN	2198266-2
TIN-LEAD	2198266-1
PRESS FIT TAIL PLATING	PART NO

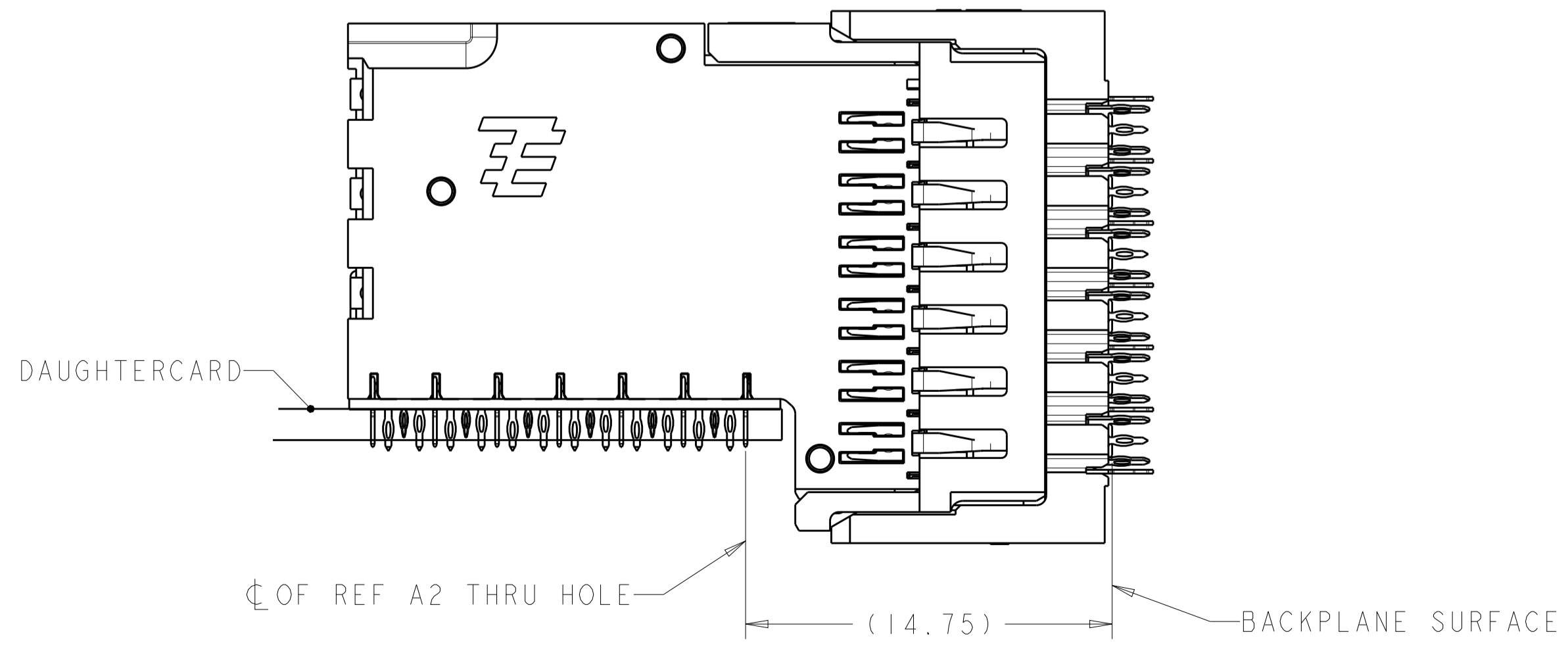
THIS DRAWING IS A CONTROLLED DOCUMENT.		DMN R. THOMPSON 29NOV2011	TE Connectivity
DIMENSIONS: mm		CHK N. SWANGER 29NOV2011	
TOLERANCES UNLESS OTHERWISE SPECIFIED:		APVD N. SWANGER 29NOV2011	NAME RECEPTACLE ASSEMBLY, 6 PAIR 8 COLUMN, RIGHT ANGLE, 4.5mm PITCH, STRADA WHISPER 360
0 PLC	± 0.2	PRODUCT SPEC	SIZE
1 PLC	± 0.2	APPLICATION SPEC	CAGE CODE
2 PLC	± 0.08	FINISH	DRAWING NO
3 PLC	± 0.013	SEE TABLE	RESTRICTED TO
4 PLC	\pm		
ANGLES	\pm		
MATERIAL		WEIGHT	A100779C=2198266
		Customer Drawing	SCALE 5:1 SHEET 1 OF 2 REV B

LOC		DIST		REVISIONS			
GP	00	P	LYR	DESCRIPTION	DATE	OWN	APVD
		-		SEE SHEET 1			

FOOTPRINT SHOWN IS FOR SINGLE MODULE APPLICATION. WHEN CONNECTORS ARE STACKED SIDE BY SIDE, THESE SI VIAS ARE USED AS GROUNDS BY THE NEXT CONNECTOR



PCB LAYOUT
 COMPONENT SIDE SHOWN
 SCALE 10:1



MATED ASSEMBLY VIEW
 SCALE 5:1

- = SIGNAL
- ⊗ = GROUND
- ⊙ = SIGNAL INTEGRITY VIA TO GROUND

THIS DRAWING IS A CONTROLLED DOCUMENT.		OWN K. THOMPSON 29NOV2011	TE Connectivity RECEPTACLE ASSEMBLY, 6 PAIR 8 COLUMN, RIGHT ANGLE, 4.5mm PITCH, STRADA WHISPER 360
DIMENSIONS:		CHK N. SWANGER 29NOV2011	
mm	TOLERANCES UNLESS OTHERWISE SPECIFIED:	APVD N. SWANGER 29NOV2011	NAME
0 PLC	±0.2	PRODUCT SPEC	SIZE
1 PLC	±0.2	APPLICATION SPEC	CAGE CODE
2 PLC	±0.08	WEIGHT	DRAWING NO
3 PLC	±0.013	Customer Drawing	SCALE
4 PLC	±		SHEET
ANGLES	±		OF
FINISH			2
			REV
			B