

Printed-circuit board connector - MSTB 2,5/ 2-GF-5,08 EX - 1795666

Please be informed that the data shown in this PDF Document is generated from our Online Catalog. Please find the complete data in the user's documentation. Our General Terms of Use for Downloads are valid (<http://phoenixcontact.com/download>)

PCB headers, nominal current: 12 A, nominal current (Ex): 12 A, nominal voltage (Ex): 176 V, number of positions: 2, pitch: 5.08 mm, color: green, contact surface: Tin, mounting: Wave soldering



The figure shows a 10-position version of the product

Your advantages

- ✓ Maximum flexibility when it comes to device design – one header for connectors with different connection technologies
- ✓ Easy PCB replacement thanks to plug-in modules
- ✓ Well-known mounting principle allows worldwide use
- ✓ Satisfies the more stringent safety requirements of “Ex eb” protection according to IEC 60079-7 for potentially explosive areas



Key Commercial Data

| | |
|--------------|---------------|
| Packing unit | 50 pc |
| GTIN | |
| GTIN | 4046356635868 |

Technical data

Item properties

| | |
|---------------------------|-----------------------|
| Brief article description | Feed-through header |
| Plug-in system | CLASSIC COMBICON (EX) |
| Type of contact | Male connector |
| Range of articles | MSTB 2,5/..-GF-EX |
| Pitch | 5.08 mm |
| Number of positions | 2 |
| Mounting type | Wave soldering |
| Pin layout | Linear pinning |
| Locking | Threaded flange |
| Number of levels | 1 |
| Number of connections | 2 |

Printed-circuit board connector - MSTB 2,5/ 2-GF-5,08 EX - 1795666

Technical data

Item properties

| | |
|----------------------|---|
| Number of potentials | 2 |
|----------------------|---|

Electrical parameters

| | |
|---------------|------|
| Rated current | 12 A |
|---------------|------|

Material data - contact

| | |
|---|---|
| Note | WEEE/RoHS-compliant, free of whiskers according to IEC 60068-2-82/ JEDEC JESD 201 |
| Contact material | Cu alloy |
| Surface characteristics | Tin-plated |
| Metal surface contact area (top layer) | Tin (3 - 5 µm Sn) |
| Metal surface contact area (middle layer) | Nickel (1.3 - 3 µm Ni), |
| Metal surface soldering area (top layer) | Tin (3 - 5 µm Sn) |
| Metal surface soldering area (middle layer) | Nickel (1.3 - 3 µm Ni) |

Material data - housing

| | |
|---|--------|
| Insulating material | PA |
| Insulating material group | I |
| CTI according to IEC 60112 | 600 |
| Flammability rating according to UL 94 | V0 |
| Glow wire flammability index GWFI according to EN 60695-2-12 | 850 |
| Glow wire ignition temperature GWIT according to EN 60695-2-13 | 775 |
| Temperature for the ball pressure test according to EN 60695-10-2 | 125 °C |

Dimensions for the product

| | |
|-----------------------------|----------|
| Length [l] | 12 mm |
| Width [w] | 20.32 mm |
| Height [h] | 12.1 mm |
| Pitch | 5.08 mm |
| Height (without solder pin) | 8.6 mm |
| Solder pin [P] | 3.5 mm |
| Pin dimensions | 1 x 1 mm |
| Dimension a | 5.08 mm |

Dimensions for PCB design

| | |
|---------------|--------|
| Hole diameter | 1.4 mm |
|---------------|--------|

Packaging information

| | |
|----------------------------|---------------------|
| Type of packaging | packed in cardboard |
| Pieces per package | 50 |
| Denomination packing units | Pcs. |

Ambient conditions

| | |
|---|------------------|
| Ambient temperature (storage/transport) | -40 °C ... 70 °C |
| Ambient temperature (assembly) | 5 °C ... 100 °C |

Printed-circuit board connector - MSTB 2,5/ 2-GF-5,08 EX - 1795666

Technical data

Ambient conditions

| | |
|---------------------------------|---|
| Ambient temperature (operation) | -40 °C ... 100 °C (dependent on the derating curve) |
|---------------------------------|---|

Standards and Regulations

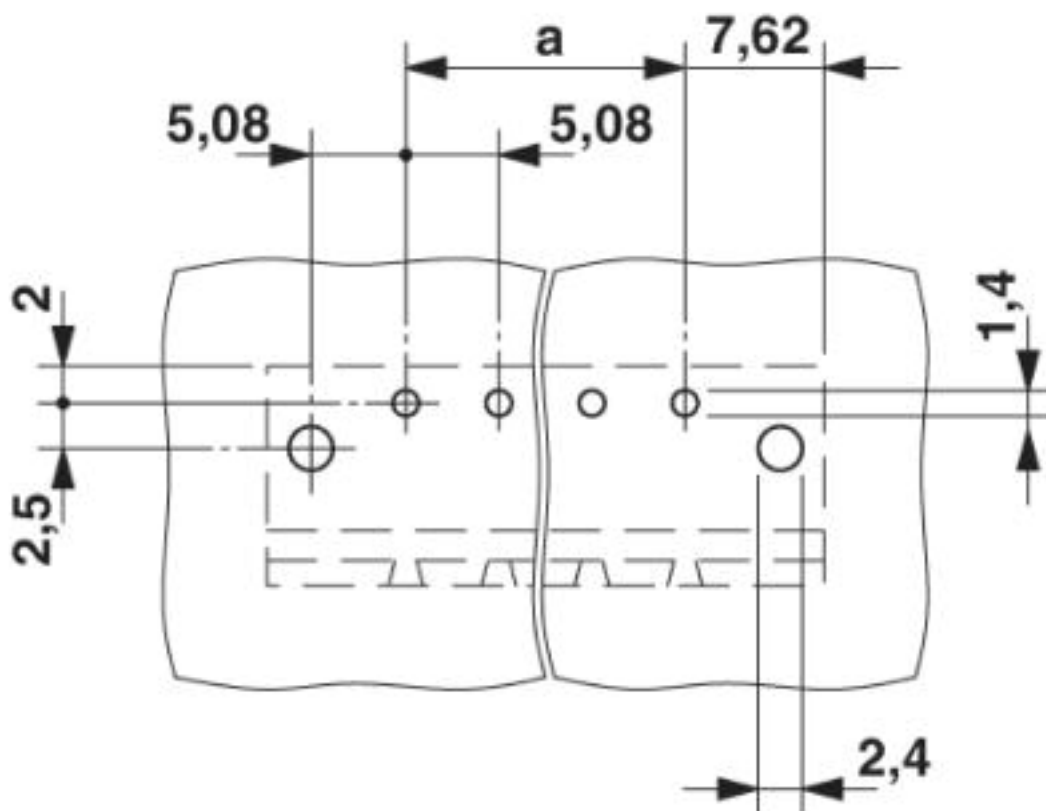
| | |
|--|--------|
| Connection in acc. with standard | EN-VDE |
| Flammability rating according to UL 94 | V0 |

Environmental Product Compliance

| | |
|------------|---|
| | Lead 7439-92-1 |
| China RoHS | Environmentally Friendly Use Period = 50 |
| | For details about hazardous substances go to tab "Downloads", Category "Manufacturer's declaration" |

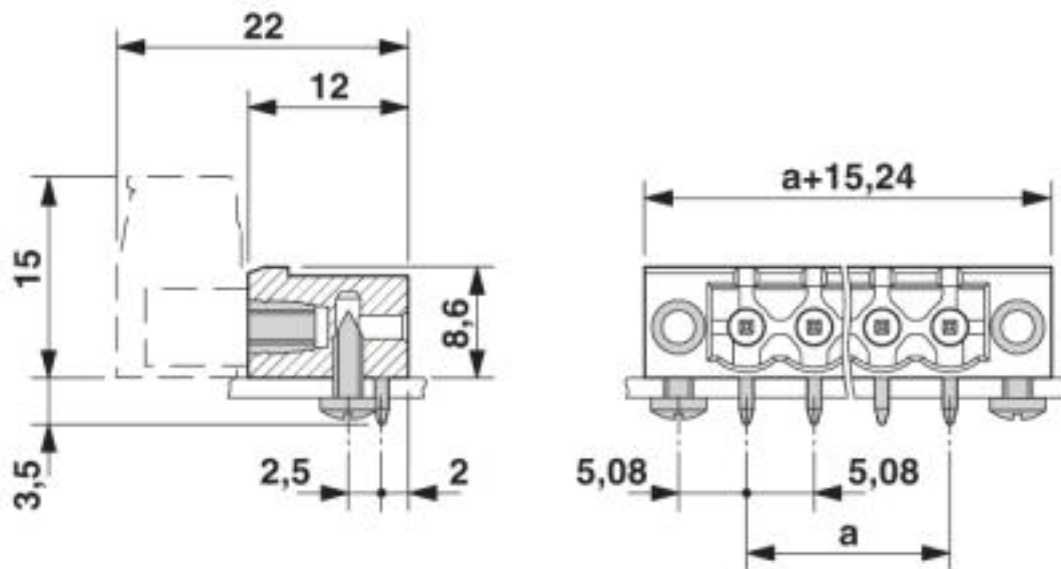
Drawings

Drilling diagram



Printed-circuit board connector - MSTB 2,5/ 2-GF-5,08 EX - 1795666

Dimensional drawing



Approvals

Approvals

Approvals

EAC / cULus Recognized

Ex Approvals

IECEX / ATEX / EAC Ex

Approval details

| | | |
|-----|--|---------|
| EAC | | B.01742 |
|-----|--|---------|

| | | | |
|------------------|--|---|-----------------|
| cULus Recognized | | http://database.ul.com/cgi-bin/XYV/template/LISEXT/1FRAME/index.htm | E60425-19931011 |
|------------------|--|---|-----------------|

| | B | D |
|--------------------|-------|-------|
| Nominal voltage UN | 300 V | 150 V |
| Nominal current IN | 15 A | 15 A |

Phoenix Contact 2019 © - all rights reserved
<http://www.phoenixcontact.com>

PHOENIX CONTACT GmbH & Co. KG
Flachmarktstr. 8
32825 Blomberg
Germany
Tel. +49 5235 300
Fax +49 5235 3 41200
<http://www.phoenixcontact.com>