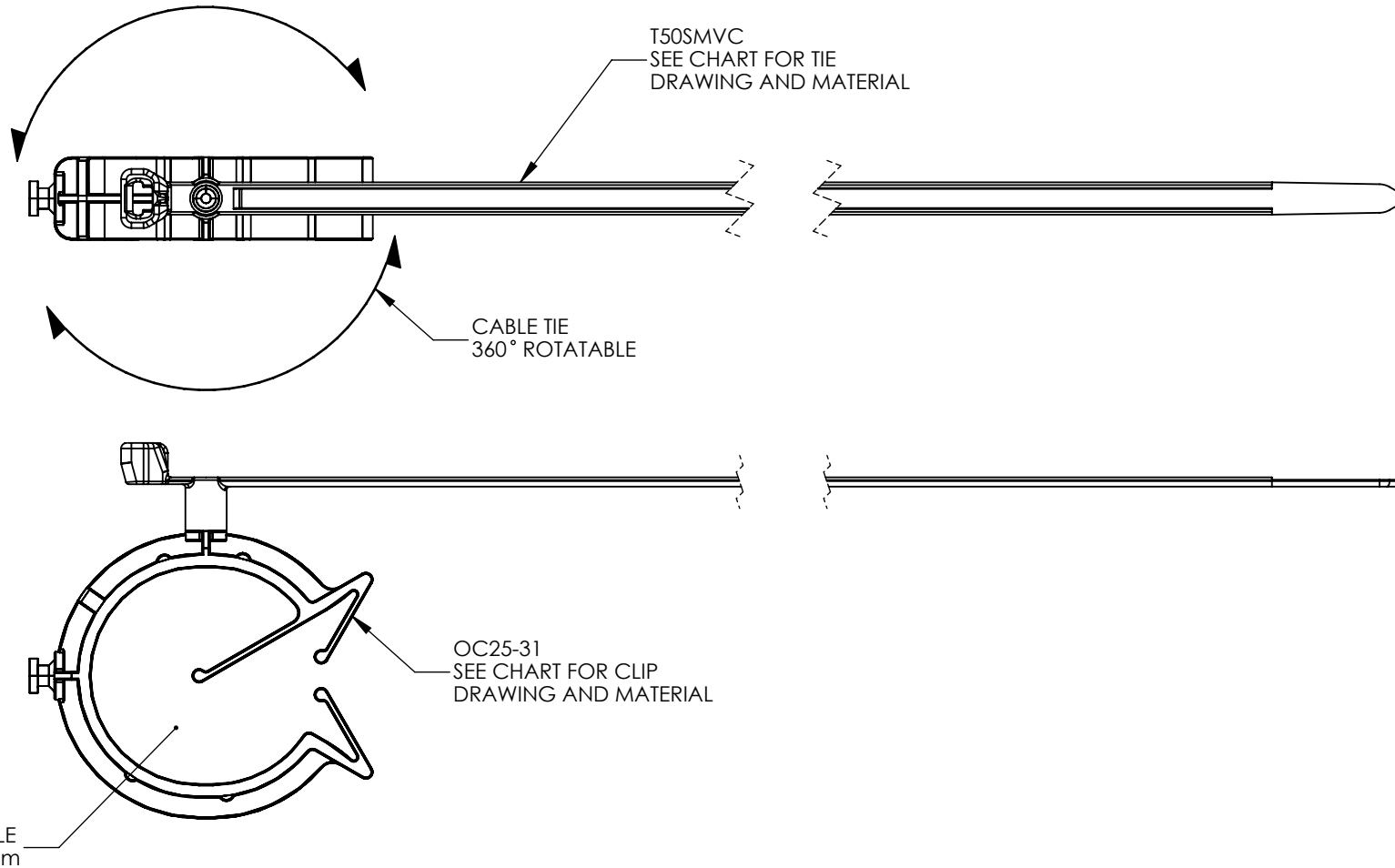


SW2011



Revision level			Revision Record	Changed	Date	Approved	Date
Drawing	State	Part					
00.0	Design Release	-	SEE ECN# 012883	AAC	12/04/14	KAC	12/04/14



TYPE	BUNDLE DIAMETER	CABLE TIE		CLIP	
		DRAWING	MATERIAL	DRAWING	MATERIAL
T50SMVCOC25-31	2 to 50	14-0606-002-CSU	PA66HS	06-0209-001-CSG-HTIC	PA66IMHS

Material SEE CHART	Units: <b>millimeters</b>	The copyright of this drawing is reserved by HellermannTyton. It is issued on condition that it is not reproduced, copied, or disclosed to a third party, either wholly or in part, without the consent of HellermannTyton.	Drawn	AAC	12/04/14	Article/Type-No	T50SMVCOC25-31	Scale	1:1
	Dimension without tolerances details to: .XXX = ±.013 .XX = ±.13 .X = ±.3 None = ±.8 ∠ = ±0.5° Dimension Formatted mm/[in]		Approved	KAC	12/04/14	Title	<b>T50SMVCOC25-31 T50SMVC CABLE TIE WITH OMEGA CLIP 25-31</b>	Project Number	PRP 06-0209
	 North America Email: corp@htamericas.com Web: www.hellermann.tyton.com		Drawing-No	Production : Phase		Format	AH		
			<b>06-0209-004-CSU</b>		Sheet	1/1			