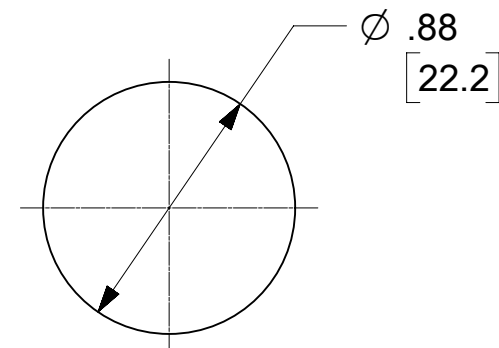
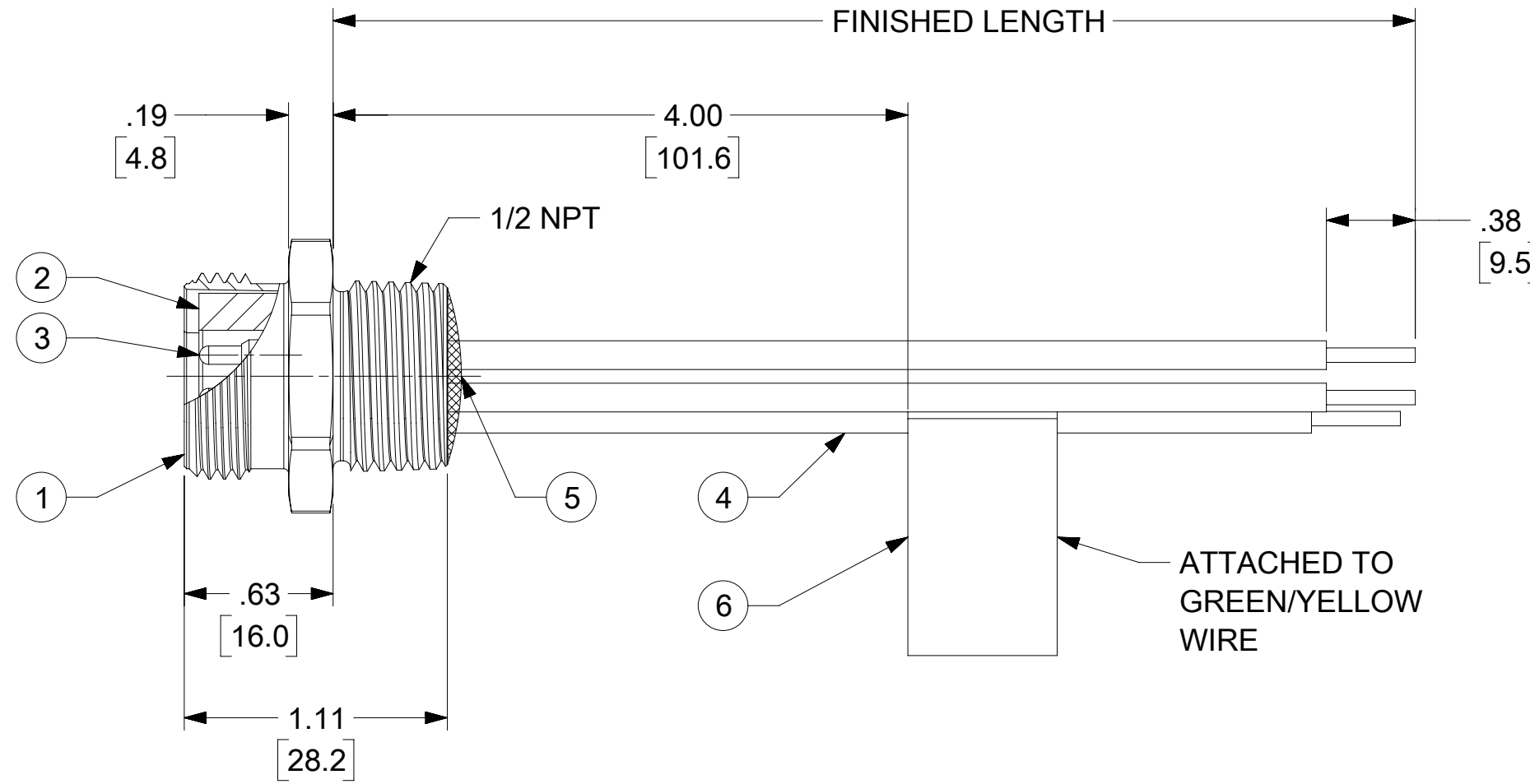
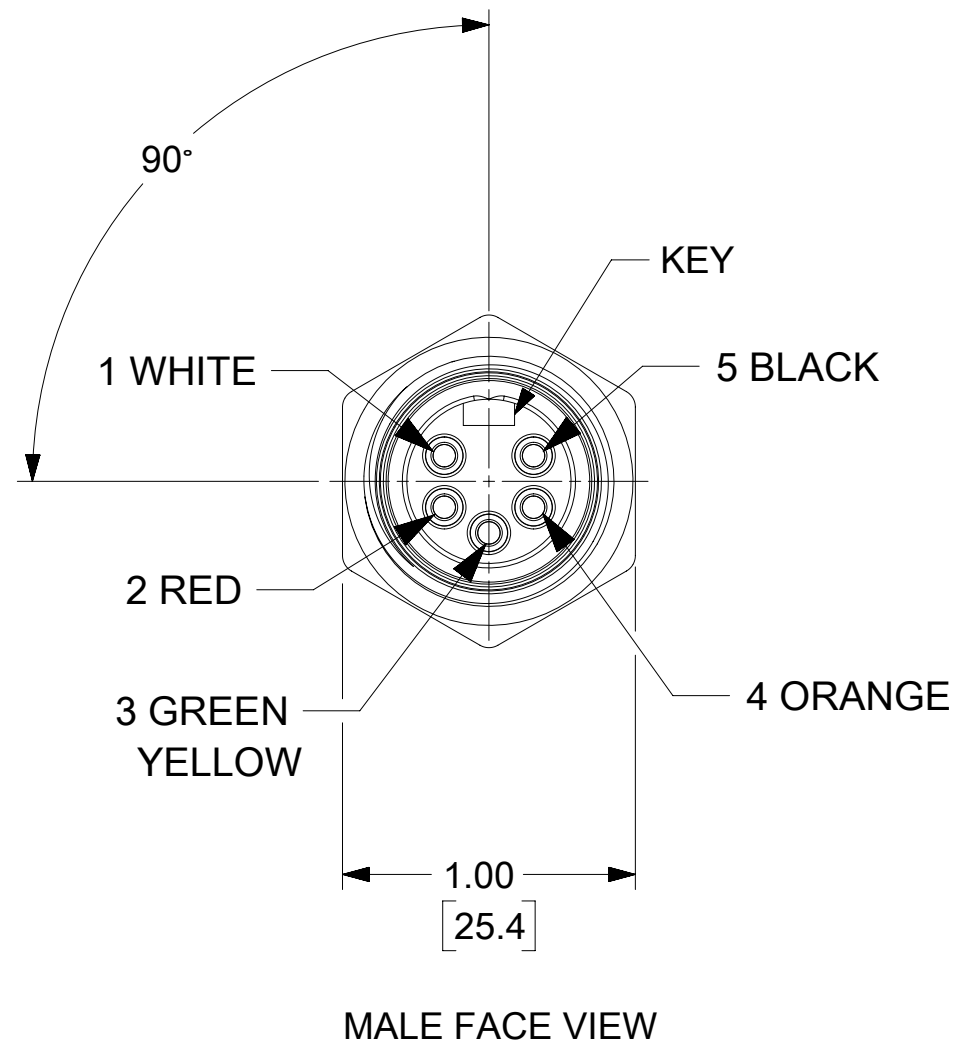
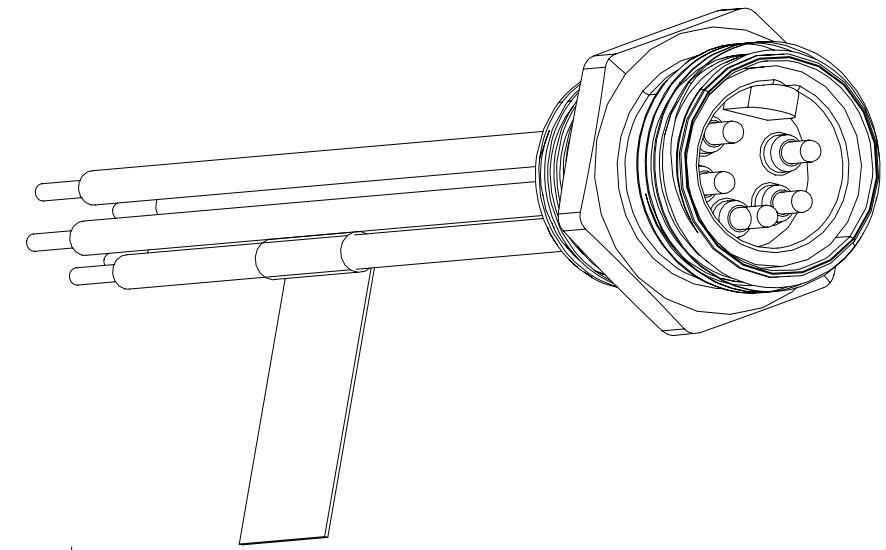


PART NO.	ENGINEERING NO.	FINISHED LENGTH
1300130493	1R5006A20A120	12 IN (0.30M)
1300130500	1R5006A20F030	3 FT (0.90M)
1300131166	1R5006A20M030	3M (9 FT, 10 IN)

CABLE LENGTH TOLERANCES
 <.3M [1FT]: +19mm-0 [+.75in-0]
 .3 - .9M [1 - 3FT]: +44.5mm-0 [+1.75in-0]
 .9 - 1.8M [3 - 6FT]: +55.6mm-0 [+2.19in-0]
 1.8 - 3.7M [6 - 12FT]: +88.9mm-0 [+3.50in-0]
 3.7 - 7.3M [12 - 24FT]: +165.1mm-0 [+6.50in-0]
 7.3-14.6M [24 - 48FT]: +317.5mm-0 [+12.50in-0]
 14.6 - 30.5M [48-100FT]: +622.3mm-0 [+24.50in-0]
 OVER 30M [100FT] +2% OF FINISHED LENGTH



REF. KNOCKOUT HOLE

- NOTES:
 1. MATERIAL: AS NOTED
 2. FINISH: AS NOTED
 3. ELECTRICAL:
 VOLTAGE: 400V PER IEC60664
 600V PER UL2238
 CURRENT: 8A
 4. TEMP RATING: -20°C TO +105°C
 5. PROTECTION: IP67 (WHEN MATED)
 6. COUPLING THREAD: 7/8-16 UN
 7. UL RECOGNIZED FILE: E152210
 CSA CERTIFIED: LR6837
 8. ALL DIMS ARE FOR REFERENCE UNLESS TOLERANCED OR NOTED OTHERWISE

PART NUMBER LEGEND

1R5006A20A120

LENGTH
 A060 = 6 IN
 A120 = 12 IN
 F060 = 6.0 FT
 M003 = 0.3 METERS
 M010 = 1.0 METERS
 M100 = 10.0 METERS

ITEM	DESCRIPTION	MATERIAL	FINISH
6	FLAG LABEL	VINYL	BLACK/YELLOW
5	POTTING MATERIAL	EPOXY	
4	WIRE #16 (UL 1015)	PVC INSULATION	SEE FACE VIEW
3	CONTACT PIN	Cu ALLOY	GOLD PLATED
2	INSERT	TPE	YELLOW
1	RECEPTACLE SHELL	ZINC (DIE-CAST)	BLACK E-COAT

FUNCTIONAL SYMBOLS	THIS DRAWING CONTAINS INFORMATION THAT IS PROPRIETARY TO MOLEX ELECTRONIC TECHNOLOGIES, LLC AND SHOULD NOT BE USED WITHOUT WRITTEN PERMISSION			
	DIMENSION UNITS	SCALE	CURRENT REV DESC: REDRAWN TO NX FOR 5 POLE, REPLACES SD-130013-120	
	INCH/MM	1:1		
DIVISIONAL SYMBOLS	GENERAL TOLERANCES (UNLESS SPECIFIED)			
		MM	INCH	
	4 PLACES	±	±	
		3 PLACES	±	±
		2 PLACES	±	±
		1 PLACE	±	±
		0 PLACES	±	±
		ANGULAR TOL	± °	
DRAFT WHERE APPLICABLE MUST REMAIN WITHIN DIMENSIONS		THIRD ANGLE PROJECTION	DRAWING	SERIES
			C-SIZE	130013
		EC NO: 668276		2021/06/24
		DRWN: RSTONE		2021/07/08
		CHK'D: MZIELINSKI		2021/07/12
		APPR: BWOODMAN		
		INITIAL REVISION:		
		DRWN: RSTONE		2021/06/24
		APPR: BWOODMAN		2021/07/12
DOCUMENT NUMBER		DOC TYPE		DOC PART
1300130493		PSD		000
MATERIAL NUMBER		CUSTOMER		SHEET NUMBER
SEE P/N LEGEND		GENERAL MARKET		1 OF 1