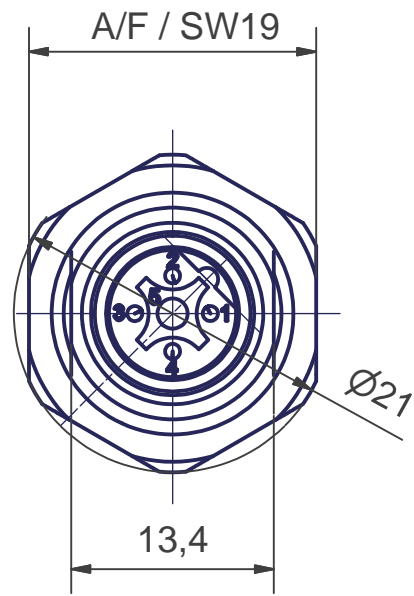
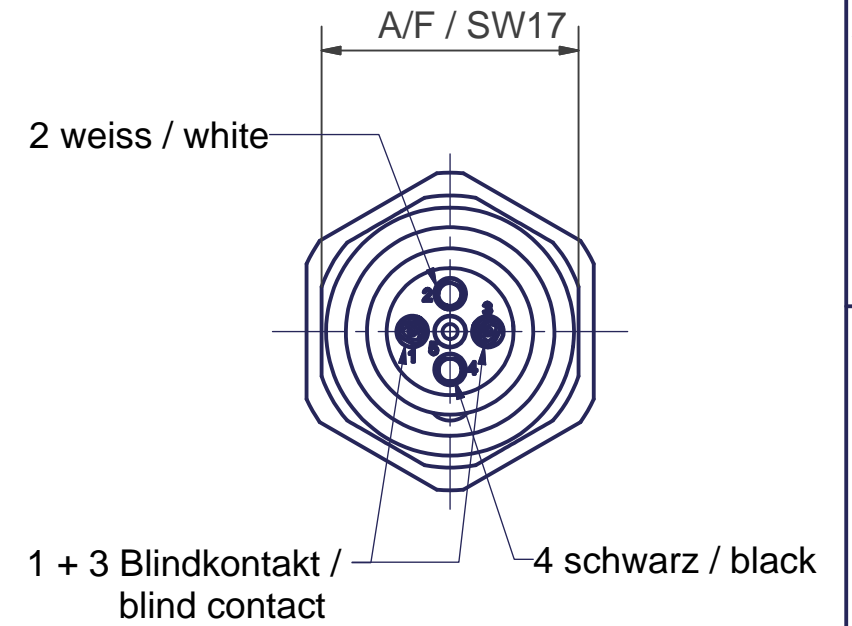
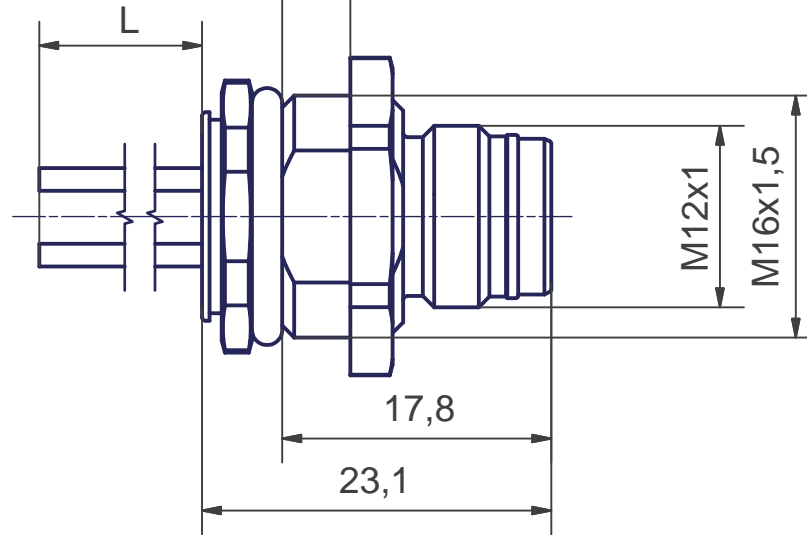


SAP Nr.	L
1200845037	300mm

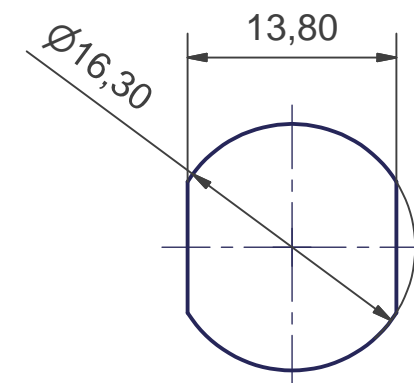


4,5 MAX (Panel Thickness)

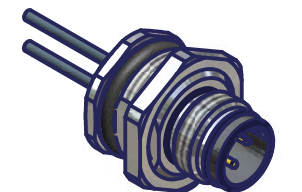


Allgemeine Kennwerte General Characteristics		Norm Standard			
Polzahl	Number of contacts		4		
Kontaktanordnung	Contact configuration	IEC 947-5-2			
Bemessungsspannung	Rated Voltage	IEC 664	250V AC / DC		
Verschmutzungsgrad	Pollution Degree	IEC 664	3		
Betriebsstrom	Current carrying capacity	IEC 512-3 Test 5 b	4A		
Durchgangswiderstand	Contact Resistance	IEC 512-2 Test 2 A	< 5mΩ		
Bemessungsstoßspannung	Rated Impulse Withstand Voltage	IEC 664	2kV		
Prüfspannung	Test Voltage	IEC 60512-2 Test 4 A	1 kV / 60 sec		
Isolationswiderstand	Insulation Resistance	IEC 512-2 Test 3 A	< 10 GΩ		
IP - Schutzart	IP Degree Of Protection	IEC 529	IP 67		
Stift Durchmesser	Pin Diameter		1,0mm		
Werkstoffe	Kontakte	Materials	Kupferlegierung / copper alloy		
	Kontaktfläche		Au/Ni		
	Kontaktträger		PA 6.6		
	Dichtung (O-Ring)		NBR		
Gehäuse	Housing	CuZn (brass) mit Ni-Oberfläche Nickel Plated			
Anschlußart	Termination		Crimp		
Brennbarkeit	Kontaktträger	Flammfähigkeit	Inserts	UL 94	V-0
	Leitung / Kabel		Cable		
Mechanische Lebensdauer	Mechanical Operation		500 Steckzyklen / Mating Cycles		
Temperaturbereich	Temperature Range	IEC 60668-1	-25°C / +90°C		

Ausschnitt / Cutout



(1:1)



This drawing and its contents are the proprietary and confidential property of Woodhead Industries Inc. and/or its subsidiaries and may not be used or disclosed to others without the express prior written consent of Woodhead Industries Inc. and/or its subsidiaries.					
 PROJECTION 1 : GER		UNLESS OTHERWISE SPECIFIED x = ± 1 X.X = ± 0,1 X.XX = ± 0,05 Winkel = 1°	Scale 2:1 (1:1)	Dimensions mm	
			Material Finish	M12U 4-P Rec Male Back Shielded	
				M16x1.5 B-Code 2-Wire	
				SPR 080082	
				SD-120084-003	
				Sheet 1	
				A3	
01 WEU2009-0055 19.08.08 US Rev. Change Date Name		Date Name PROC 19.08.2008 US CHK 19.08.2008 NS Norm. 19.08.2008 NS	Woodhead Connectivity GmbH Gewerbestraße 60 75015 Bretten-Gölshausen Tel.: 07252/9496-0 Fax: 07252/9496-199		Filename SD-120084-003.idw