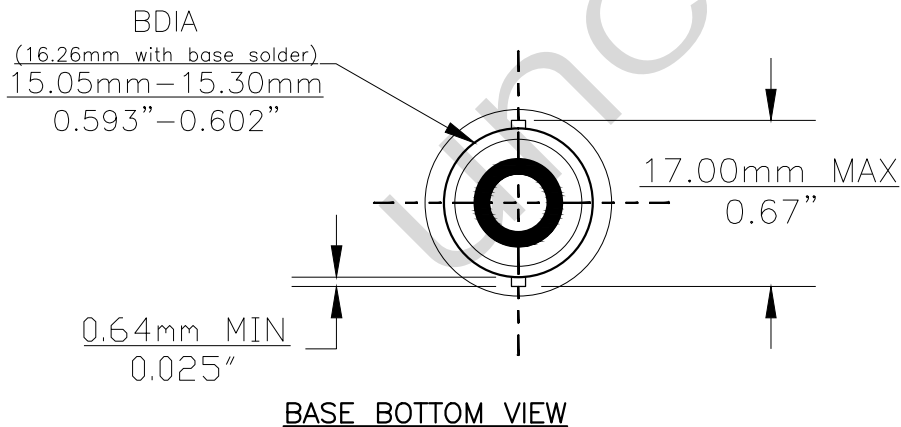
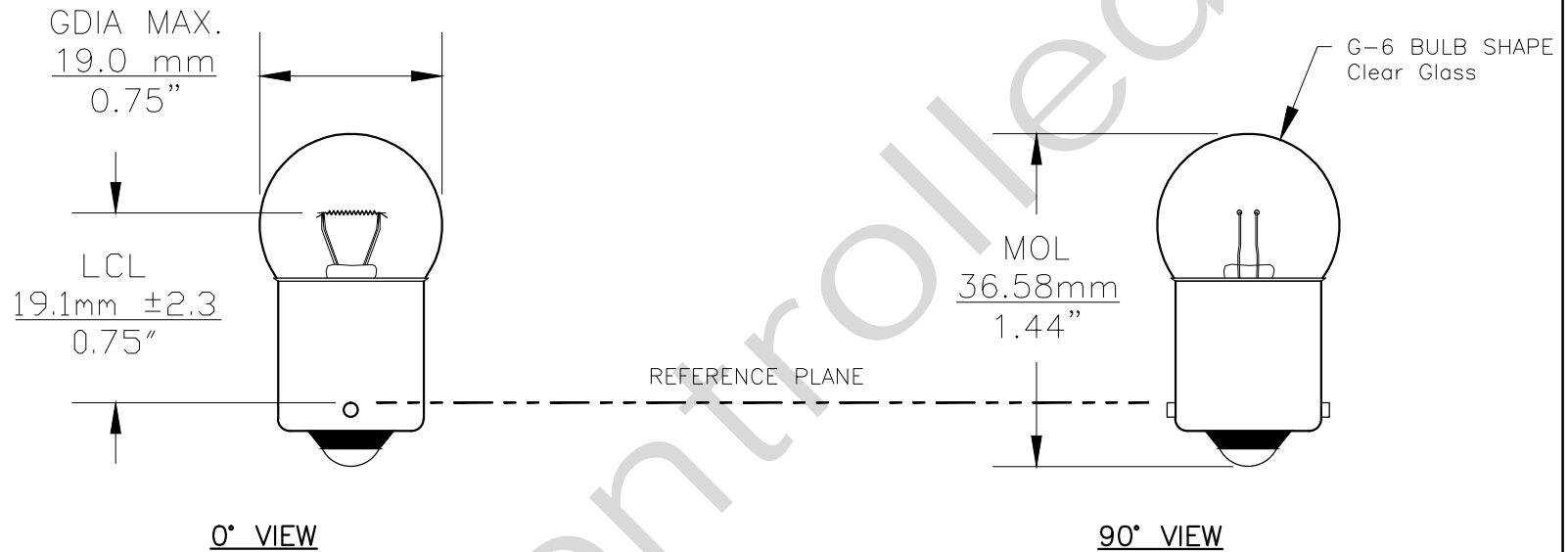




PART NO.	BASE TYPE	DESIGN VOLTS	DESIGN AMPS	MSCD	FILAMENT TYPE	AVERAGE LIFE HOURS
1155	S.C. BAYONET (BA15s)	13.5V	0.59±20%	4 ±20%	2C-6	5000

REVISIONS			
REV #	DESCRIPTION	DATE	APPROVED
1	ISSUED	11/03/2014	R.M.
2	REVISED BASE DIMENSIONS	10/05/2020	R.M.



Note: Made according to SAE specifications

UNLESS OTHERWISE SPECIFIED: DIMENSIONS ARE IN INCHES TOLERANCES		CEC INDUSTRIES LTD	
DECIMALS .XX ± .05	ANGULAR ± 0.5°	599 BOND STREET	LINCOLNSHIRE, IL 60069
.XXX ± .010	FRACTIONAL ± 1/64	TITLE LIGHT BULB NO. 1155	
DRAWN ROSE MEDINA	DATE 11/03/2014	SIZE A	FSCM NO. 1155
CHECKED	DESIGN	DWG NO. 1155	REV 2
MATERIAL	SCALE	PLOT SCALE	SHEET 1 OF 1
FILE 1155.pdf	DRAWING NOT TO SCALE		