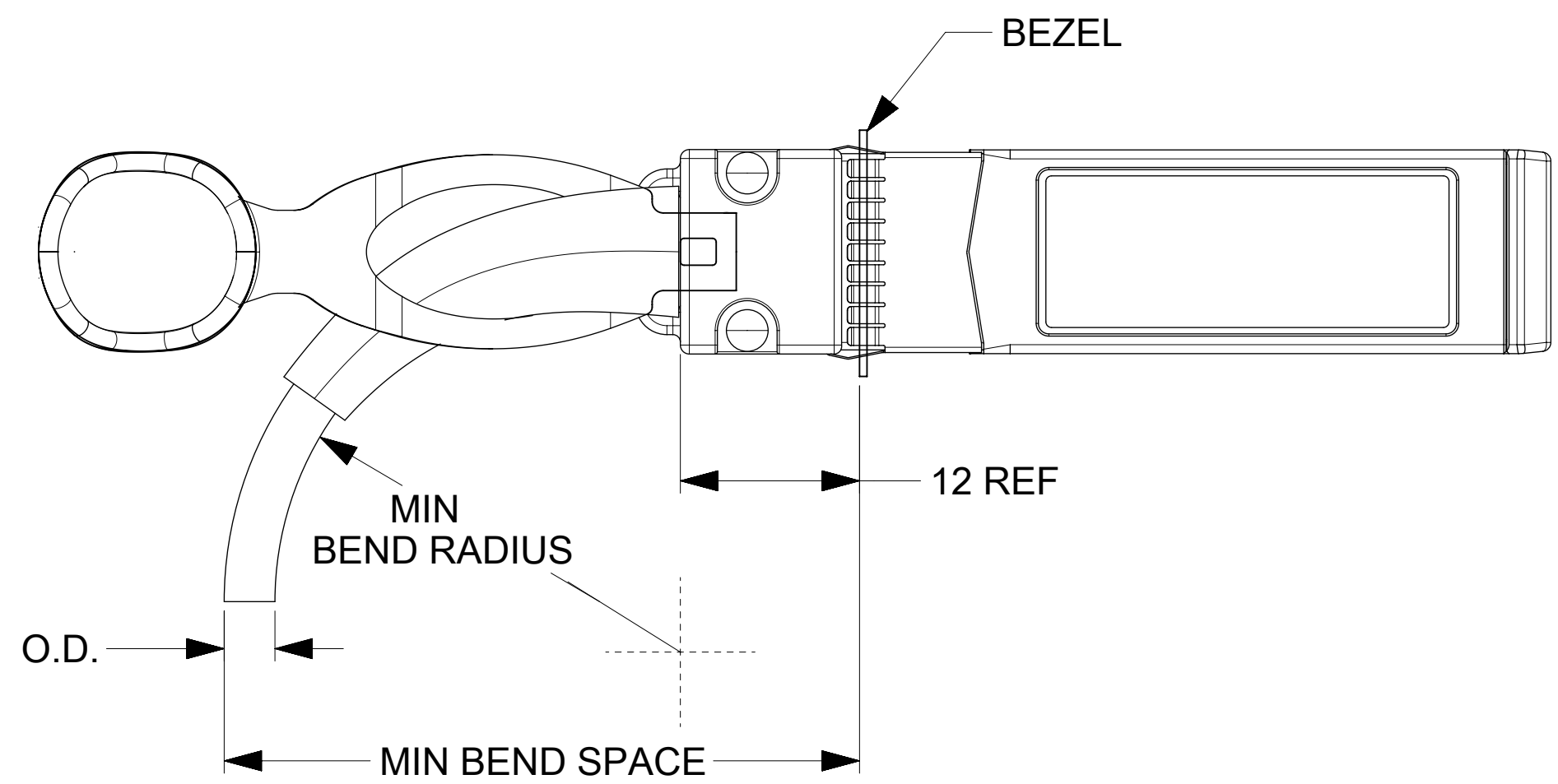


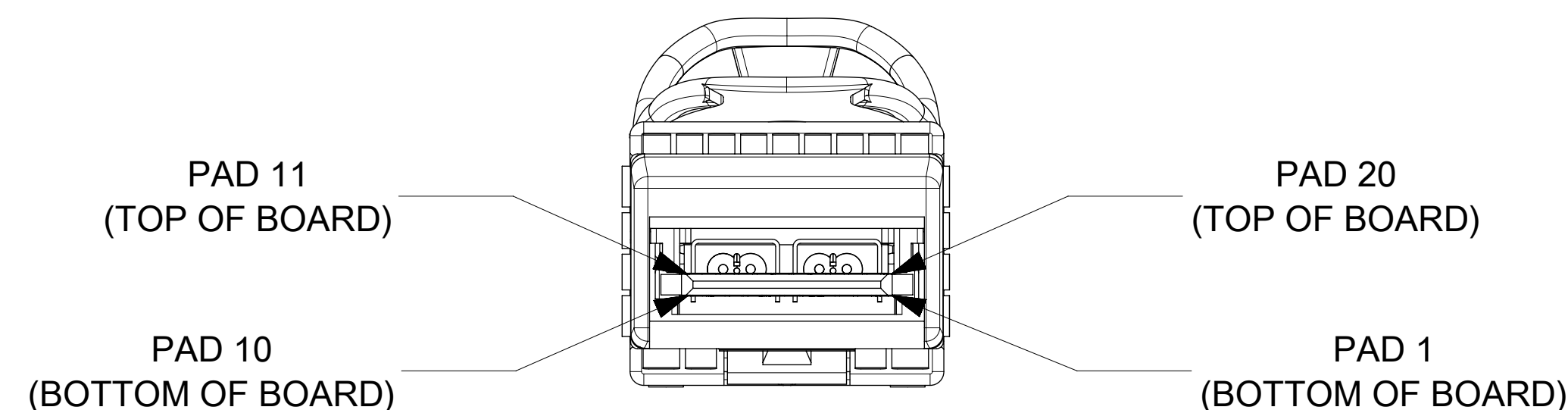
- NOTES:
- MATERIALS
 BACKSHELLS - NICKEL PLATED ZINC
 DE-LATCH - PLASTIC
 PCB - FR4
 RIVETS - STAINLESS STEEL
 - IMPEDANCE - 100 OHMS DIFFERENTIAL, PASSIVE
 - PULL TO RELEASE, PLUNGER STYLE LATCH
 - EACH ASSEMBLY HAS A SERIAL ID
 - RoHS COMPLIANT, NO EXEMPTIONS.

SYMBOLS	THIS DRAWING CONTAINS INFORMATION THAT IS PROPRIETARY TO MOLEX ELECTRONIC TECHNOLOGIES, LLC AND SHOULD NOT BE USED WITHOUT WRITTEN PERMISSION									
	DIMENSION UNITS		SCALE		CURRENT REV DESC: ADDED 3.5M & 4.5M PN					
	mm									
	= 0		GENERAL TOLERANCES (UNLESS SPECIFIED)		EC NO: 604745				ZSFP+ TO ZSFP+ 28G PASSIVE CABLE ASSEMBLY	
= 0		ANGULAR TOL ± 2.0°		DRWN: SKAMATHN 2018/09/19				PRODUCT CUSTOMER DRAWING		
= 0		4 PLACES ±		CHK'D: SJKG 2018/10/03				DOCUMENT NUMBER		
= 0		3 PLACES ±		APPR: KNAGANNA 2018/10/03				DOC TYPE		
= 0		2 PLACES ± 0.13		INITIAL REVISION:				DOC PART		
= 0		1 PLACE ± 0.25		DRWN: DRAMIREZ02 2016/10/21				REVISION		
= 0		0 PLACES ±		APPR: ARAYBURN 2016/10/25				1111450001		
= 0		DRAFT WHERE APPLICABLE MUST REMAIN WITHIN DIMENSIONS		THIRD ANGLE PROJECTION		DRAWING		MATERIAL NUMBER		
= 0				D-SIZE		SERIES		CUSTOMER		
				111145		111145		GENERAL MARKET		
								SEE P/N TABLE		
								1 OF 3		

DOCUMENT STATUS	P1	RELEASE DATE	2018/10/03	12:07:57
-----------------	----	--------------	------------	----------

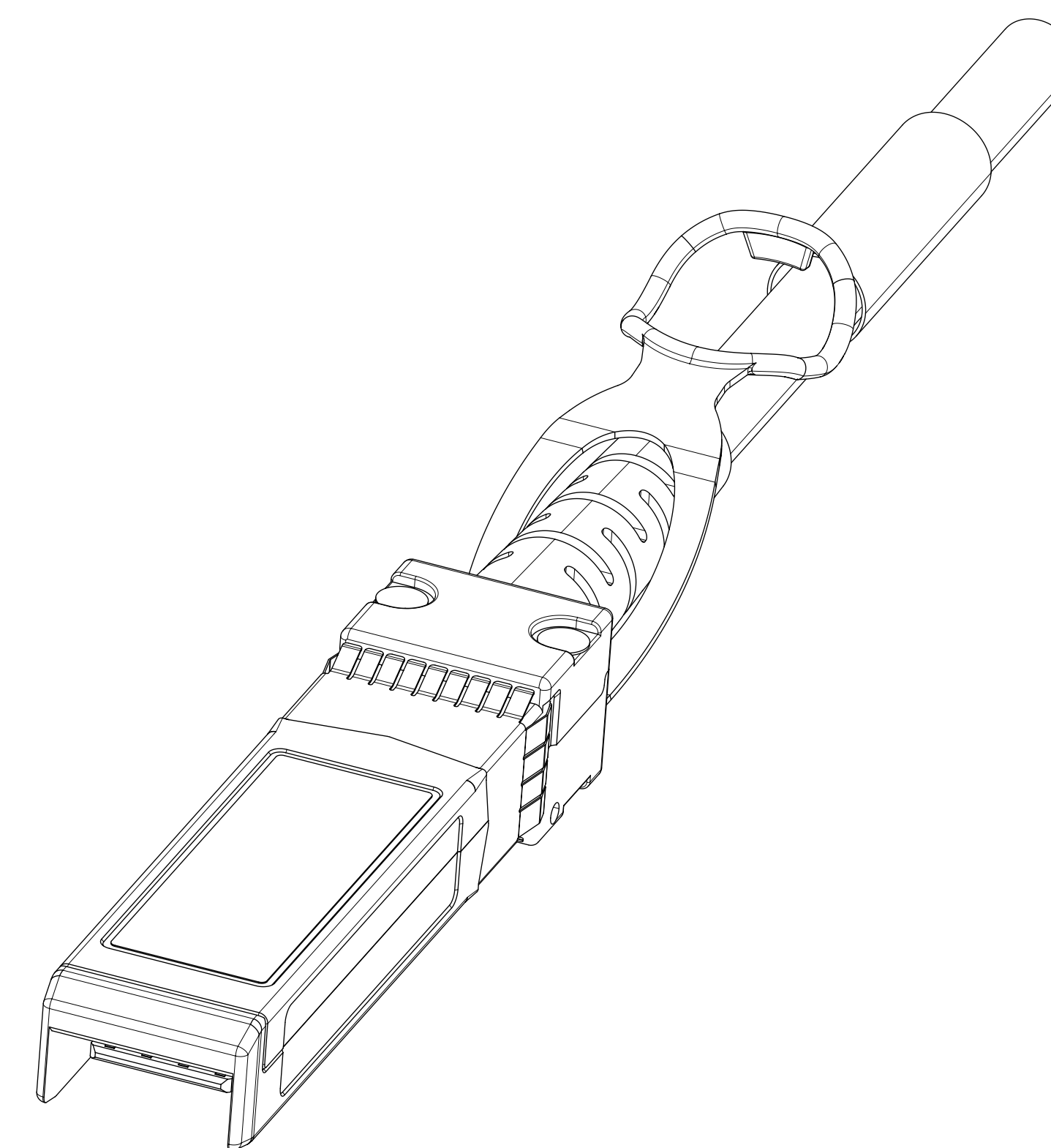


CABLE AWG	O.D.	MIN BEND RADIUS (mm)	MIN BEND SPACE (mm)
30	4.52	23	40
26	5.8	29	47



WIRING DIAGRAM					
P1 END			P2 END		
PAD	SIGNAL		PAD	SIGNAL	
12	RD-	<----	19	TD-	
13	RD+	<----	18	TD+	
18	TD+	---->	13	RD+	
19	TD-	---->	12	RD-	
02	Tx_Fault	NC	NC	02	Tx_Fault
03	Tx_Disable	NC	NC	03	Tx_Disable
04	SDA	□	□	04	SDA
05	SCL	□	□	05	SCL
06	Mod_ABS	NC	NC	06	Mod_ABS
07	RS0	NC	NC	07	RS0
08	Rx_LOS	NC	NC	08	Rx_LOS
09	RS1	NC	NC	09	RS1
15	VccR	NC	NC	15	VccR
16	VccT	NC	NC	16	VccT

LEGEND:
 ----> = THRU LINES
 NC = NOT CONNECTED
 □ = CONNECTION TO A DEVICE ON THE PCB



SYMBOLS	THIS DRAWING CONTAINS INFORMATION THAT IS PROPRIETARY TO MOLEX ELECTRONIC TECHNOLOGIES, LLC AND SHOULD NOT BE USED WITHOUT WRITTEN PERMISSION		CURRENT REV DESC: ADDED 3.5M & 4.5M PN		
	▽ = 0	DIMENSION UNITS: mm	SCALE		
▽ = 0	GENERAL TOLERANCES (UNLESS SPECIFIED)		EC NO: 604745	2018/09/19	ZSFP+ TO ZSFP+ 28G PASSIVE CABLE ASSEMBLY PRODUCT CUSTOMER DRAWING
▽ = 0	ANGULAR TOL	± 2.0°	DRWN: SKAMATHN	2018/10/03	
▽ = 0	4 PLACES	±	CHK'D: SJKG	2018/10/03	DOCUMENT NUMBER: 1111450001 DOC TYPE: PSD DOC PART: 000 REVISION: H
▽ = 0	3 PLACES	±	APPR: KNAGANNA	2018/10/03	
▽ = 0	2 PLACES	± 0.13	INITIAL REVISION:		MATERIAL NUMBER: SEE P/N TABLE CUSTOMER: GENERAL MARKET SHEET NUMBER: 2 OF 3
▽ = 0	1 PLACE	± 0.25	DRWN: DRAMIREZ02	2016/10/21	
▽ = 0	0 PLACES	±	APPR: ARAYBURN	2016/10/25	
■ = 0	DRAFT WHERE APPLICABLE	THIRD ANGLE PROJECTION	DRAWING	SERIES	
▽ = 0	MUST REMAIN WITHIN DIMENSIONS		D-SIZE	111145	

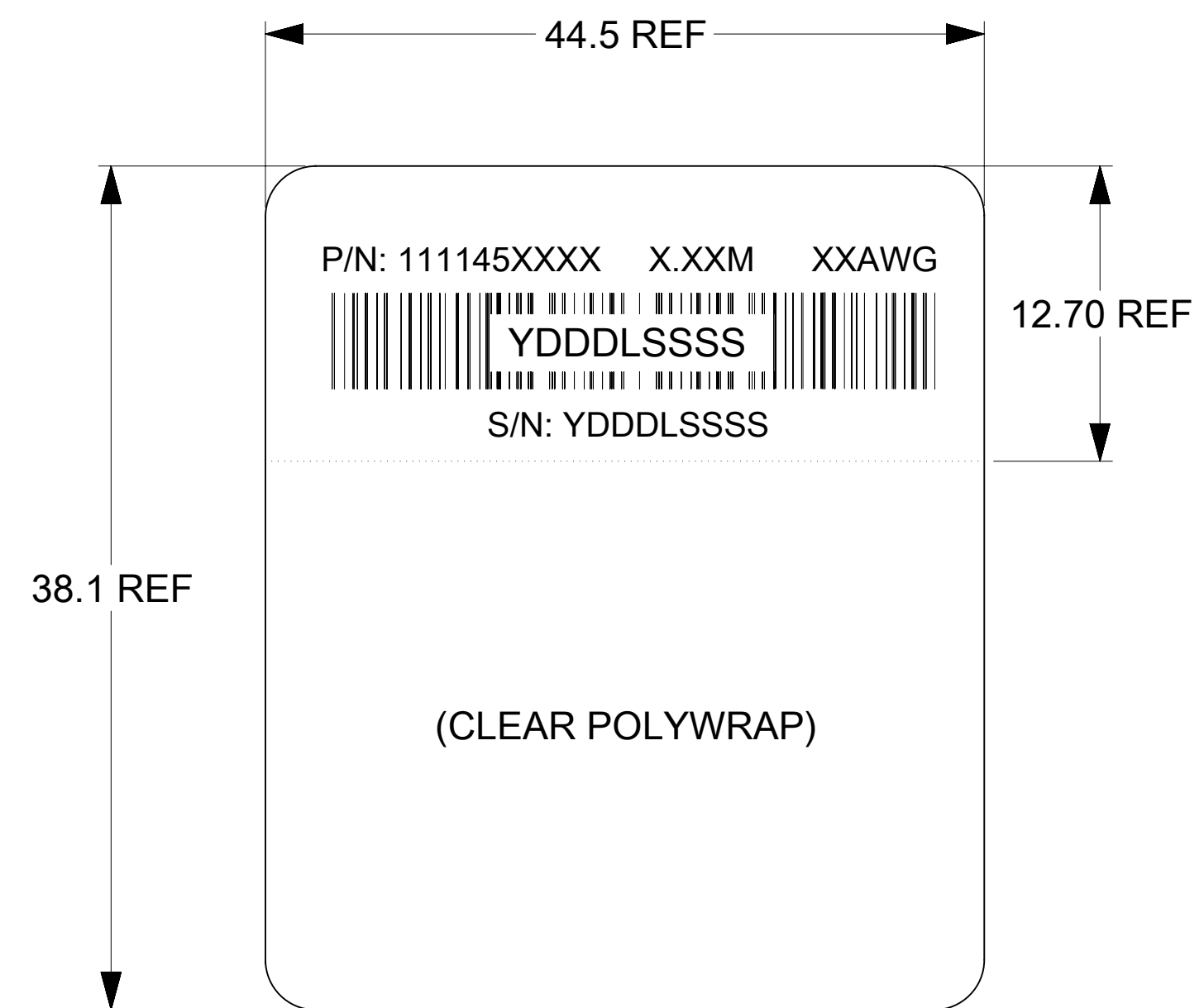
PART NUMBER TABLE

PART NUMBER	LENGTH	TOL.	AWG
1111451021*	0.25M	±0.03M	30
1111451031*	0.3M	±0.03M	30
1111451051	0.5M	±0.05M	30
1111451081	0.8M	±0.05M	30
1111451082	0.85M	+0.05 M -0.02 M	30
1111451101	1.0M	±0.05M	30
1111451151	1.5M	±0.05M	30
1111451201	2.0M	±0.05M	30
1111451251	2.5M	±0.05M	30
1111451301	3.0M	±0.05M	30
1111451401	4.0M	±0.05M	30
1111453201	2.0M	±0.05M	26
1111453301	3.0M	±0.05M	26
1111453351	3.5M	±0.05M	26
1111453401	4.0M	±0.05M	26
1111453451	4.5M	±0.05M	26
1111453501	5.0M	±0.08M	26

NOTES:
CUSTOM CABLE LENGTH AND GAUGE AVAILABLE UPON REQUEST

*CABLE LENGTHS 1M OR LESS THAN 1M DO NOT MEET IEEE 802.3by RETURN LOSS LIMITS
30 AWG CABLES LONGER THAN 3m, CABLES FAIL 802.3by SPEC FOR MAXIMUM INSERTION LOSS AND COM

CABLE ID LABEL



P/N: 111145XXXX - MOLEX PART NUMBER (SEE P/N TABLE)

X.XXM - CABLE LENGTH IN METERS (EXAMPLES - 0.5M, 1.0M, 1.5M, SEE P/N TABLE)

XXAWG - CABLE SIZE IN AWG (SEE P/N TABLE)

S/N: YDDLSSSS - SERIAL NUMBER
 Y = YEAR, THE LAST DIGIT OF YEAR
 DDD = DAY OF THE YEAR
 L = LOCATION
 1 - USA
 2 - MEXICO
 3 - CHINA
 4 - PHILIPPINES
 SSSS = SERIAL NUMBER (0001-9999)

SYMBOLS	THIS DRAWING CONTAINS INFORMATION THAT IS PROPRIETARY TO MOLEX ELECTRONIC TECHNOLOGIES, LLC AND SHOULD NOT BE USED WITHOUT WRITTEN PERMISSION		CURRENT REV DESC: ADDED 3.5M & 4.5M PN		molex			
▽ = 0	DIMENSION UNITS	SCALE	EC NO: 604745 DRWN: SKAMATHN 2018/09/19 CHK'D: SJKG 2018/10/03 APPR: KNAGANNA 2018/10/03 INITIAL REVISION: DRWN: DRAMIREZ02 2016/10/21 APPR: ARAYBURN 2016/10/25		ZSFP+ TO ZSFP+ 28G PASSIVE CABLE ASSEMBLY			
▽ = 0	mm	PRODUCT CUSTOMER DRAWING						
▽ = 0	GENERAL TOLERANCES (UNLESS SPECIFIED)				DOCUMENT NUMBER	DOC TYPE	DOC PART	REVISION
▽ = 0	ANGULAR TOL ± 2.0°				1111450001	PSD	000	H
▽ = 0	4 PLACES ±				SEE P/N TABLE			
▽ = 0	3 PLACES ±		MATERIAL NUMBER		CUSTOMER			
▽ = 0	2 PLACES ± 0.13		111145		GENERAL MARKET			
▽ = 0	1 PLACE ± 0.25		SERIES		SHEET NUMBER			
▽ = 0	0 PLACES ±		DRAFT WHERE APPLICABLE MUST REMAIN WITHIN DIMENSIONS		3 OF 3			
▽ = 0	THIRD ANGLE PROJECTION		DRAWING		D-SIZE			