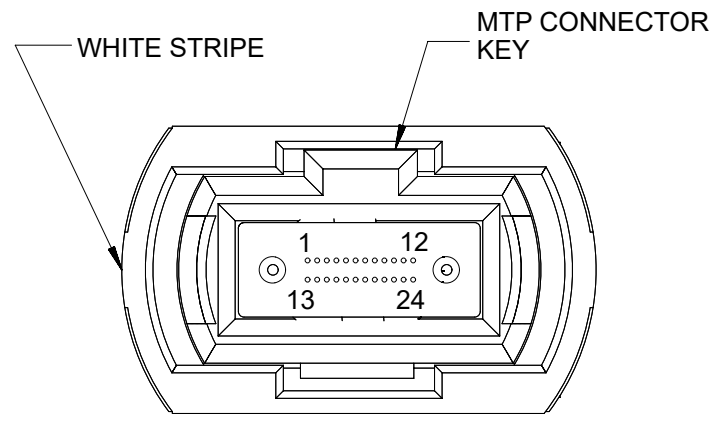
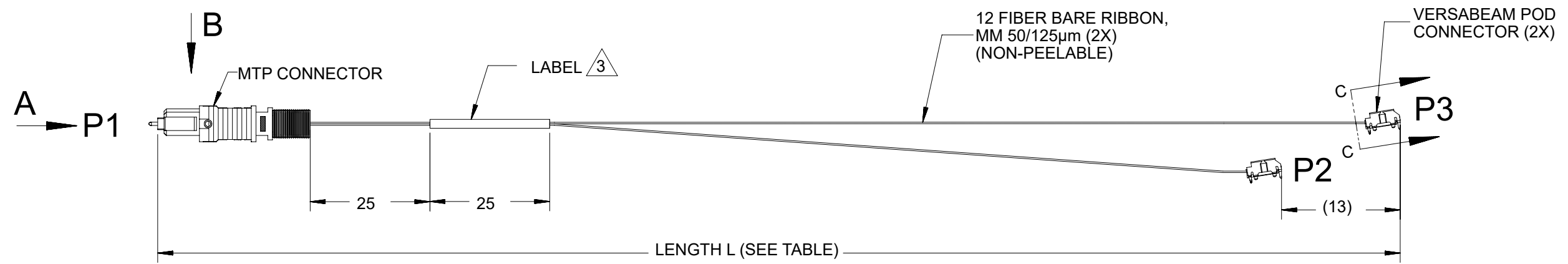
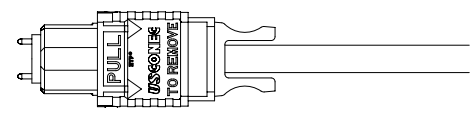


JUMPER P/N	LENGTH L [m]	MTP CONN. TYPE
106267-2021	0.5 +0.1/-0	FEMALE
106267-2022	1.0 +0.2/-0	
106267-2030	0.15 +0.025/-0	MALE
106267-2031	0.5 +0.1/-0	

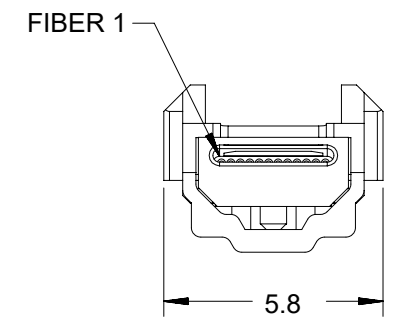
CONNECTIONS	
P1-1 THRU P1-12	P3-1 THRU P3-12
P1-13 THRU P1-24	P2-1 THRU P2-12



VIEW A
SCALE 5:1



VIEW B



SECTION C-C (TYP.)
SCALE 5:1

NOTES:

1. END CAPS ARE NOT SHOWN BUT INCLUDED.
2. MTP MALE CONNECTOR IS SHOWN. FEMALE CONNECTOR DOES NOT CONTAIN PINS.
3. INSERTION LOSS @ 850nm TO AN INTERPOSER: 2.0 dB. THROUGHPUT LOSS (MTP+VERSABEAM POD): 1.2dB. TEST DATA IS SENT WITH JUMPER.
4. LABEL IS PRINTED WITH MOLEX NAME, PART NUMBER AND SERIAL NUMBER.

THIS DRAWING CONTAINS INFORMATION THAT IS PROPRIETARY TO MOLEX ELECTRONIC TECHNOLOGIES, LLC AND SHOULD NOT BE USED WITHOUT WRITTEN PERMISSION											
DIMENSION UNITS mm		SCALE 1:1		CURRENT REV DESC: OBSOLETE PART NUMBERS AS PER PCN#506884				molex		MTP24 TO 2X VERSABEAM POD JUMPER, MM 50/125UM	
GENERAL TOLERANCES (UNLESS SPECIFIED)				EC NO: 662763							
4 PLACES ±				DRWN: SKANDB 2021/01/27				PRODUCT CUSTOMER DRAWING		DOCUMENT NUMBER SD-106267-2021	
3 PLACES ±				CHK'D: GGA 2021/06/01							
2 PLACES ±				APPR: GGA 2021/06/01				DOCTYPE		DOC PART	
1 PLACE ±				INITIAL REVISION:				REVISION			
0 PLACES ±				DRWN: EEFUNG 2010/08/09				PSD		001	
ANGULAR TOL ± 0.5°				APPR: 2014/02/17				F			
DRAFT WHERE APPLICABLE MUST REMAIN WITHIN DIMENSIONS		THIRD ANGLE PROJECTION		DRAWING B-SIZE		SERIES 106267		MATERIAL NUMBER SEE TABLE		CUSTOMER GENERAL MARKET	
								SHEET NUMBER 1 OF 1			

DOCUMENT STATUS	P1	RELEASE DATE	2021/06/01	13:36:36
-----------------	----	--------------	------------	----------