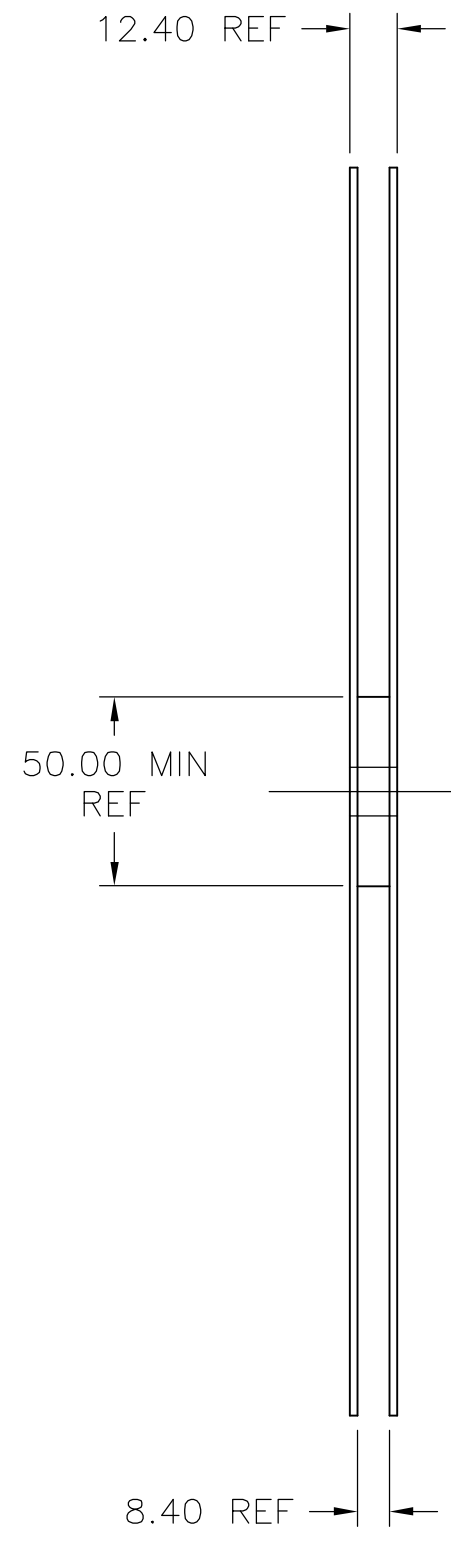


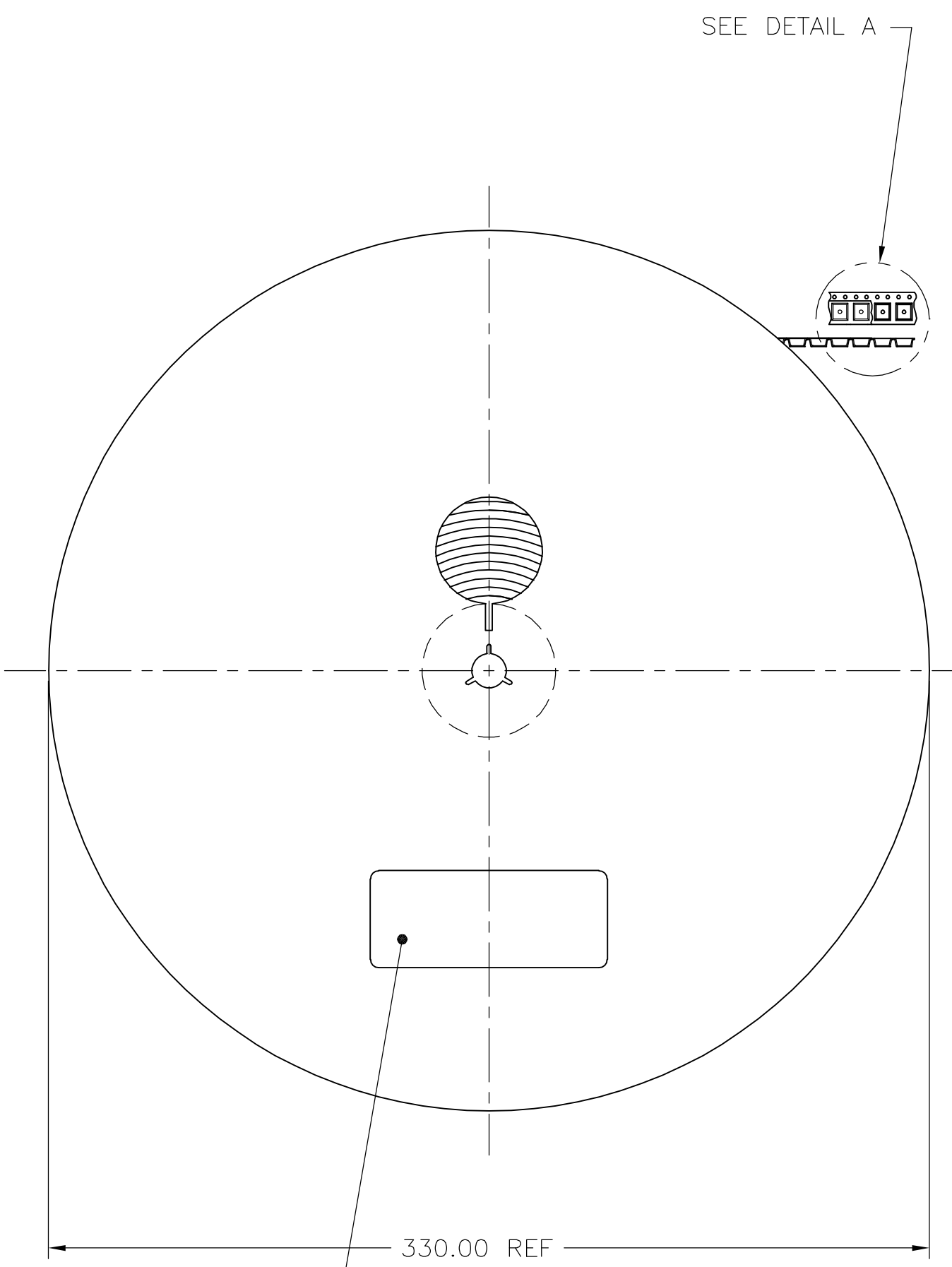
THIS DRAWING IS UNPUBLISHED. RELEASED FOR PUBLICATION  
 © COPYRIGHT BY TYCO ELECTRONICS CORPORATION. ALL RIGHTS RESERVED.

Loc		DIST		REVISIONS			
P	LTR	DESCRIPTION		DATE	DWN	APVD	
AJ	17	C		REVISED PER EC OS14-0016-05	27JAN05	BM	KW

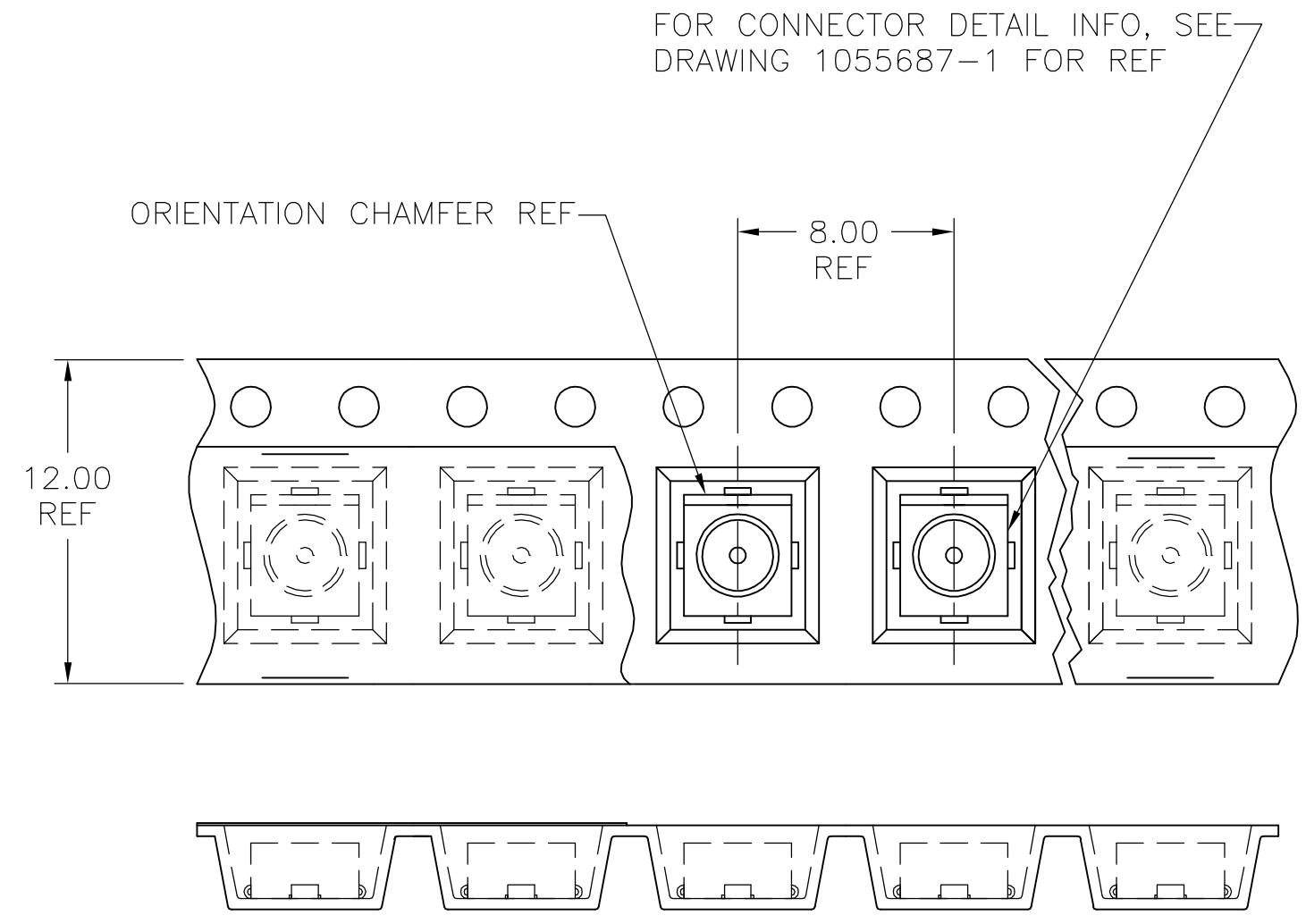
1. TAPE, REEL, AND TAPING SHALL MEET THE REQUIREMENTS OF EIA-481-1.
  2. EMBOSSED TAPE SHALL BE CONDUCTIVE TYPE.
  3. FOR PART ORIENTATION IN TAPE SEE DETAIL A.
  4. REEL SHALL CONTAIN 3000 PIECES.
- 5 REEL IDENTIFICATION LABEL SHALL BE PRINTED WITH REEL P/N, MANUFACTURER, QTY, AND TAPING DATE AS A MINIMUM.



TAPE NOT SHOWN IN THIS VIEW FOR CLARITY.



5 REEL IDENTIFICATION LABEL REF

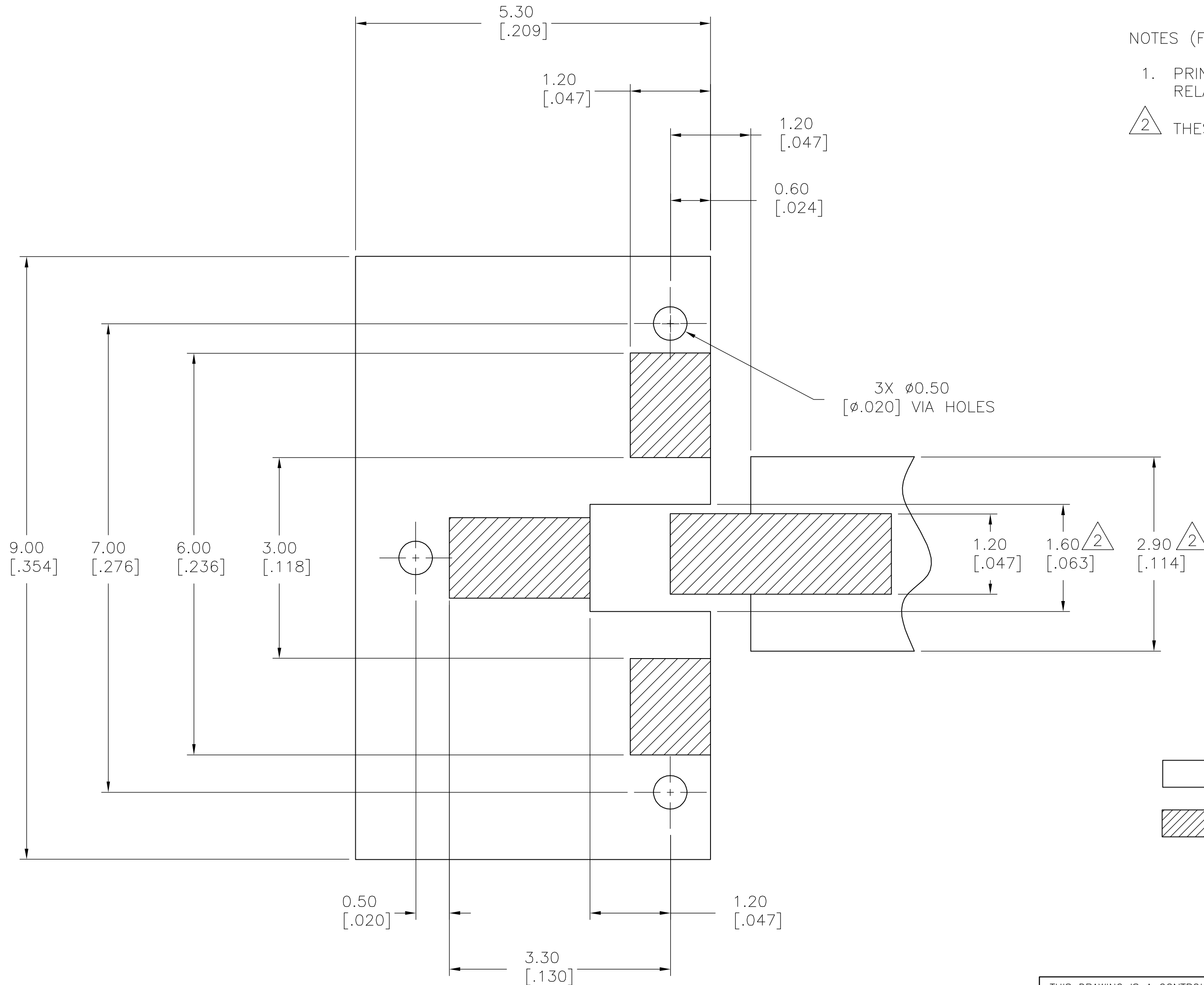


1055689-1  
PART NUMBER

THIS DRAWING IS A CONTROLLED DOCUMENT.		DWN P. RESNICK	12MAY92	<b>tyco</b> Electronics		Tyco Electronics Corporation Harrisburg, Pa 17105-3608	
DIMENSIONS: mm [INCHES]		CHK	APVD	NAME TAPE AND REEL PACKAGING, SSMT PLUG, 330mm REEL (3000 PARTS PER REEL)			
TOLERANCES UNLESS OTHERWISE SPECIFIED:		PRODUCT SPEC		SIZE		CAGE CODE	DRAWING NO
0 PLC ± -		-		A2		00779	C=1055689
1 PLC ± -		-		WEIGHT		RESTRICTED TO	
2 PLC ± -		-		-		-	
3 PLC ± -		-		CUSTOMER DRAWING		SCALE 1/2:1 SHEET 1 OF 2 REV C	
4 PLC ± -		-		-		-	
ANGLES ± -		-		-		-	
FINISH		-		-		-	

THIS DRAWING IS UNPUBLISHED. RELEASED FOR PUBLICATION  
 © COPYRIGHT BY TYCO ELECTRONICS CORPORATION. ALL RIGHTS RESERVED.

LOC	DIST	REVISIONS			
P	LTR	DESCRIPTION	DATE	DWN	APVD
AJ	17	SEE SHEET 1	-	-	-



NOTES (FOR PCB LAYOUT ONLY):

- PRINTED WIRING BOARD MATERIAL: GLASS EPOXY. FR-4 OR SIMILAR, RELATIVE PERMITTIVITY: 4.8oz. COPPER CLAD BOTH SIDES.
- △ THESE DIMENSIONS VALID FOR 1.60[.062] BOARD THICKNESS.

□ 1 oz.[.0014] COPPER  
 ▨ AREA FREE OF SOLDER MASK

RECOMMENDED MOUNTING PATTERN FOR MICROSTRIP LINE

THIS DRAWING IS A CONTROLLED DOCUMENT.		DWN P. RESNICK	12MAY92	<b>tyco</b> Tyco Electronics Corporation	
DIMENSIONS: mm[INCHES]		CHK	APVD	Harrisburg, Pa 17105-3608	
TOLERANCES UNLESS OTHERWISE SPECIFIED:		PRODUCT SPEC		NAME TAPE AND REEL PACKAGING, SSMT PLUG, 330mm REEL (3000 PARTS PER REEL)	
0 PLC ± -		APPLICATION SPEC		SIZE	RESTRICTED TO
1 PLC ± -		WEIGHT		CAGE CODE	A2 00779 C=1055689
2 PLC ± -		CUSTOMER DRAWING		DRAWING NO	
3 PLC ± -		SCALE		SHEET	OF
4 PLC ± -		20:1		2	2
ANGLES ± -		REV		C	
FINISH		SCALE		REV	
-		20:1		C	