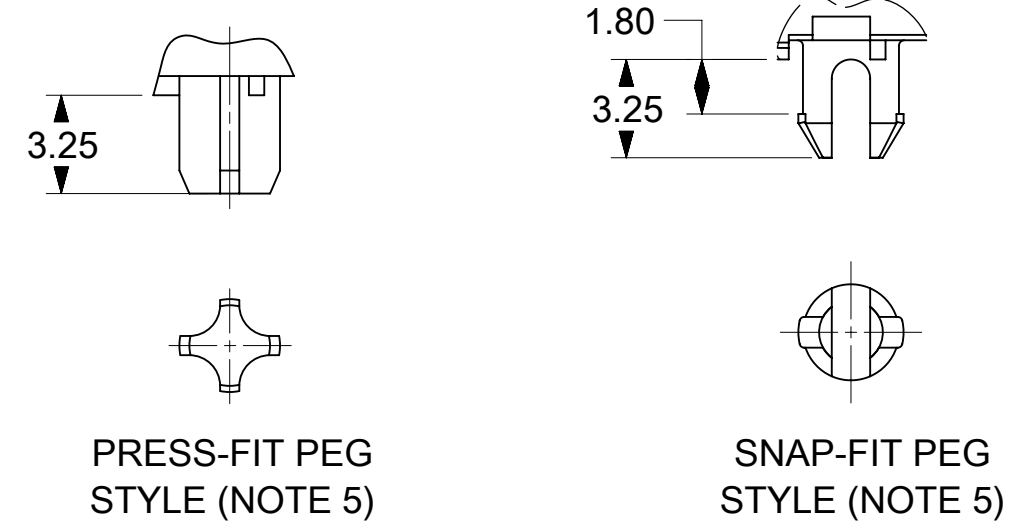
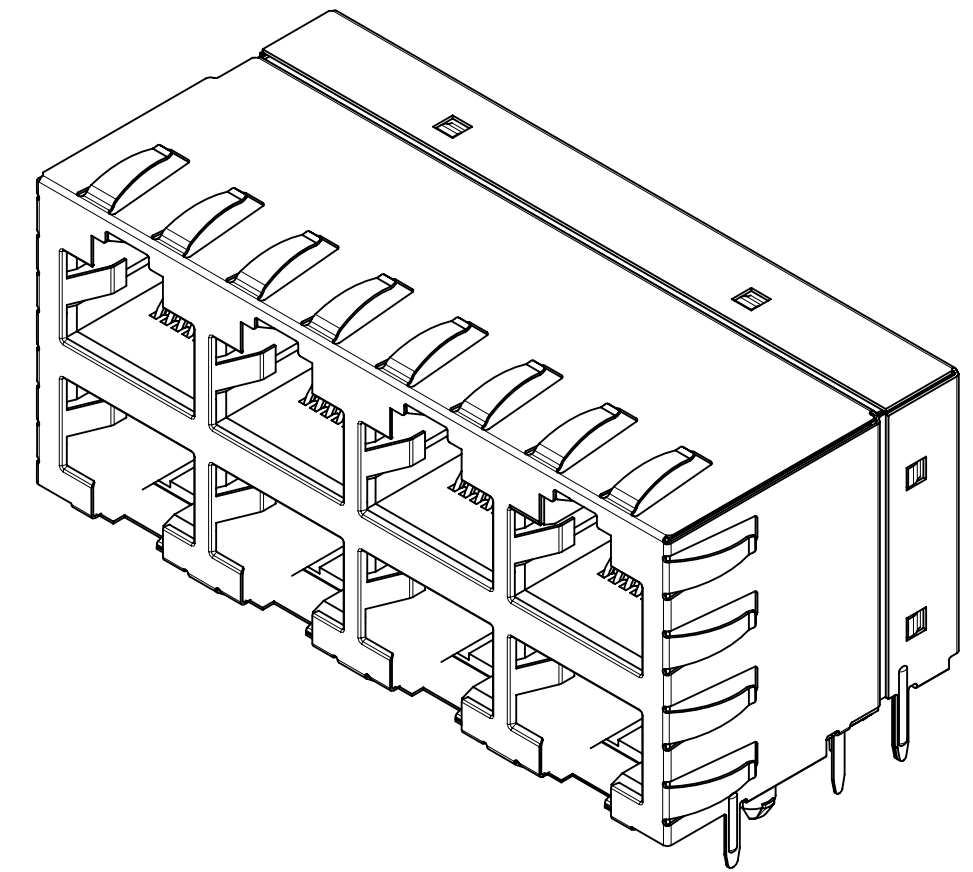
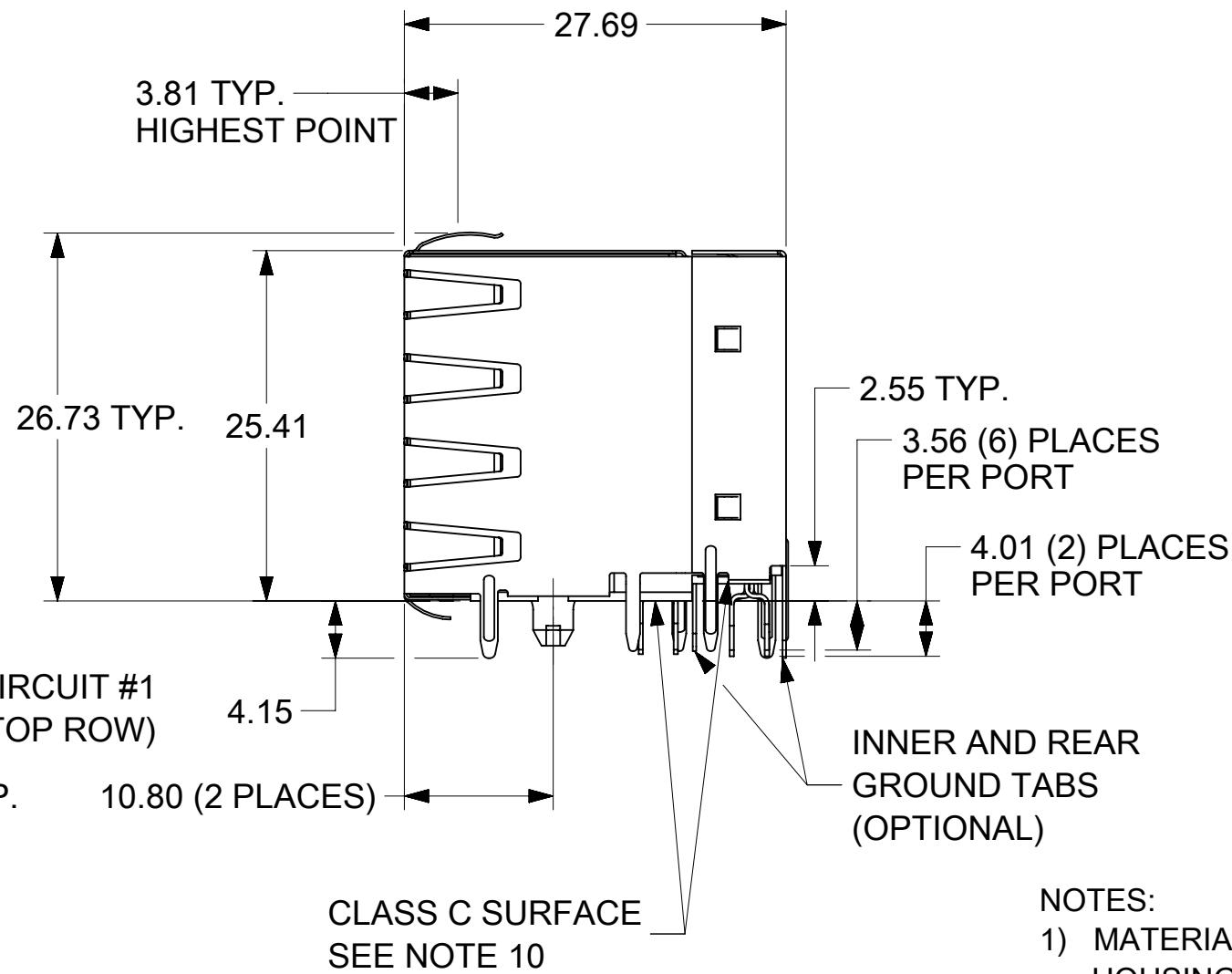
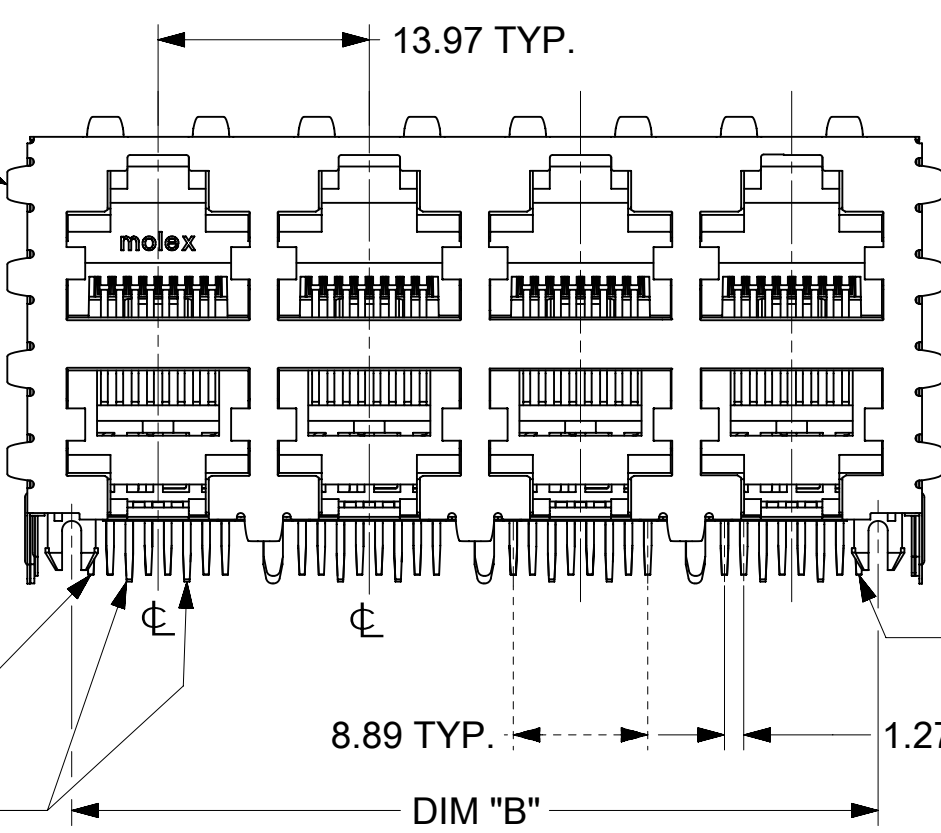


OPTIONAL
SIDE PANEL
GROUND TABS
TYP (8)
SEE NOTE 8

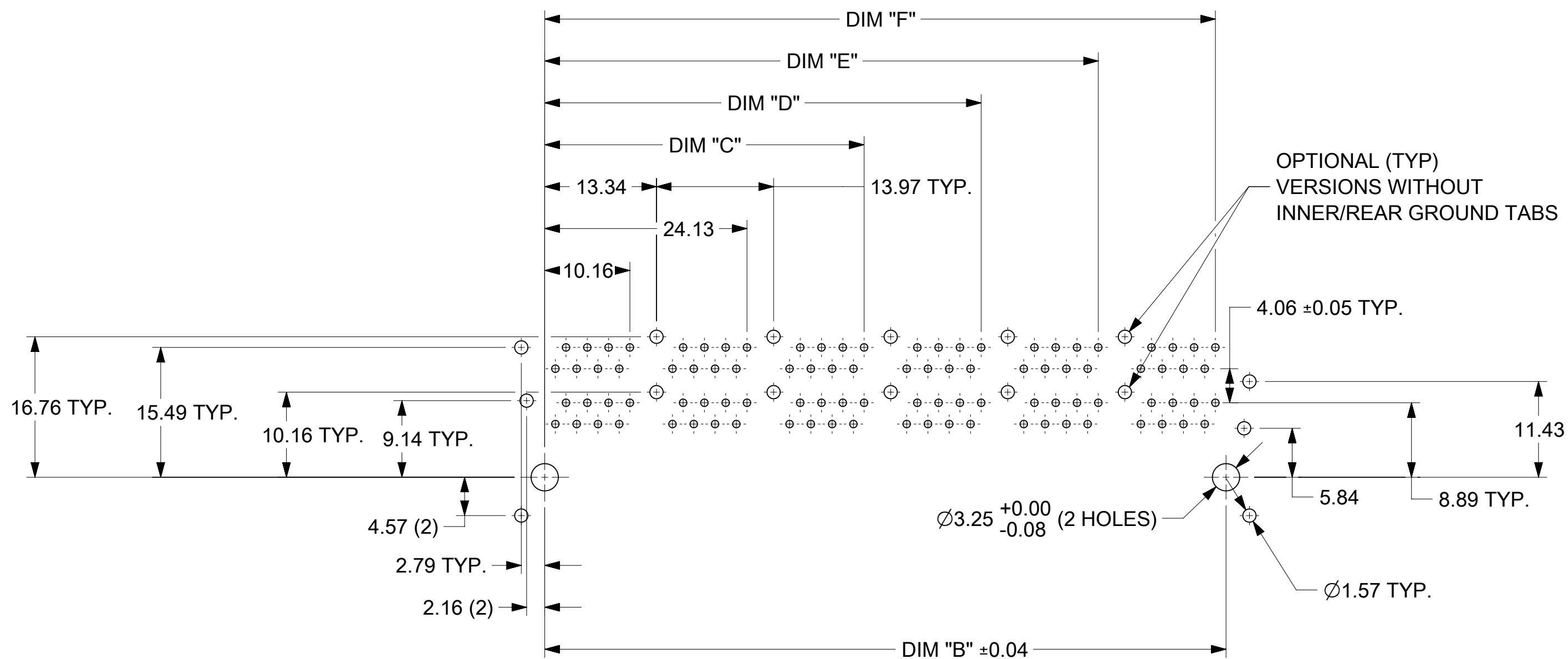


- NOTES:
- MATERIAL:
HOUSING: POLYESTER(PBT), GLASS FILLED, UL94V-0, COLOR: BLACK
TERMINALS: PHOSPHOR BRONZE
SHIELD: BRASS
 - FINISH:
TERMINALS:
SELECT GOLD IN CONTACT AREA: 1.27 MICROMETERS MIN.,
SELECT TIN IN PC TAIL AREA: 2.54 MICROMETERS MIN.,
WITH OVERALL NICKEL UNDERPLATE: 1.27 MICROMETERS MIN.
SHIELD:
2.54 MICROMETERS NICKEL OVER 1.27 MICROMETERS COPPER UNDERPLATE
PCB GROUND TABS DIPPED IN TIN
 - PRODUCT SPECIFICATION: PS-44050-003.
 - PACKAGING SPECIFICATION: CONNECTOR PACKAGED IN THERMOFORMED TRAYS PER PK-44520-003.
 - CONNECTORS AVAILABLE WITH EITHER SNAP-FIT OR PRESS-FIT PEGS.
 - CONFORMS TO FCC REGULATION PART 68.5 FOR MODULAR JACKS.
 - PCB LAYOUT AND PANEL CUT-OUT SHOWN ON SHEET (2) OF (2).
 - AVAILABLE WITH THE (8) PANEL GROUND TABS REMOVED ON EACH SIDE FOR SIDE TO SIDE STACKABILITY.
 - TERMINAL LENGTHS MAY BE DIFFERENT FROM TERMINAL TO TERMINAL.
 - THIS PART CONFORMS TO CLASS B REQUIREMENTS OF COSMETIC SPECIFICATION PS-45499-002 WITH THE EXCEPTION OF THE INDICATED SURFACE WHICH IS A CLASS C SURFACE.

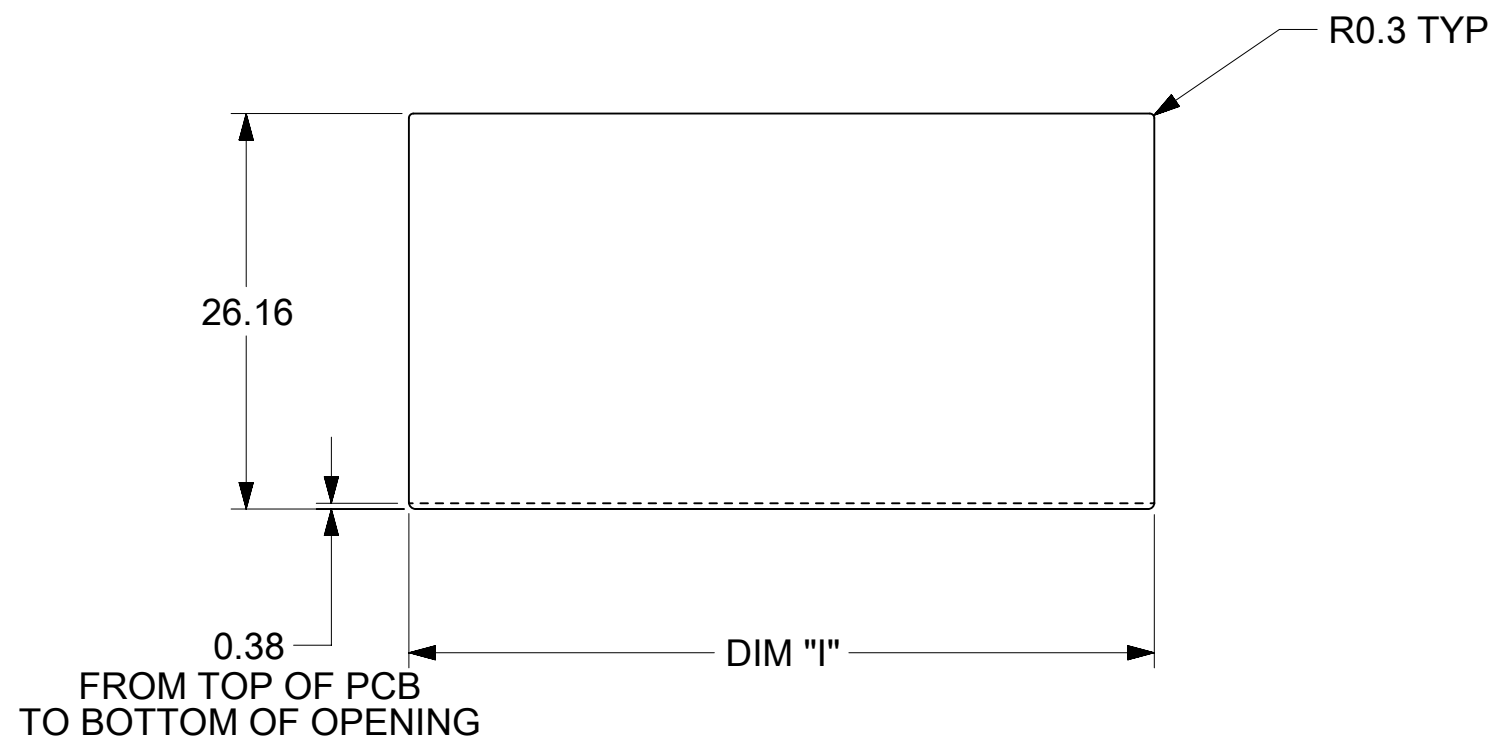
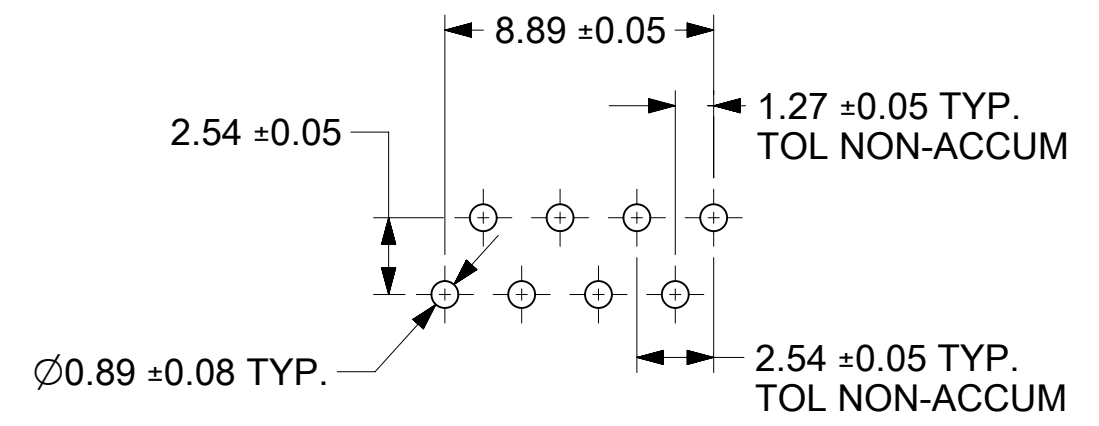
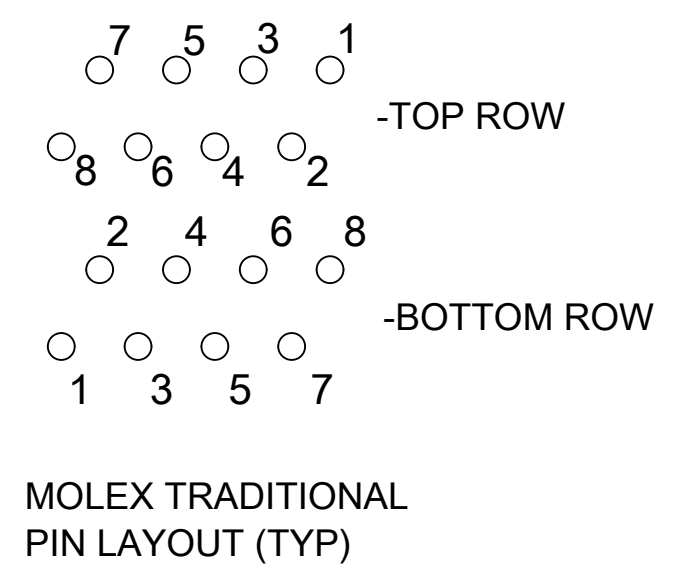
ASSEMBLY MATERIAL NUMBER	NUMBER OF PORTS	PEG STYLE	DIM "A"	DIM "B"	SIDE PANEL GROUND TABS	INNER/REAR GROUND TABS
44520-0001	8 (2 X 4)	SNAP-FIT	59.18	53.34	YES	YES
X 44520-2001	8 (2 X 4)	SNAP-FIT	59.18	53.34	NO	YES
X 44520-3001	8 (2 X 4)	SNAP-FIT	59.18	53.34	YES	NO
X 44520-4001	8 (2 X 4)	SNAP-FIT	59.18	53.34	NO	NO
44520-0004	8 (2 X 4)	PRESS-FIT	59.18	53.34	YES	YES
X 44520-2004	8 (2 X 4)	PRESS-FIT	59.18	53.34	NO	YES
X 44520-3004	8 (2 X 4)	PRESS-FIT	59.18	53.34	YES	NO
X 44520-4004	8 (2 X 4)	PRESS-FIT	59.18	53.34	NO	NO
44520-0002	12 (2 X 6)	SNAP-FIT	87.12	81.28	YES	YES
X 44520-2002	12 (2 X 6)	SNAP-FIT	87.12	81.28	NO	YES
X 44520-3002	12 (2 X 6)	SNAP-FIT	87.12	81.28	YES	NO
X 44520-4002	12 (2 X 6)	SNAP-FIT	87.12	81.28	NO	NO
44520-0005	12 (2 X 6)	PRESS-FIT	87.12	81.28	YES	YES
X 44520-2005	12 (2 X 6)	PRESS-FIT	87.12	81.28	NO	YES
X 44520-3005	12 (2 X 6)	PRESS-FIT	87.12	81.28	YES	NO
X 44520-4005	12 (2 X 6)	PRESS-FIT	87.12	81.28	NO	NO

X = NOT TOOLED

FUNCTIONAL SYMBOLS	THIS DRAWING CONTAINS INFORMATION THAT IS PROPRIETARY TO MOLEX ELECTRONIC TECHNOLOGIES, LLC AND SHOULD NOT BE USED WITHOUT WRITTEN PERMISSION		CURRENT REV DESC: MIGRATION	
	DIMENSION UNITS	SCALE		
$\frac{F}{A} = 0$	mm	2:1		
$\frac{F}{C} = 0$	GENERAL TOLERANCES (UNLESS SPECIFIED)			
$\frac{F}{P} = 0$		MM	INCH	
	4 PLACES	±	±	
DIVISIONAL SYMBOLS	3 PLACES	±	±	
	2 PLACES	± 0.25	±	
	1 PLACE	±	±	
	0 PLACES	±	±	
	ANGULAR TOL	± 0.5°		
DRAFT WHERE APPLICABLE MUST REMAIN WITHIN DIMENSIONS		THIRD ANGLE PROJECTION	DRAWING	SERIES
			C-SIZE	44520
		EC NO: 709880	2021/07/23	
		DRWN: RPRABHUM	2022/06/29	
		CHK'D: KLANG	2022/06/29	
		APPR: KLANG	2022/06/29	
		INITIAL REVISION:		
		DRWN: MARGULIS	1999/04/16	
		APPR: ROBERTS	1999/04/16	
DOCUMENT STATUS		DOC NUMBER	DOC TYPE	DOC PART
P1	RELEASE DATE	SD-44520-001	PSD	001
2022/06/29	03:15:30			
MATERIAL NUMBER		CUSTOMER	SHEET NUMBER	
SEE CHART	GENERAL MARKET		1 OF 2	



PC BOARD LAYOUT: COMPONENT SIDE
 RECOMMENDED PCB THICKNESS: 1.57
 (12 PORT VERSION SHOWN)
 ALL DIMENSION TOLERANCES ARE ±0.08
 UNLESS SPECIFIED OTHERWISE



RECOMMENDED PANEL CUTOUT

NUMBER OF PORTS	DIM "B"	DIM "C"	DIM "D"	DIM "E"	DIM "F"	DIM "I"
8 (2 X 4)	53.34	38.10	52.07			59.94
12 (2 X 6)	81.28	38.10	52.07	66.04	80.01	87.88

FUNCTIONAL SYMBOLS $\frac{F}{A} = 0$ $\frac{F}{C} = 0$ $\frac{F}{P} = 0$ DIVISIONAL SYMBOLS	THIS DRAWING CONTAINS INFORMATION THAT IS PROPRIETARY TO MOLEX ELECTRONIC TECHNOLOGIES, LLC AND SHOULD NOT BE USED WITHOUT WRITTEN PERMISSION					
	DIMENSION UNITS: mm		SCALE: 2:1		CURRENT REV DESC: MIGRATION	
	GENERAL TOLERANCES (UNLESS SPECIFIED)					
		MM	INCH	EC NO: 709880		
4 PLACES ±				DRWN: RPRABHUM		2021/07/23
3 PLACES ±				CHK'D: KLANG		2022/06/29
2 PLACES ±		0.25		APPR: KLANG		2022/06/29
1 PLACE ±				INITIAL REVISION:		
0 PLACES ±				DRWN: MARGULIS		1999/04/16
ANGULAR TOL ± 0.5°				APPR: ROBERTS		1999/04/18
DRAFT WHERE APPLICABLE MUST REMAIN WITHIN DIMENSIONS		THIRD ANGLE PROJECTION		DRAWING: C-SIZE	SERIES: 44520	DOCUMENT NUMBER: SD-44520-001
				MATERIAL NUMBER: SEE CHART		DOC TYPE: PSD
				CUSTOMER: GENERAL MARKET		DOC PART: 001
				SHEET NUMBER: 2 OF 2		REVISION: D3