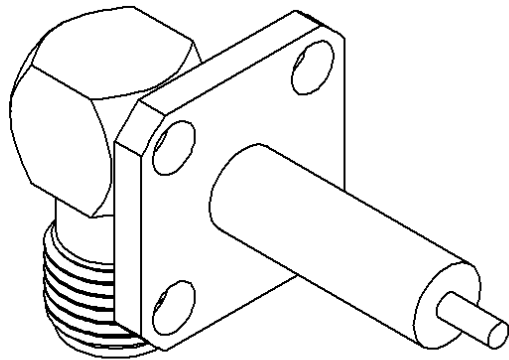
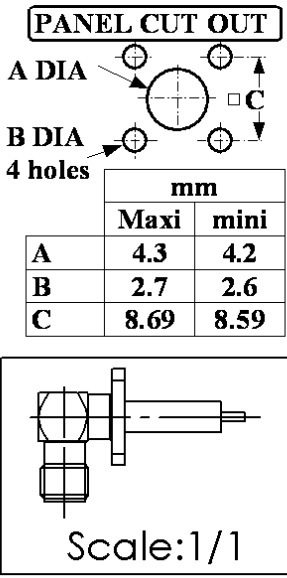
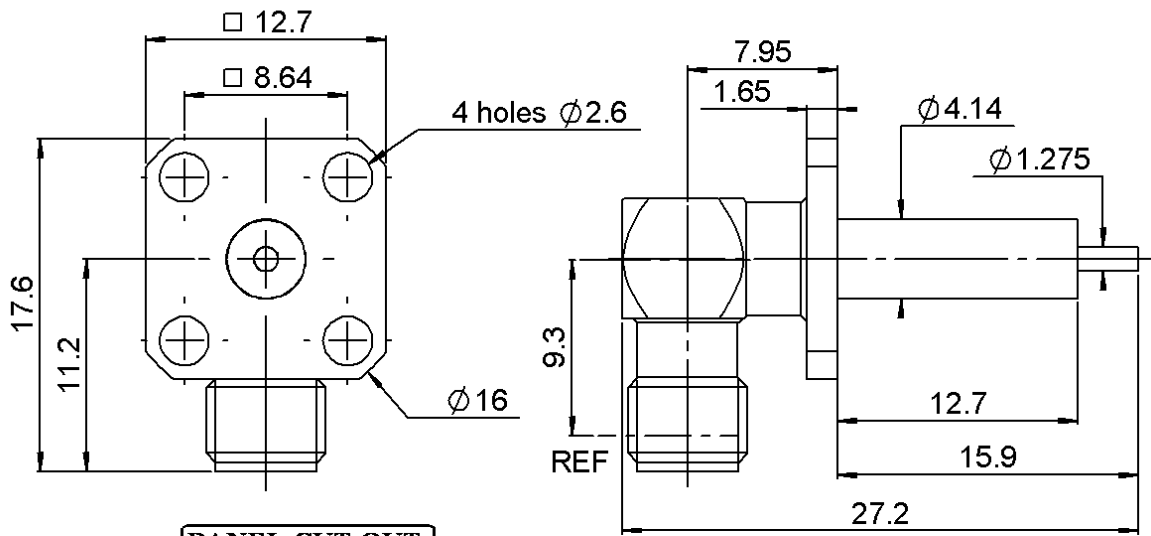


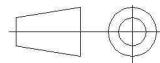
RIGHT ANGLE SQUARE FLANGE JACK RECEPT.

R125.654.450

Series : SMA



All dimensions are in mm.



| COMPONENTS | MATERIALS | PLATING (µm) |
|----------------|------------------|------------------------|
| BODY | INOX | GOLD 0.5 OVER NICKEL 2 |
| CENTER CONTACT | BERYLLIUM COPPER | GOLD 1.3 OVER NICKEL2 |
| OUTER CONTACT | - | - |
| INSULATOR | PTFE | - |
| GASKET | - | - |
| OTHERS PARTS | - | - |
| . | - | - |
| . | - | - |

Issue : 0442 J

In the effort to improve our products, we reserve the right to make changes judged to be necessary.



RIGHT ANGLE SQUARE FLANGE JACK RECEPT.

R125.654.450

Series : SMA

PACKAGING

SPECIFICATION

| Standard | Unit | Other |
|----------|------|-------------------|
| 1 | | Contact us |

ELECTRICAL CHARACTERISTICS

ENVIRONMENTAL

| | | |
|---------------------------------|---------------|------------------------------|
| Impedance | | 50 Ω |
| Frequency | | 0-18 GHz |
| VSWR | 1.05 + | 0,0100 x F(GHz) Maxi |
| Insertion loss | | 0.06* √F(GHz) dB Maxi |
| RF leakage | - (| 100 - F(GHz)) dB Maxi |
| Voltage rating | | 500 Veff Maxi |
| Dielectric withstanding voltage | | 1000 Veff mini |
| Insulation resistance | | 5000 MΩ mini |

| | |
|-----------------------|---------------------|
| Operating temperature | -65/+165 ° C |
| Hermetic seal | NA Atm.cm3/s |
| Panel leakage | NA |

OTHER CHARACTERISTICS

Assembly instruction **NA**

Others :

* Coaxial Transmission Line Only

MECHANICAL CHARACTERISTICS

| | | |
|----------------------------|-----------|-----------|
| Center contact retention | | |
| Axial force – Mating end | 27 | N mini |
| Axial force – Opposite end | 27 | N mini |
| Torque | NA | N.cm mini |

| | | |
|--------------------|------------|------|
| Recommended torque | | |
| Mating | 100 | N.cm |
| Panel nut | 100 | N.cm |

| | | |
|-------------|---------------|-------------|
| Mating life | 500 | Cycles mini |
| Weight | 5,1070 | g |

Issue : 0442 J

In the effort to improve our products, we reserve the right to make changes judged to be necessary.

