

- For Detailed LED Data, See Discrete Section, Model 200

<b>1</b>	<b>Model</b>	<b>Wires</b>
	P81 P84	W (optional)

**TO ORDER, FOLLOW THE EXAMPLE:**

Select one **BOLD** component from each numbered category in the tables below.

<b>1</b>	<b>Model</b>	<b>2</b>	<b>LED</b>	<b>3</b>	<b>Voltage</b>	<b>4</b>	<b>Lens</b>
	P81		-G		24		-CG

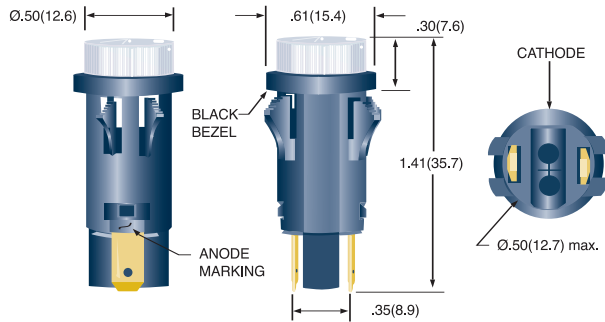
→Part Number **P81-G24-CG**

HIGH INTENSITY - WATERCLEAR ENCAPSULATION						
<b>2</b>	<b>LED</b>	<b>Color</b>	$\lambda_{pk}$ (nm)	$I_v$ [1] (mcd)	<b>Viewing Angle</b>	<b>V/C</b> Table[2]
	-R	RED	634	780	75	I
	-O	ORG	605	360	75	I
	-A	AMB	592	600	75	I
	-G	GRN	520	780	75	II
	-B	BLU	465	168	75	II
	-W	CWHT		280	75	II

Voltage/Current	
Design Vf/If	Max Vf/If
<b>V/C Table I</b>	
5V/22mA	5.5V/28mA
6V/21mA	7V/27mA
12V/20mA	14V/25mA
15V/24mA	16.5V/28mA
24V/17mA	26V/20mA
28V/16.5mA	30V/18mA
48V/15mA	50V/16mA
60V/9mA	65V/10mA
120VAC/3.5mA	130VAC/4mA

<b>3</b>	<b>Voltage</b> <sup>[4]</sup>
	2
	5
	6
	12
	15
	24
	28
	48
	60
	120

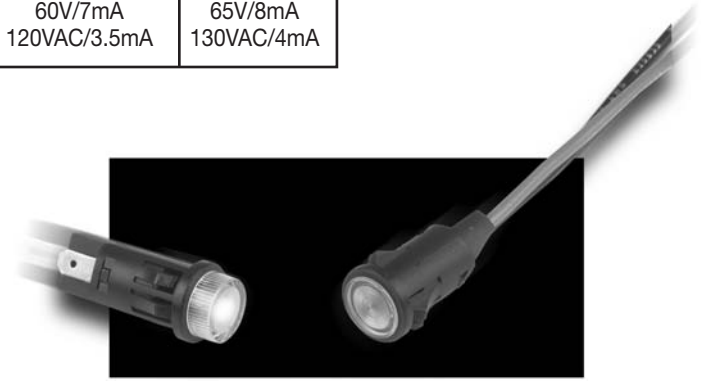
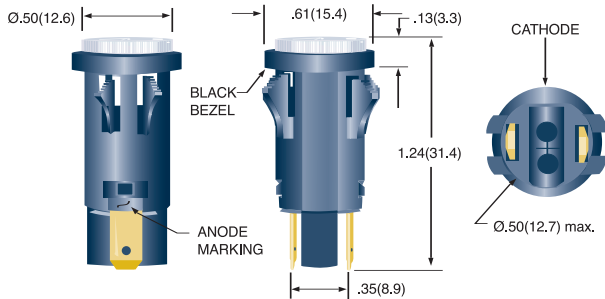
**P81**



Voltage/Current	
Design Vf/If	Max Vf/If
<b>V/C Table II</b>	
5V/15mA	5.5V/23mA
6V/15mA	7V/25mA
12V/15mA	14V/20mA
15V/15mA	16.5V/18mA
24V/15mA	26V/18mA
28V/15mA	30V/17mA
48V/9.5mA	50V/10mA
60V/7mA	65V/8mA
120VAC/3.5mA	130VAC/4mA

<b>4</b>	<b>Lens</b>
-CR	Red
-CA	Amber
-CG	Green
-CB	Blue
-CW	Water Clear

**P84**



[1]  $I_v$  = typical luminous intensity @  $I_f = 20mA(T_a=25^\circ C)$ .  $I_v$  is measured without lenses.  
 [2] See Voltage/Current table for design specifications.  
 [3]  $T_a = 25^\circ C$ . Voltages 5 through 60 are VDC. For AC operation, insert D after Voltage (e.g 24D), D indicates built-in rectifier; not required for 5VDC or 120VAC. DC operation not available for 120V.

**Standard Wire Leads:**  
 6.0" total length(nominal)/.50" stripped (nominal), red anode/black cathode, 18 AWG stranded UL1015 insulation. Contact factory for other lengths, gauges and colors.

**All dimensions are in inches (mm)**  
 Tolerances: .xx"(.x)  $\pm .025"$ (.63) / .xxx"(.xx) $\pm .010"$ (.25)  
 Specifications are subject to change without notice.