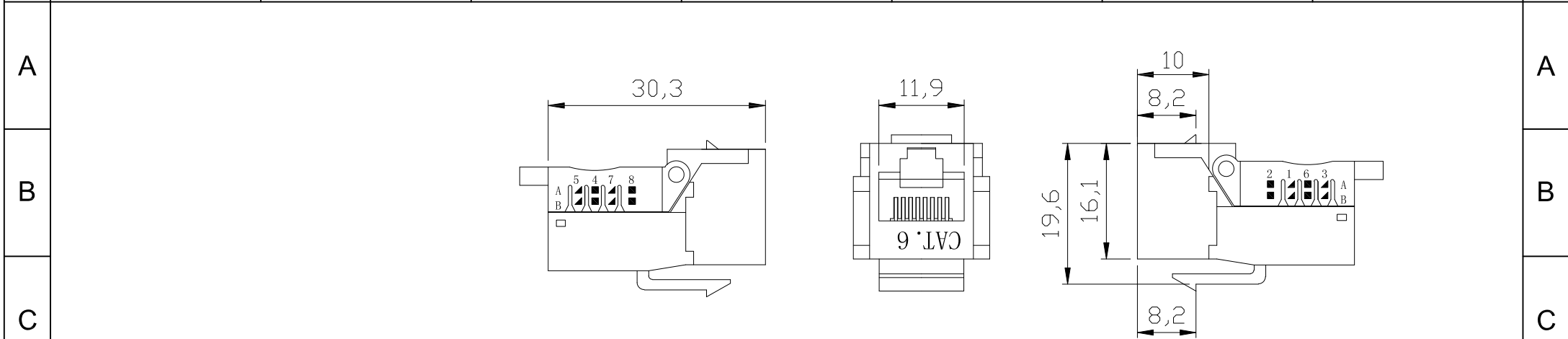


	1	2	3	4	5	6	7
--	---	---	---	---	---	---	---



NOTES:

- Material:
 1 RJ45 Jack Housing: ABS, UL94V-0, with optional color;
 2 Jack Bracket Set: PBT, UL94V-0;
 3 RJ45 Jack Contact Material & Finished Phosphor Bronze,
 Contact Area: Min 3MM 3 Micro-inch Gold Plated Over Nickel Plated;
 4 IDC Housing: PC, UL94V-2;
 5 IDC Terminal material & Finished:
 Phosphor Bronze w/Min. 50 Micro-inch Tin Plated;
 Suitable for 23-24AWG Stranded & Solid Wire;
 6 IDC CAP: PC, UL94V-2
 Electrical:
 7 Wiring: T568A & T568B;
 8 Insertion Force: 900 GM for 8 Contacts;
 9 Retention Strength: 7.7Kg Between Jack & Plug;
 10 Operating Temperature: -10°C~+60°C;
 11 Durability: Jack: 750 Cycles Plug-Jack Mating And Unmating Test,
 Insertion Cycles At 20 Cycles/ Minute Max. Contact
 Resistance Test Per 100 Cycles.
 12 The Cat.6 Transmission Performance Is In Compliance With The
 ANSI/TIA/EIA 568B.2-1 Standard.

WSW P/N	COLOR
DN-93601-U/B	Blue
DN-93601-U/BL	Black
DN-93601-U/R	Red
DN-93601-U/WH	White
DN-93601-U/Y	Yellow

RoHS compliant
Unit: mm

Scale	Free				Date	Name	
TOLERANCE					Drawn	24.06.2019	Segal
0-20	±0.10				Approved	24.06.2019	Segal
20-50	±0.15						
50-100	±0.20						
100-	±0.25						
DIM	TOL	Ⓢ	Drawn	24.06.2019	Segal		
Angle	±30'	Id.	Modification	Date	Name		

Customer-No.	
ASSMANN WSW-No. DN-93601-U/xx	
Drawing-No.	rev00
Replace	Sheet

	1	2	3	4	5	6	7
--	---	---	---	---	---	---	---