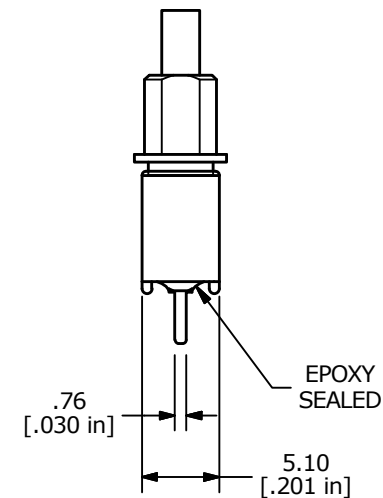
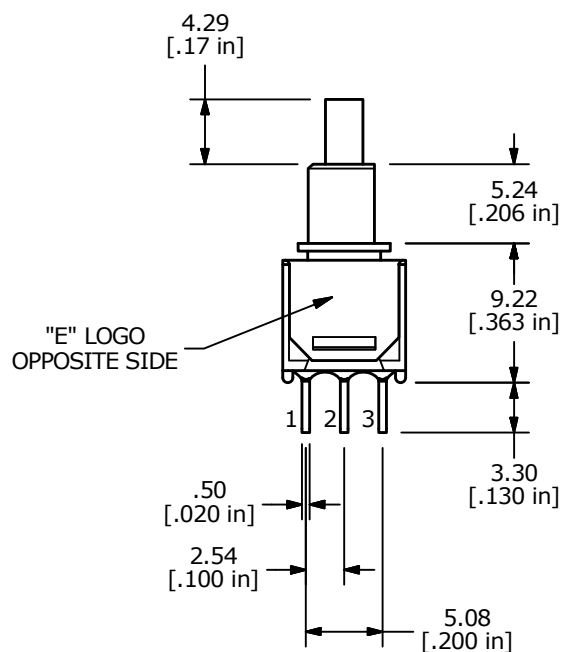
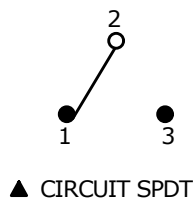


SWITCH FUNCTION	
POS. 1	POS. 2
ON	ON
2-1	2-3



- NOTE:
1. ALL DIMENSIONS IN MM [INCH]
 2. GENERAL TOLERANCE: X.X = ±0.4
X.XX = ±0.25
 3. TERMINAL NUMBERS FOR REF ONLY
 - ▲ 4. CONTACT MATERIAL: SILVER
 5. RATING: 3A @120VAC or 28VDC, 1A @250VAC
 6. MECHANICAL LIFE: 6,000 MAKE-AND-BREAK CYCLES
 7. CONTACT RESISTANCE: 50 mΩ MAX. INITIAL @ 2-4VDC
 8. INSULATION RESISTANCE: 1,000 MEGA-OHM MIN @ 1000VDC
 9. ELECTRIC STRENGTH: 1,000 V RMS @SEA LEVEL
 10. OPERATING TEMP.: -30°C to 85°C
 11. OPERATING FORCE: 350 ±100gf
 12. TRAVEL: Electrical Make: 1.34±0.25mm / Full travel: 1.88±0.30mm
 13. ▲ DENOTES CRITICAL PARAMETER

C	24159	update Travel note	1/23/20	MW
B	22430	add 1A @250VAC, remove thread callout	8/9/16	MW
A	22046	New-Release	11/10/15	rc
REV	PCR NO	DESCRIPTION	DATE	BY



TITLE 800CSP1B6M2QE				
SCALE 2:1	DATE 11/10/2015	DR rc	DWG T835001	REV C

THE INFORMATION CONTAINED IN THIS DOCUMENT IS PROPRIETARY TO E-SWITCH AND IS NOT TO BE COPIED OR TRANSFERRED