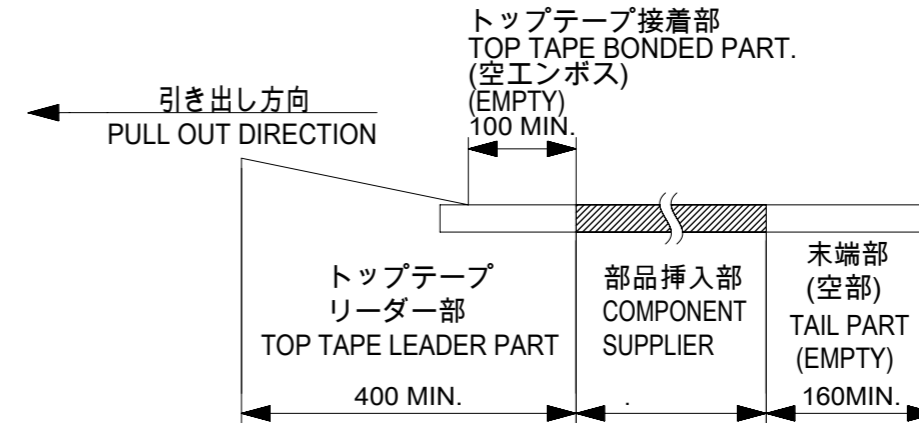
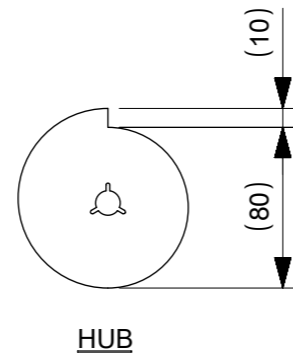
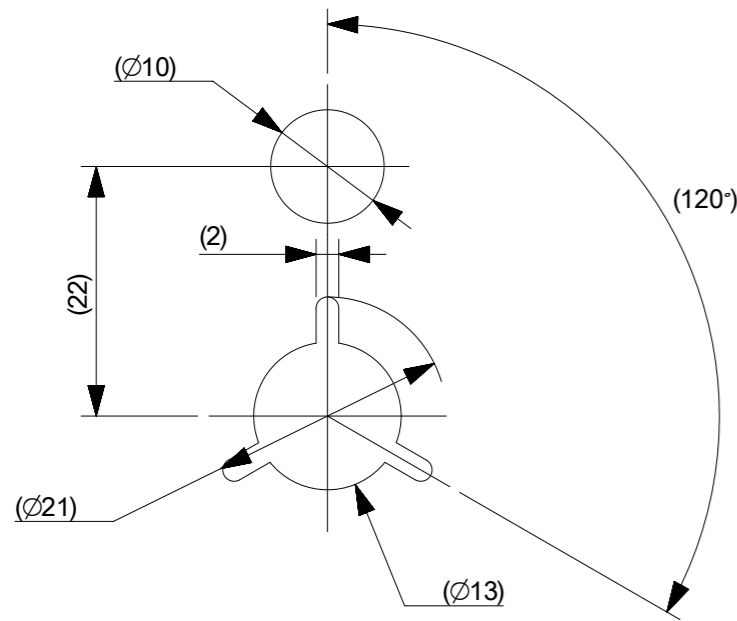
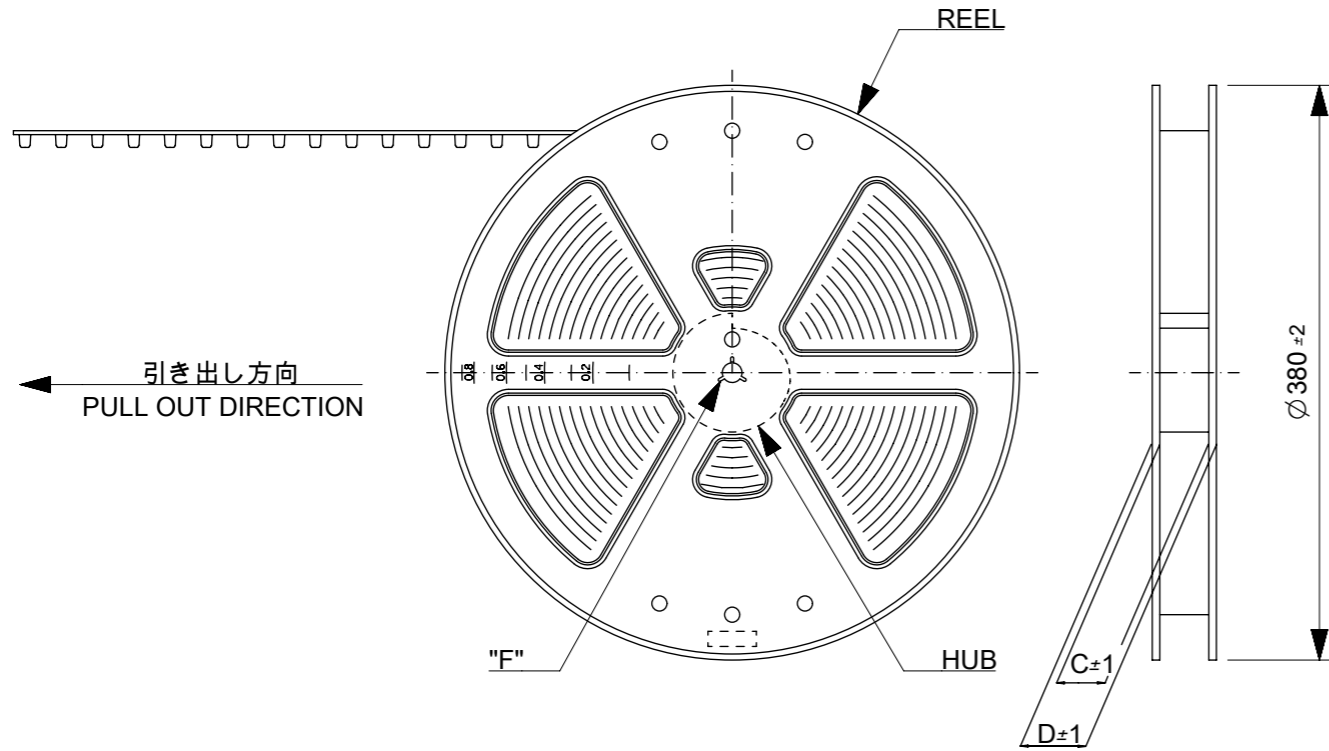


NOTES

1. 梱包数量 : 900個 / リール
NUMBER OF CONNECTORS : 900 PCS/REEL.
2. リードテープ長さ
LEAD TAPE LENGTH.



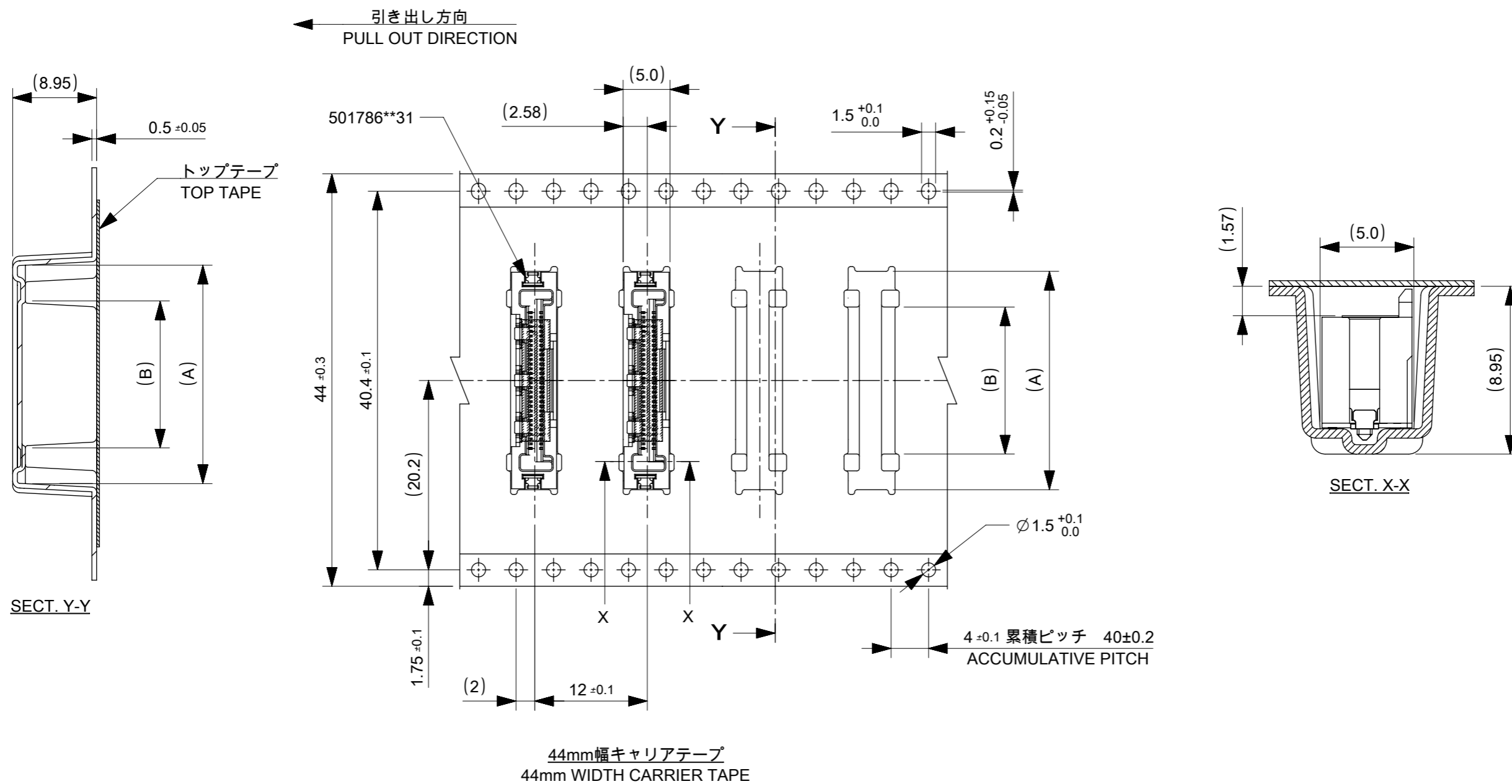
3. 製品詳細寸法については図面 5017861002 DOC.PART 000を参照下さい。
RE DETAILED DIMENSION, SEE 5017861002 DOC.PART 000.
4. 材料(MATERIAL)
キャリアテープ(CARRIER TAPE) : ポリスチレン(POLYSTYRENE)
トッptape(TOP TAPE) : PET, PE, PE
リール(REEL) : ポリスチレン(POLYSTYRENE) リサイクル材を含む
RECYCLE MATERIAL CONTAINED



DETAIL "F"

501786**91 MODEL NO.

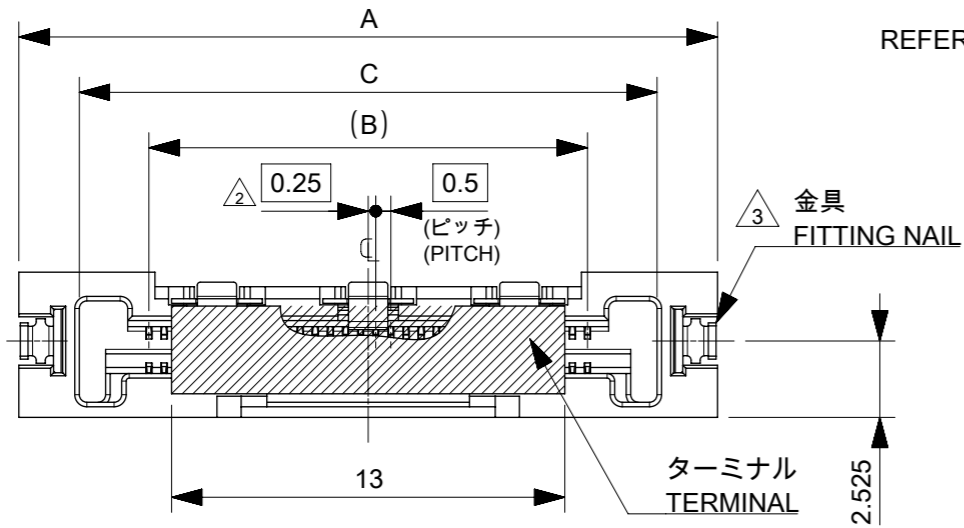
THIS DRAWING CONTAINS INFORMATION THAT IS PROPRIETARY TO MOLEX ELECTRONIC TECHNOLOGIES, LLC AND SHOULD NOT BE USED WITHOUT WRITTEN PERMISSION									
EC NO: 116288 DRWN: VLM CHK'D: YKOBAYASHI02 APPR: TKUSUHARA01	GENERAL TOLERANCES (UNLESS SPECIFIED)		DIMENSION UNITS	SCALE	molex [®]				
	ANGULAR TOL ± 3.0 °		MM	1:1					
	4 PLACES ± 0.2	DRWN BY		DATE		EMBSTP PKG FOR 0.5 FFC TO BOARD ST TYPE			
	3 PLACES ± 0.2	VLM		2016/02/17					
	2 PLACES ± 0.25	CHK'D BY		DATE		PRODUCT CUSTOMER DRAWING			
1 PLACE ± 0.3	YKOBAYASHI02		2017/04/28						
0 PLACES ± 0.3	APPR BY		DATE		SERIES MATERIAL NUMBER CUSTOMER 501786 SEE CHART GENERAL MARKET				
DRAFT WHERE APPLICABLE MUST REMAIN WITHIN DIMENSIONS		TKUSUHARA01		2017/04/28					
A	REV	DRAWING SIZE	THIRD ANGLE PROJECTION		DOCUMENT NUMBER		DOC TYPE	DOC PART	SHEET NUMBER
		A3			5017860002		PSD	000	1 OF 2



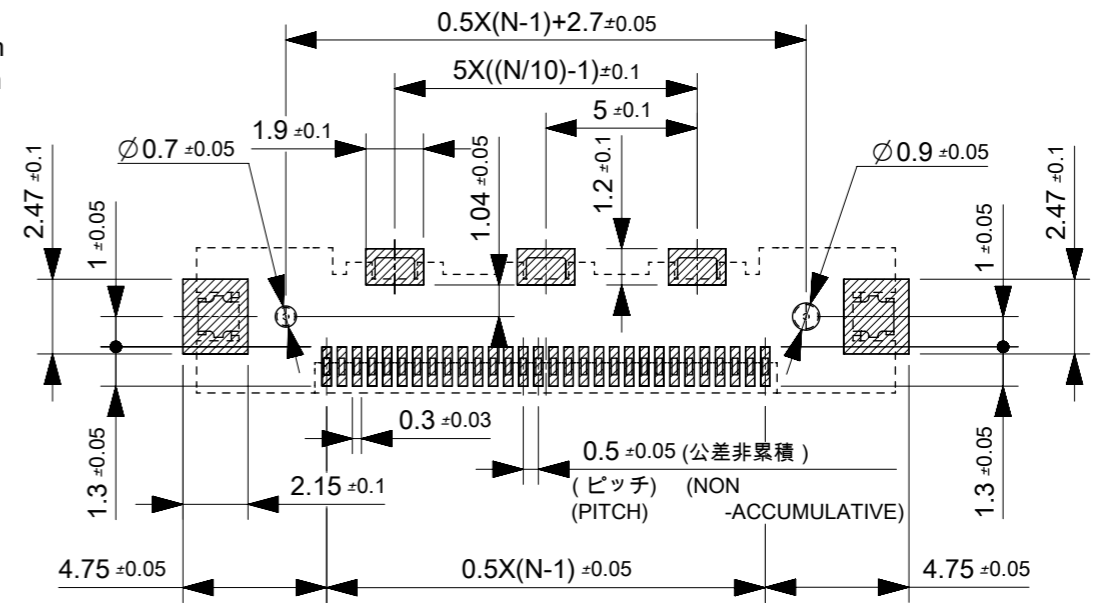
56	61.4	57.4	25.68	33.3	5017865091	50	
44	49.4	45.4	15.68	23.3	5017863091	30	
キャリアテープ幅 CARRIER TAPE WIDTH		D	C	B	A	製品番号 MATERIAL NO.	極数 CKT

THIS DRAWING CONTAINS INFORMATION THAT IS PROPRIETARY TO MOLEX ELECTRONIC TECHNOLOGIES, LLC AND SHOULD NOT BE USED WITHOUT WRITTEN PERMISSION

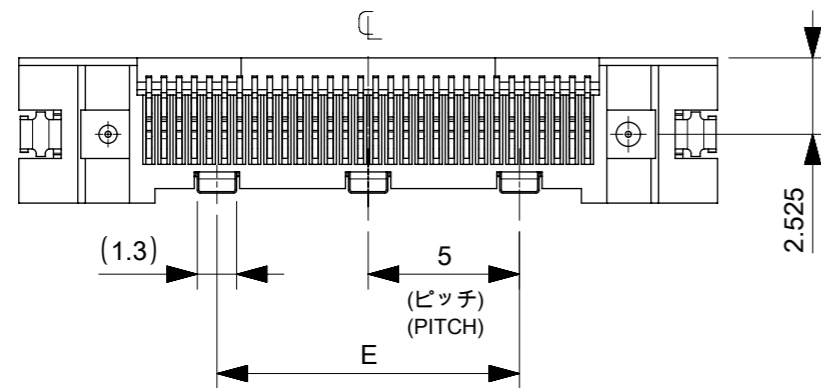
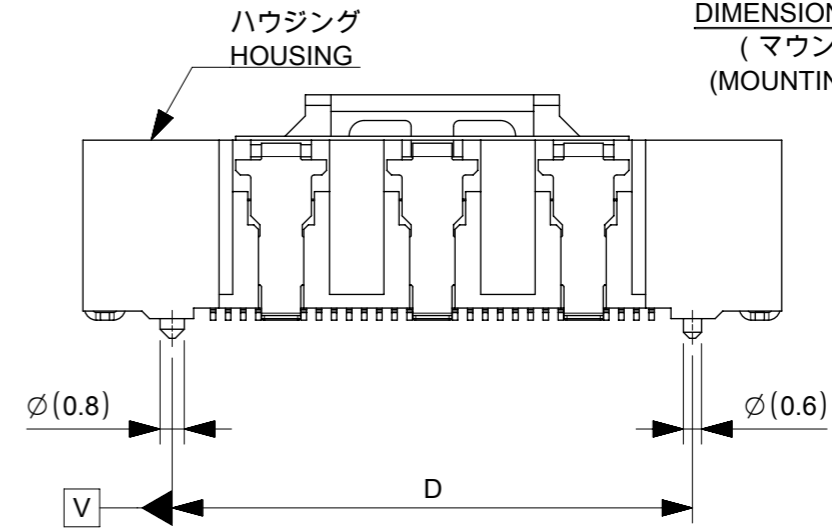
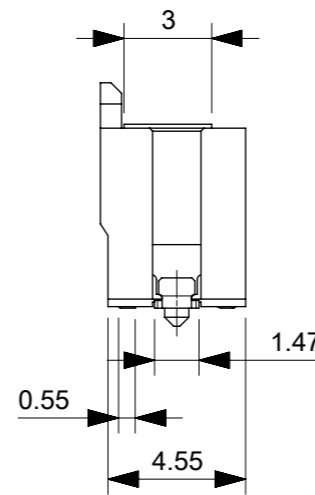
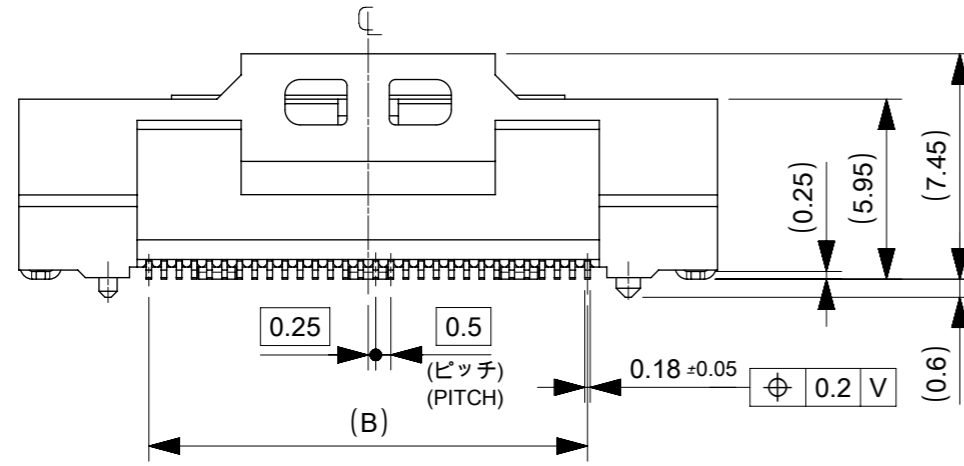
EC NO: 116288 DRWN: VLM CHK'D: YKOBAYASHI02 APPR: TKUSUHARA01	2016/02/17	GENERAL TOLERANCES (UNLESS SPECIFIED)		DIMENSION UNITS	SCALE					
	2017/04/28	ANGULAR TOL ± 3.0 °		MM	1:1					
	2017/04/28	4 PLACES ± 0.2	DRWN BY	DATE						
		3 PLACES ± 0.2	VLM	2016/02/17						
		2 PLACES ± 0.25	CHK'D BY	DATE						
	1 PLACE ± 0.3	YKOBAYASHI02	2017/04/28		EMBSTP PKG FOR 0.5 FFC TO BOARD ST TYPE					
	0 PLACES ± 0.3	APPR BY	DATE							
		TKUSUHARA01	2017/04/28							
		DRAFT WHERE APPLICABLE MUST REMAIN WITHIN DIMENSIONS		DRAWING SIZE	THIRD ANGLE PROJECTION	PRODUCT CUSTOMER DRAWING				
A	REV			A3		SERIES	MATERIAL NUMBER	CUSTOMER		
						501786	SEE CHART	GENERAL MARKET		
						DOCUMENT NUMBER		DOC TYPE	DOC PART	SHEET NUMBER
						5017860002		PSD	000	2 OF 2



参考マスク厚 : 120 μ m
 REFERENCE SCREEN THICKNESS : 120 μ m
 参考マスク開口率 : 100%
 REFERENCE SCREEN OPEN RATIO : 100%

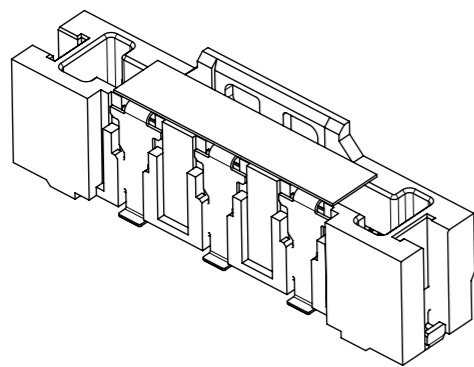


参考基板レイアウト
 P.C.BOARD PATTERN
 DIMENSION(REF.)
 (マウント面)
 (MOUNTING SIDE)



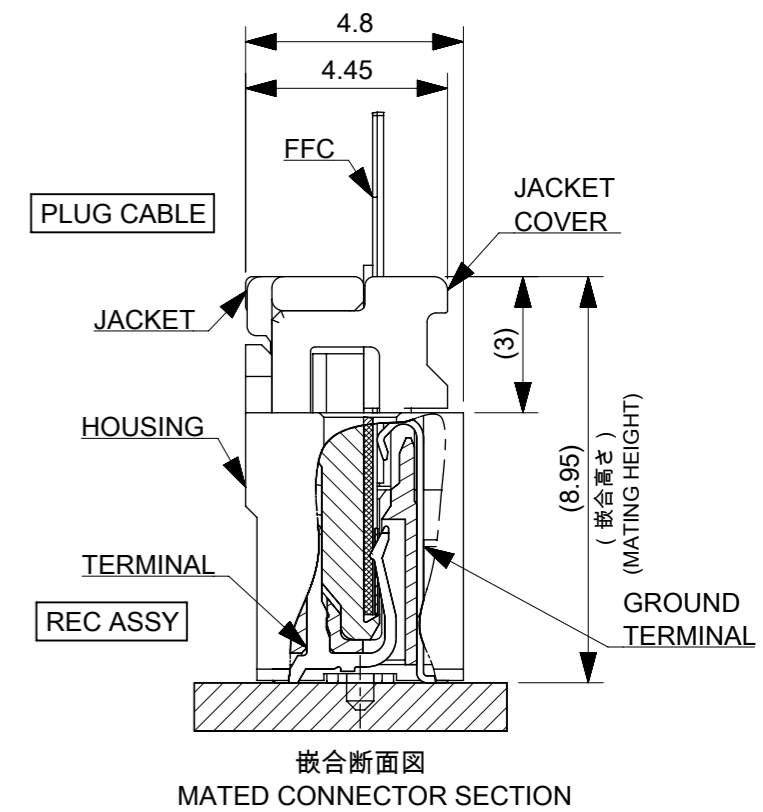
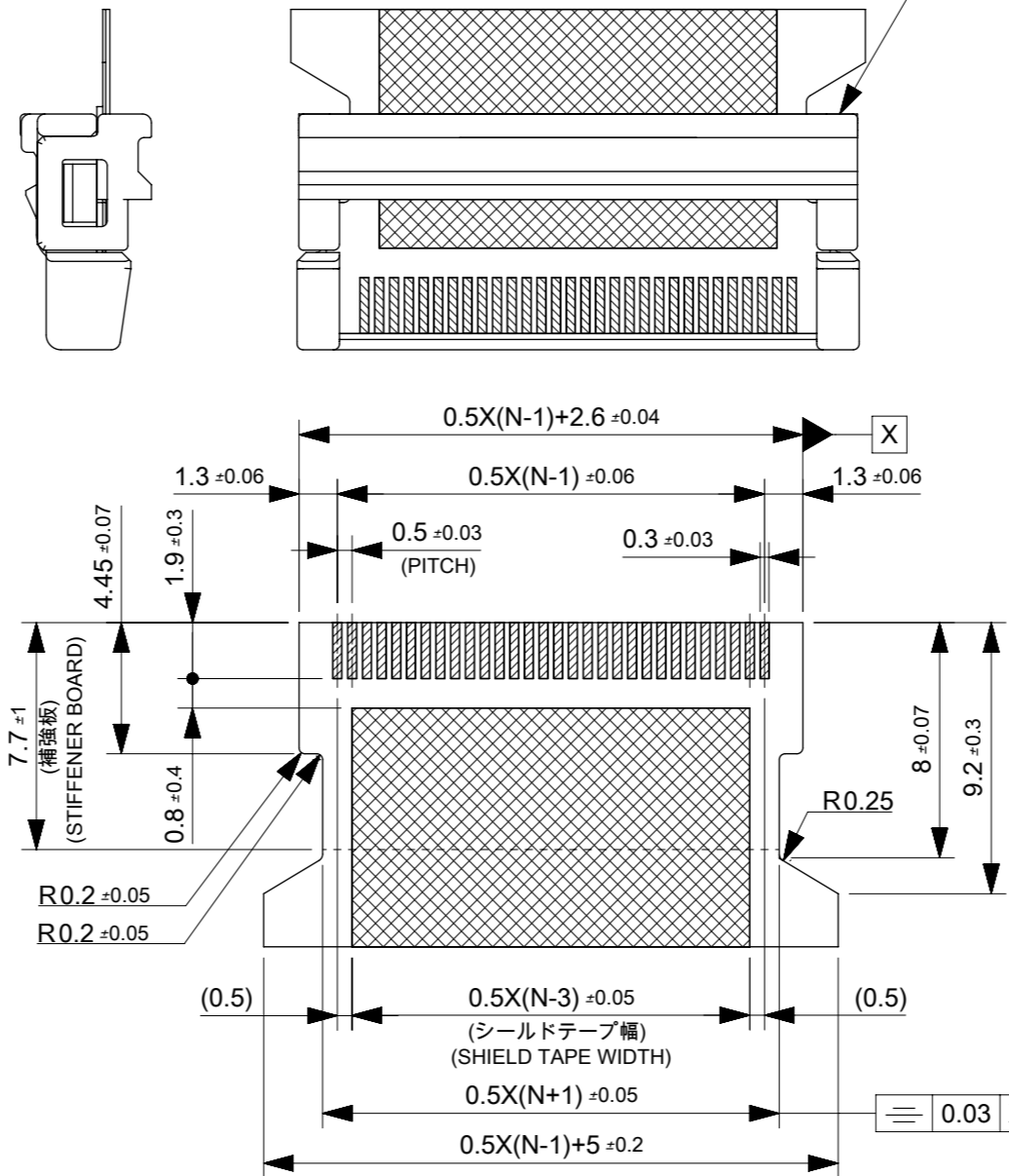
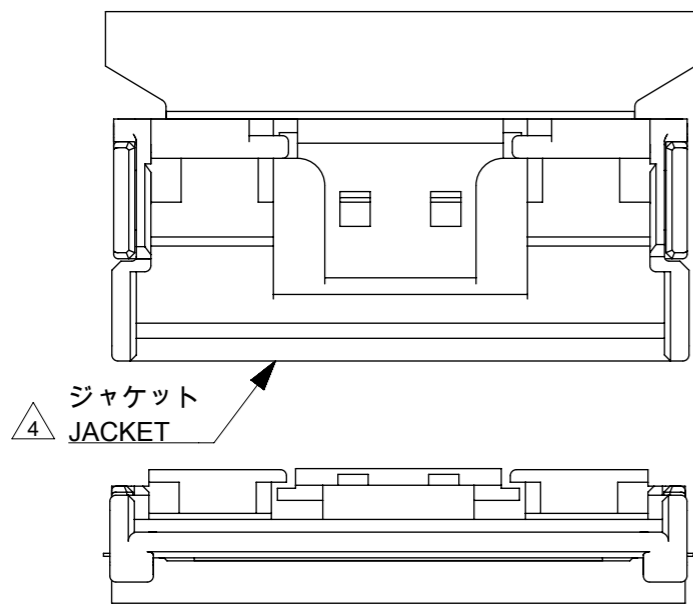
3	10	17.2	19.1	14.5	23.1	5017863091	30
QTY OF GROUND TERM						EMBOSSED TAPE PKG	極数 CIRCUIT
						ORDER No. オーダー番号	

CONNECTOR SERIES No. 501786**31



THIS DRAWING CONTAINS INFORMATION THAT IS PROPRIETARY TO MOLEX ELECTRONIC TECHNOLOGIES, LLC AND SHOULD NOT BE USED WITHOUT WRITTEN PERMISSION

EC NO: 116590 DRWN: AISHII CHK'D: YKOBAYASHI02 APPR: TKUSUHARA01	2017/05/08	2017/05/09	2017/05/10	GENERAL TOLERANCES (UNLESS SPECIFIED)		DIMENSION UNITS	SCALE								
	ANGULAR TOL \pm 3.0 °			MM	4:1										
	4 PLACES	\pm 0.2	NKURAHATTI		DATE		2016/02/26		0.5 FFC TO BOARD CONN REC HSG ASSY(ST)						
	3 PLACES	\pm 0.2	CHK'D BY		DATE		2017/04/28								
	2 PLACES	\pm 0.25	APPR BY		DATE		2017/04/28								
1 PLACE	\pm 0.3	DRAWING SIZE		THIRD ANGLE PROJECTION		A3		PRODUCT CUSTOMER DRAWING							
0 PLACES	\pm 0.3	DRAFT WHERE APPLICABLE MUST REMAIN WITHIN DIMENSIONS						SERIES		MATERIAL NUMBER		CUSTOMER			
								501786				GENERAL MARKET			
								DOCUMENT NUMBER		DOC TYPE		DOC PART		SHEET NUMBER	
								5017861002		PSD		000		1 OF 2	



注記 NOTE

1. 使用材料 MATERIAL
- ハウジング : 液晶ポリマ (L C P), ガラス充填, UL94V-0 色:黒色
LIQUID CRYSTAL POLYMER(LCP), GLASS FILLED, UL94V-0 COLOR:BLACK
 - ターミナル TERMINAL : 燐青銅 (t = 0.18)
PHOSPHOR BRONZE(t=0.18)
 - メッキ PLATING : ニッケル下地 (1.0µm以上)
金メッキ (0.1µm以上)
 - CONTACT AREA OVER NICKEL PLATING (1.0µm MINIMUM) : GOLD PLATING (0.1µm MINIMUM)
 - ソルダーテール TAIL AREA : ニッケル下地
金メッキ
OVER NICKEL PLATING
GOLD PLATING
 - 金具 FITTING NAIL : 燐青銅 (t = 0.25)
ニッケル下地 錫メッキ (1.0µm以上)
PHOSPHOR BRONZE(t=0.25)
TIN OVER NICKEL PLATING.(1.0µm MINIMUM)
 - △2 グランド端子 GROUND TERMINAL : 燐青銅 (t = 0.15)
ニッケル下地 錫メッキ (1.0µm以上)
PHOSPHOR BRONZE(t=0.15)
TIN OVER NICKEL PLATING.(1.0µm MINIMUM)

N = 偶数に適用 (N : 極数)
APPLY FOR N=EVEN(N:CIRCUIT)

△3 パターン剥離止め用金具
FITTING NAIL FOR PREVENTION OF PEELING OF P.C.B PATTERN.

△4 適合ジャケット : 501783**09
製品詳細寸法は 5017832000 DOC.PART 000を参照下さい。
APPLICABLE JACKET:503150**09.
RE DETAILED DIMENSION,SEE 5017832000 DOC.PART 000.

△5 適合ジャケットカバー : 501784**08
製品詳細寸法は 5017842001 DOC.PART 000を参照下さい。
APPLICABLE JACKET:501784**08.
RE DETAILED DIMENSION,SEE 5017842001 DOC.PART 000.

適合する金めっき F F C 推奨寸法
APPLICABLE FFC OF GOLD PLATING
RECOMENDED DIMENSION
(仕上がり厚さ : コネクタ接点部 0.3±0.03)
シールド部 0.44±0.05)
(THICKNESS : CONTACT AREA 0.3±0.03)
SHIELD AREA 0.44±0.05)

- コネクタ接点部 CONTACT AREA
- シールド部 SHIELD AREA

THIS DRAWING CONTAINS INFORMATION THAT IS PROPRIETARY TO MOLEX ELECTRONIC TECHNOLOGIES, LLC AND SHOULD NOT BE USED WITHOUT WRITTEN PERMISSION

2017/05/08 2017/05/09 2017/05/10	GENERAL TOLERANCES (UNLESS SPECIFIED)		DIMENSION UNITS	SCALE				
	ANGULAR TOL ± 3.0 °		MM	1:1				
	DRWN BY	DATE	NKURAHATTI 2016/02/26					
	CHK'D BY	DATE	YKOBAYASHI02 2017/04/28					
EC NO: 116590 DRWN: AISHII CHK'D: YKOBAYASHI02 APPR: TKUSUHARA01	4 PLACES	± 0.2	APPR BY	DATE	PRODUCT CUSTOMER DRAWING			
	3 PLACES	± 0.2	TKUSUHARA01	2017/04/28				
B	2 PLACES	± 0.25	DRAWING SIZE	THIRD ANGLE PROJECTION	SERIES	MATERIAL NUMBER	CUSTOMER	
	1 PLACE	± 0.3	A3		501786	SEE CHART	GENERAL MARKET	
REV	DRAFT WHERE APPLICABLE MUST REMAIN WITHIN DIMENSIONS				DOCUMENT NUMBER	DOC TYPE	DOC PART	SHEET NUMBER
					5017861002	PSD	000	2 OF 2