

- 1
- 2
- 3
- 4
- 5
- 6
- 7
- 8
- 9
- 10
- 11
- 12
- 13
- 14
- 15
- 16
- 17
- 18

STANDARD EXECUTIONS

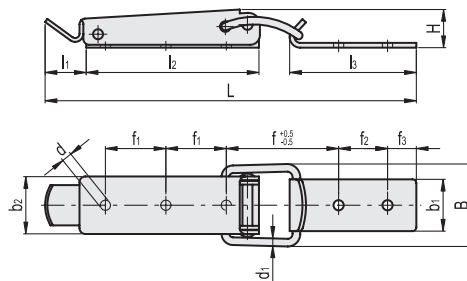
- **TLA**: basic hook clamp.
 - **TLAL**: hook clamp with padlock hole.
 - **TLAS**: hook clamp with security stop and technopolymer push button in RAL 3000 red colour or with stainless steel spring.
- Indexes for materials and treatments to add to the above-mentioned standard executions:
- **Z**: lever body and bracket in zinc-plated steel.
 - **SST**: lever body and bracket in AISI 304 stainless steel.
 - **NH**: lever body and bracket in nickel-plated steel.

SPECIAL EXECUTIONS ON REQUEST

- Hook clamps in unplated steel.
- Catch brackets in different shapes and finishes.



TLA
TLA.SST



Conversion Table			
1 mm = 0.039 inch			
b2		L	
mm	inch	mm	inch
16.4	0.64	102	4.02
23	0.91	140.5	5.53
30	1.18	193.5	7.62

TLA.Z

METRIC

Code	Description	b2	L	B	H	d	d1	b1	l1	l2	l3	f	f1	f2	f3	Max. working load [N]	Load at breakage [N]	Δ
420081	TLA.Z-16.4/102+R	16.4	102	23	11	3.2	2	13	16	44	30	34.5	12.5	12	5	550	1200	31
420061	TLA.Z-23/140.5+R	23	140.5	34	12.5	4.1	3	19	16	70	43	38	22.5	20	8	1500	3000	78
420051	TLA.Z-30/193.5+R	30	193.5	43	19	5.3	4	27	21.5	90	66	58.5	31.5	25.5	15	2000	4000	188

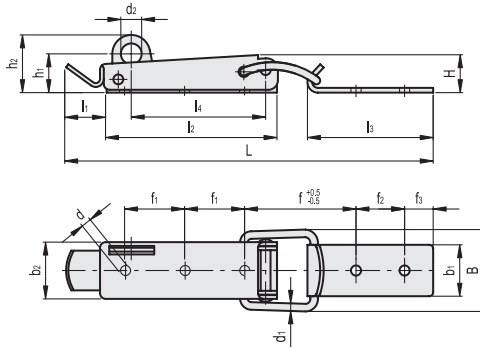
TLA.SST

INOX STAINLESS STEEL

METRIC

Code	Description	b2	L	B	H	d	d1	b1	l1	l2	l3	f	f1	f2	f3	Max. working load [N]	Load at breakage [N]	Δ
420082	TLA.SST-16.4/102+R	16.4	102	23	11	3.2	2	13	16	44	30	34.5	12.5	12	5	550	1200	31
420062	TLA.SST-23/140.5+R	23	140.5	34	12.5	4.1	3	19	16	70	43	38	22.5	20	8	1500	3000	78
420052	TLA.SST-30/193.5+R	30	193.5	43	19	5.3	4	27	21.5	90	66	58.5	31.5	25.5	15	2000	4000	188

TLAL
TLAL.SST



TLAL.Z

METRIC

Code	Description	b2	L	B	H	d	d1	d2	b1	l1	l2	l3	l4	f	f1	f2	f3	h1	h2	Max. working load [N]	Load at breakage [N]	⚖️
420085	TLAL.Z-16.4/102+R	16.4	102	23	11	3.2	2	4	13	16	44	30	34.5	34.5	12.5	12	5	11.5	15.5	550	1200	32
420063	TLAL.Z-23/140.5+R	23	140.5	34	12.5	4.1	3	7	19	16	70	43	55	38	22.5	20	8	13	20	1500	3000	79
420053	TLAL.Z-30/193.5+R	30	193.5	43	19	5.3	4	11	27	21.5	90	66	71	58.5	31.5	25.5	15	20.5	30.5	2000	4000	189

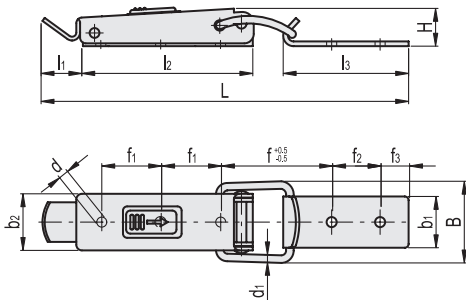
TLAL.SST

INOX STAINLESS STEEL

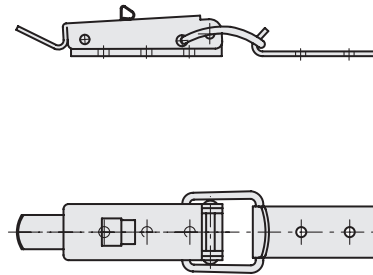
METRIC

Code	Description	b2	L	B	H	d	d1	d2	b1	l1	l2	l3	l4	f	f1	f2	f3	h1	h2	Max. working load [N]	Load at breakage [N]	⚖️
420086	TLAL.SST-16.4/102+R	16.4	102	23	11	3.2	2	4	13	16	44	30	34.5	34.5	12.5	12	5	11.5	15.5	550	1200	32
420064	TLAL.SST-23/140.5+R	23	140.5	34	12.5	4.1	3	7	19	16	70	43	55	38	22.5	20	8	13	20	1500	3000	79
420054	TLAL.SST-30/193.5+R	30	193.5	43	19	5.3	4	11	27	21.5	90	66	71	58.5	31.5	25.5	15	20.5	30.5	2000	4000	189

TLAS.NH-30/193.5+R
TLAS.SST-30/193.5+R



TLAS.Z-16.4/102+R
TLAS.SST-16.4/102+R



TLAS.

METRIC

Code	Description	b2	L	B	H	d	d1	b1	l1	l2	l3	f	f1	f2	f3	Max. working load [N]	Load at breakage [N]	⚖️
420083	TLAS.Z-16.4/102+R	16.4	102	23	11	3.2	2	13	16	44	30	34.5	12.5	12	5	550	1200	32
420055	TLAS.NH-30/193.5+R	30	193.5	43	19	5.3	4	27	21.5	90	66	58.5	31.5	25.5	15	2000	4000	189

TLAS.SST

INOX STAINLESS STEEL

METRIC

Code	Description	b2	L	B	H	d	d1	b1	l1	l2	l3	f	f1	f2	f3	Max. working load [N]	Load at breakage [N]	⚖️
420084	TLAS.SST-16.4/102+R	16.4	102	23	11	3.2	2	13	16	44	30	34.5	12.5	12	5	550	1200	32
420056	TLAS.SST-30/193.5+R	30	193.5	43	19	5.3	4	27	21.5	90	66	58.5	31.5	25.5	15	2000	4000	189



Latches