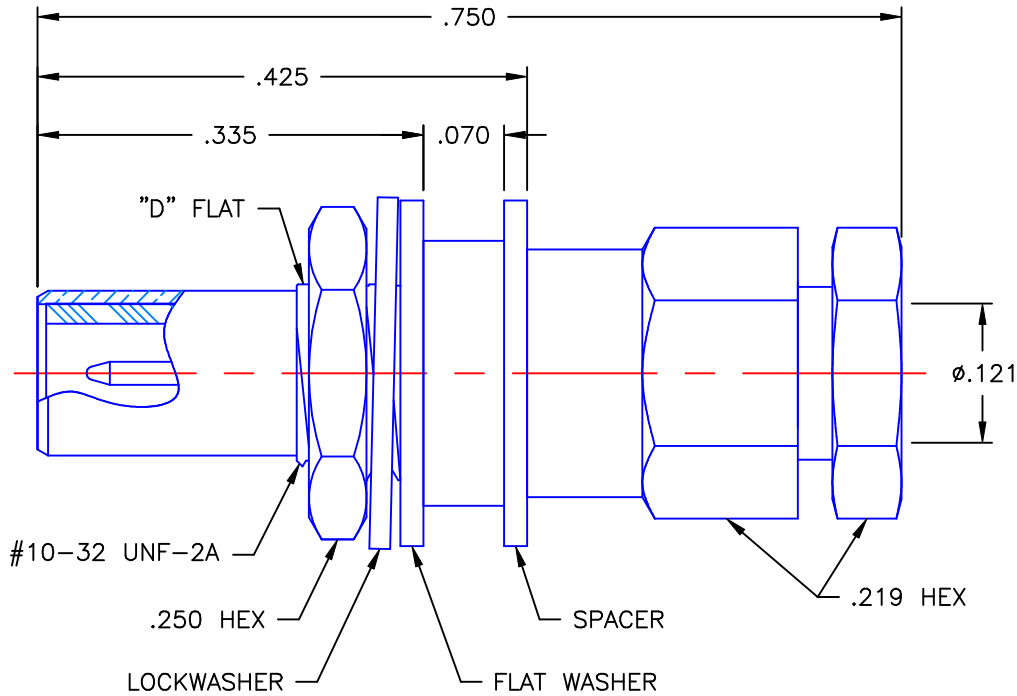


REVISIONS			
REV	DESCRIPTION	DATE	APPROVED
A	INITIAL RELEASE	08/11/10	D.N.




NOTES:

MATERIALS:

1. INSULATORS = VIRGIN WHITE TEFLON PER ASTM D1710, GRADE 1, TYPE I, CLASS "B".
2. LOCKWASHER = PHOSPHOR BRONZE PER ASTM B139, COPPER ALLOY C53400, TEMPER H04.
3. ALL OTHER METAL PARTS = BRASS PER ASTM B16, ALLOY C36000, TEMPER H02.

FINISHES:

1. CONTACT = GOLD PLATE PER MIL-G-45204, TYPE II, CLASS 1, GRADE C, OVER .00010 TO .00020 STRESS FREE SULFAMATE NICKEL PER QQ-N-290.
2. ALL OTHER METAL PARTS = GOLD PLATE PER MIL-G-45204, TYPE II, CLASS 0, GRADE C, OVER .00010 TO .00020 COPPER STRIKE PER MIL-C-14550.

UNLESS OTHERWISE SPECIFIED DIMENSIONS ARE IN INCHES TOLERANCES ON	DWN: DATE D.N. 08/11/10	 Property of Radiall This document cannot be reproduced or communicated to a third party without prior written permission of RADIALL.
	CHKD: DATE A.D.M. 08/11/10	
	APVD: DATE J.M. 08/11/10	
DECIMAL	ANGLE	SLB STRAIGHT MALE JACK BULKHEAD/FLOAT MOUNT FOR .062 PANEL CLAMP TYPE FOR RG-316 & SIMILAR CABLES
REFERENCE:	MATERIALS & FINISHES: SEE NOTES	SIZE: A FSCM NO.: 19505 DWG. NO.: 3003-1551-603 SCALE: 6:1 THIRD ANGLE PROJECTION
ORIGINATOR: D.N. DATE: 08/11/10		REV: A SHEET 1 OF 1

3003-1551-603