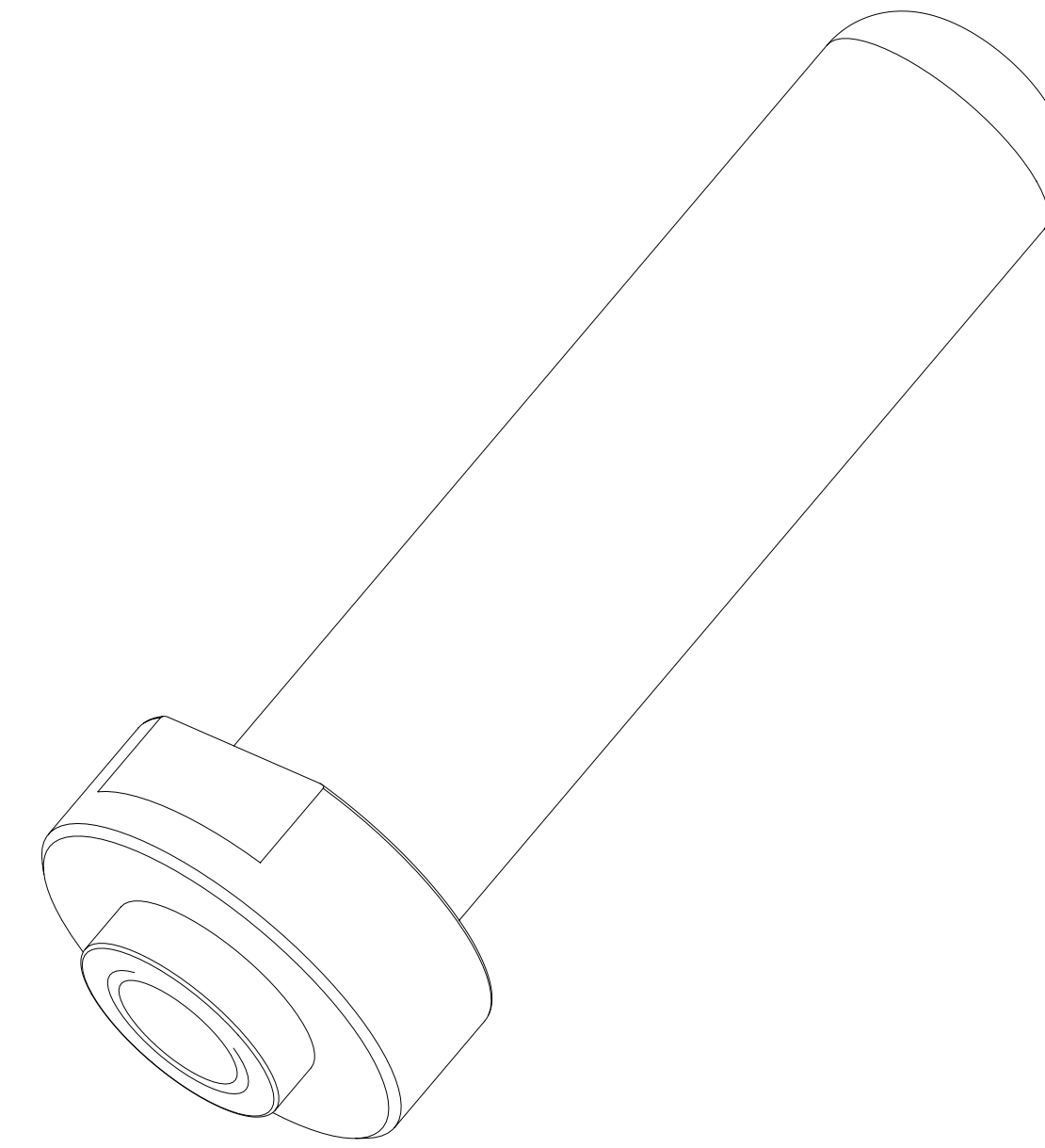
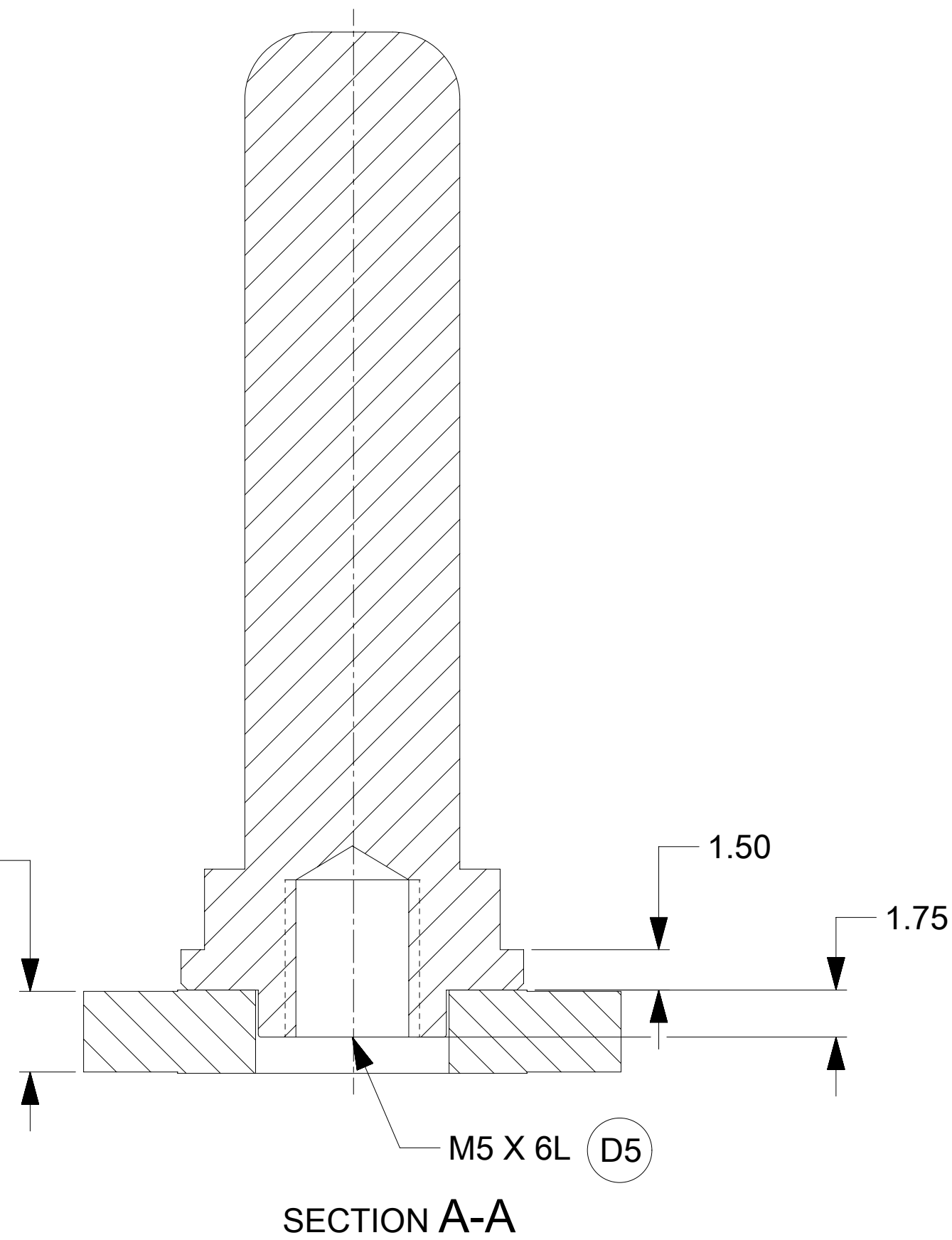
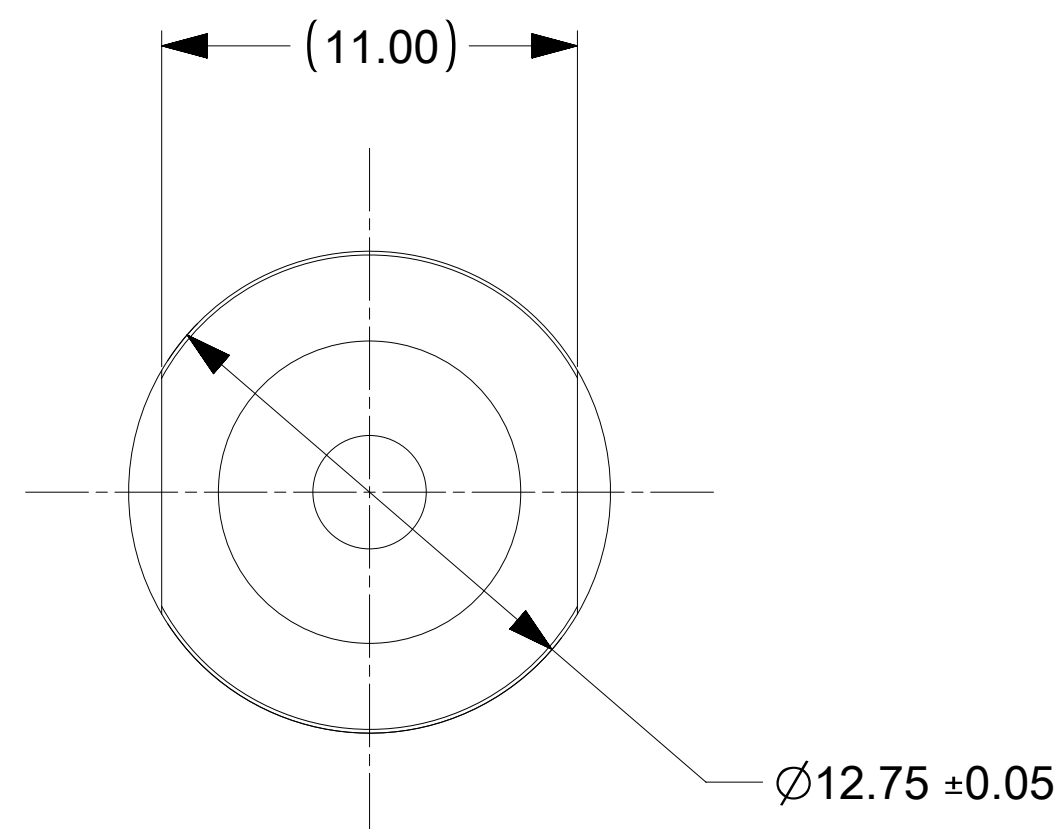
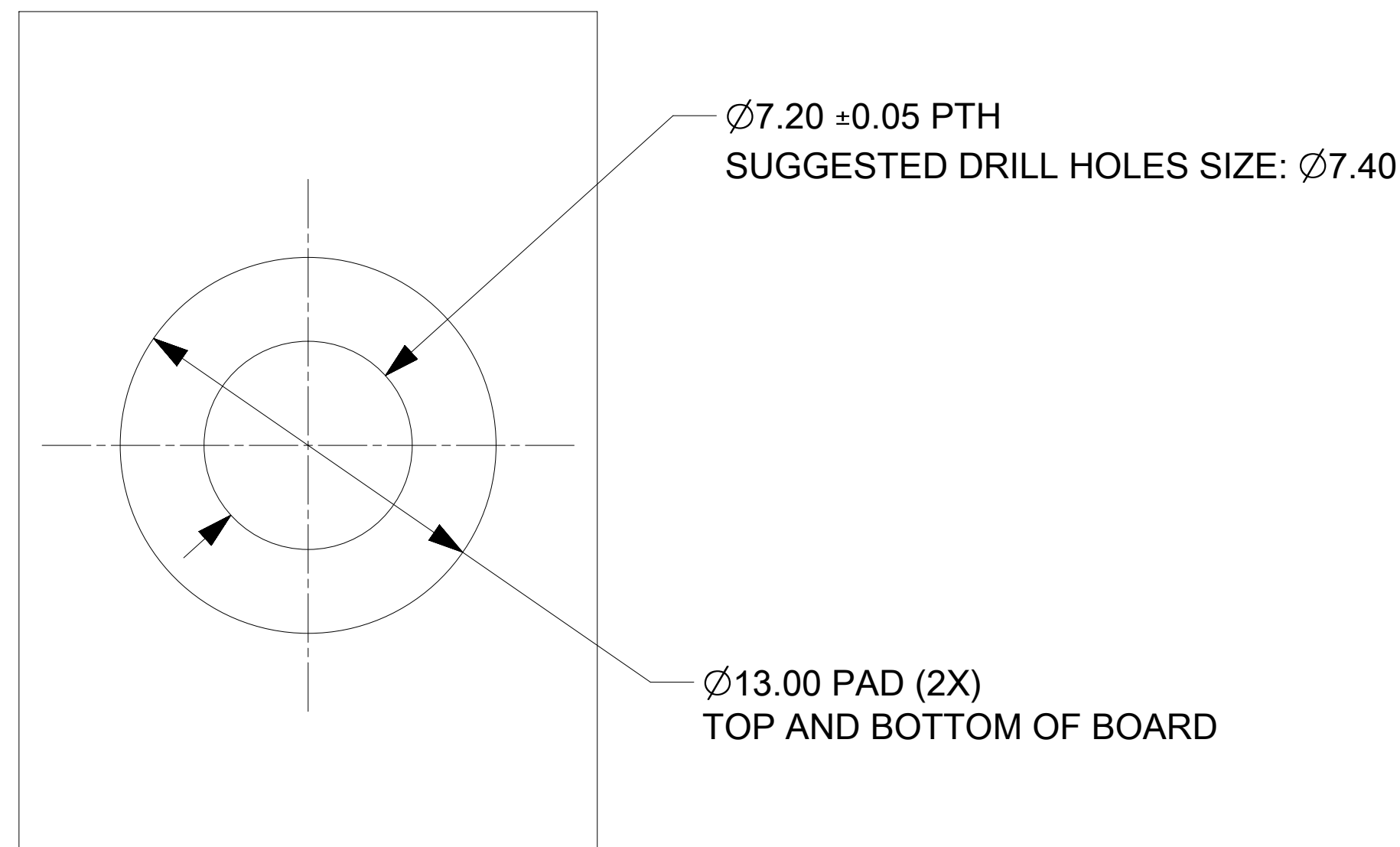


MINIMUM PCB/BUSBAR THICKNESS IS 2.00MM



PART NUMBER	DIMENSION "L"
2032634085	45.65
2032634185	35.65
2032634285	20.65
2032634385	30.65
2032634485	29.15
2032634585	25.50
2032634685	43.65
2032634785	40.35
2032634885	16.65
2032634985	66.50
2032637085	85.65
2032637185	55.00
2032637285	15.00
2032637385	13.75
2032637485	65.80
2032637585	16.00
2032637685	20.00
2032637785	26.00
2032637885	36.00
2032637985	48.00



NOTES :

- MATERIALS:  
BASE METAL: HIGH CONDUCTIVE COPPER ALLOY  
PLATING ON BODY: 3.18 MICRON MIN SILVER OVER 1.27 MICRON MIN NICKEL
- PRODUCT SPECIFICATION: 2043130001-PS
- APPLICATION SPECIFICATION: 2043130001-AS
- PARTS TO BE PACKAGED AS PER PACKAGING SPECIFICATION: 2032630006-PK
- SILVER COMPONENTS WILL BE SUPPLIED TARNISH FREE BUT MAY TARNISH OVER TIME.
- PART TO BE MOUNTED WITH CONDUCTIVE M5 SCREW AND CONDUCTIVE BELLEVILLE WASHER FOR OPTIMAL PERFORMANCE
- SCREW LENGTH TO BE DETERMINED BY CUSTOMER, SCREWS AND WASHERS ARE NOT SUPPLIED BY MOLEX.

THIS DRAWING CONTAINS INFORMATION THAT IS PROPRIETARY TO MOLEX ELECTRONIC TECHNOLOGIES, LLC AND SHOULD NOT BE USED WITHOUT WRITTEN PERMISSION												
DIMENSION UNITS	SCALE	CURRENT REV DESC: UPDATED NOTES AND THREAD DIMENSION										
mm	5:1	<p style="text-align: center;"><b>molex</b></p> <p style="text-align: center;">SENTRALITY 8.00MM MALE TERMINAL SCREW MOUNT</p> <p style="text-align: center;">PRODUCT CUSTOMER DRAWING</p>										
GENERAL TOLERANCES (UNLESS SPECIFIED)												
ANGULAR TOL	± 0.5°											
4 PLACES	±											
3 PLACES	±											
2 PLACES	± 0.2											
1 PLACE	± 0.25	EC NO: 748054	2023/02/07			<p style="text-align: center;">DOCUMENT NUMBER</p> <p style="text-align: center;"><b>2032634185-SD</b></p>				DOC TYPE	DOC PART	REVISION
0 PLACES	±	DRWN: ABHIRK	2023/05/08							PSD	000	D5
DRAFT WHERE APPLICABLE MUST REMAIN WITHIN DIMENSIONS		APPR: HTHYAGARAJ	2023/05/22							GENERAL MARKET		
THIRD ANGLE PROJECTION		DRWN: JJONIAK	2018/10/10			MATERIAL NUMBER			CUSTOMER			
THIRD ANGLE PROJECTION		APPR: BPISZCZOR	2019/03/22			SEE TABLE			SHEET NUMBER			
THIRD ANGLE PROJECTION		DRAWING		SERIES	MATERIAL NUMBER		CUSTOMER		SHEET NUMBER			
THIRD ANGLE PROJECTION		D-SIZE		203263	SEE TABLE		GENERAL MARKET		1 OF 1			

RECOMMENDED PCB OR BUSBAR LAYOUT