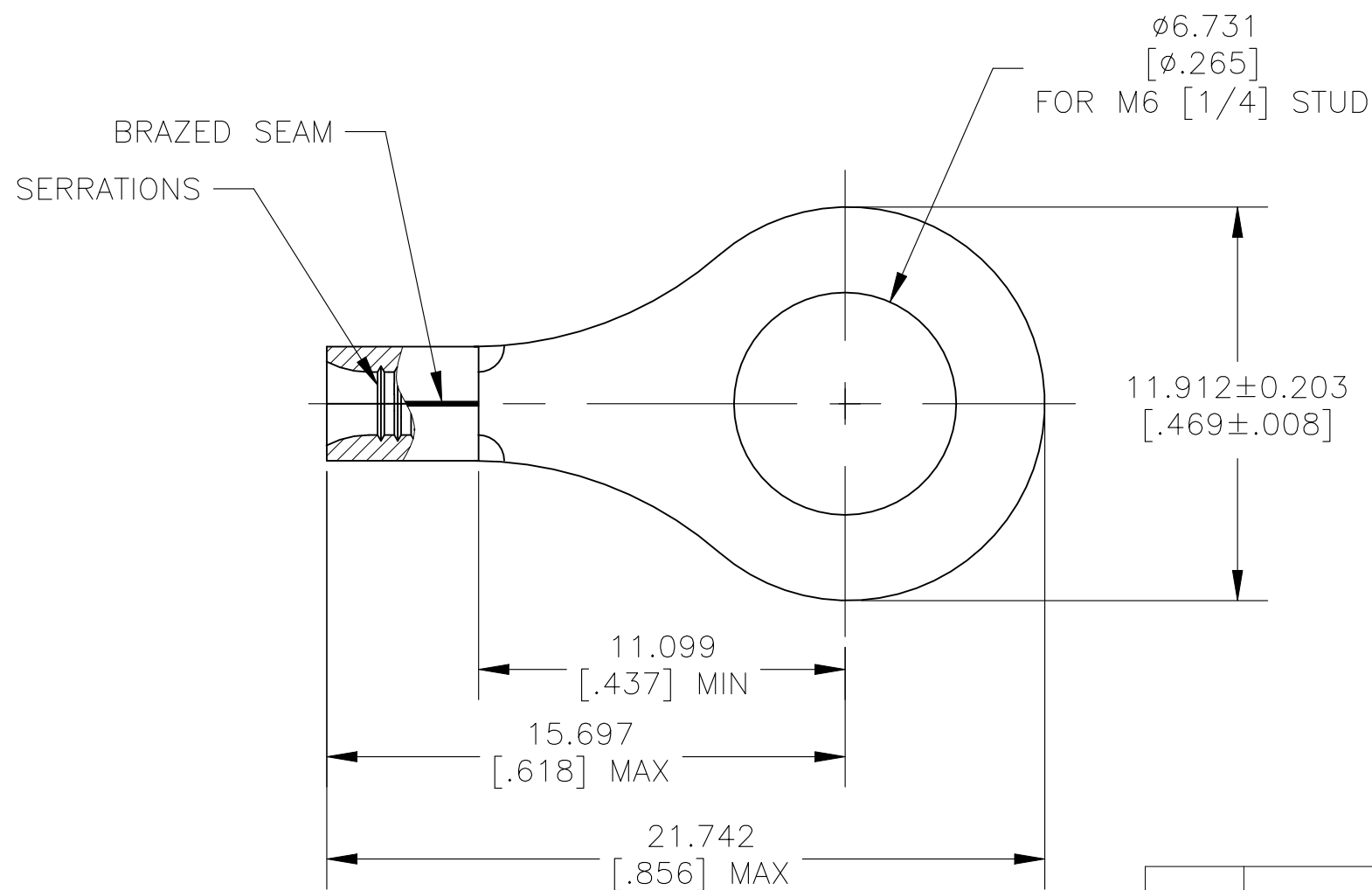


REVISIONS				
P	LTR	DESCRIPTION	DATE	APVD
	B	REVISED PER ECO-19-009164	23JUN2020	SJ DR

1. WIRE RANGE: 22-16 AWG. STANDARD WIRE CROSS SECTIONAL AREA RANGE: 509-3260 CIRCULAR MILS, STRANDED
 2. TERMINAL BODY MATERIAL THK IS 0.787±0.005[.031±.002]
 3. RECOMMENDED OPERATING TEMP -55°C(-67°F) TO +200°C(392°F) FOR HEAT SHRINK TUBING.
 4. HEAT SHRINK TUBING SHELF LIFE OF 18 MONTHS FROM DATE CODE ON LABEL.
- △ 5 TERMINAL BODY PRODUCT SPECIFICATION 108-32046. APPLICATION SPECIFICATION 114-2162.



1	1-1193336-2	HIGH AND LOW TEMPERATURE CROSS LINKED FLUOROPOLYMER HEAT SHRINK TUBING 4.78 [.187] MIN ID X 19.05±0.38 [.750±.015], RT-555-3/16-0-0.75
1	696949-1	TERMINAL BODY: COPPER PER ASTM B152 ANNEALED FINISH: NICKEL PLATE 0.00762 [.000300] MIN EXT THK PER SAE AMS QQ-N-290
-1	PART NO	DESCRIPTION

THIS DRAWING IS A CONTROLLED DOCUMENT.		DWN JR RUTH 27JUL07	STE TE Connectivity	
DIMENSIONS: MM [INCHES]		CHK MJ SPICER 27JUL07		
TOLERANCES UNLESS OTHERWISE SPECIFIED:		APVD MJ SPICER 27JUL07	NAME HEAT RESISTANT TERMINAL KIT WIRE SIZE: 22-16 AWG	
0 PLC ± -		PRODUCT SPEC	SIZE	
1 PLC ± -		△ 5	CAGE CODE	
2 PLC ± -		APPLICATION SPEC	DRAWING NO	
3 PLC ± 0.127 [.005]		△ 5	RESTRICTED TO	
4 PLC ± -		WEIGHT	A300779 C-1958124	
ANGLES ± 1°		MATERIAL SEE TABLE	SCALE 1:1	
FINISH SEE TABLE		SHEET 1 OF 1		REV B
CUSTOMER DRAWING				