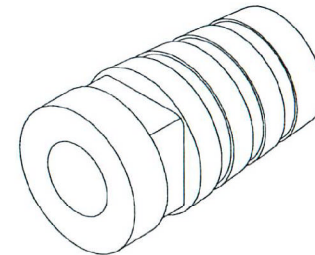
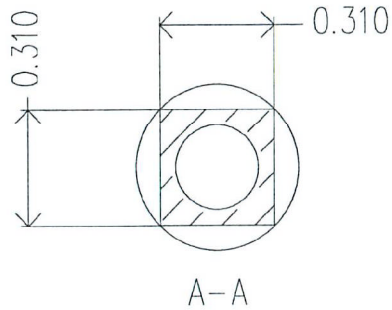
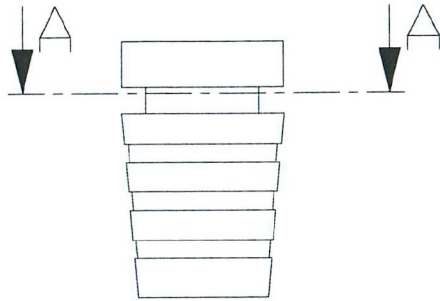
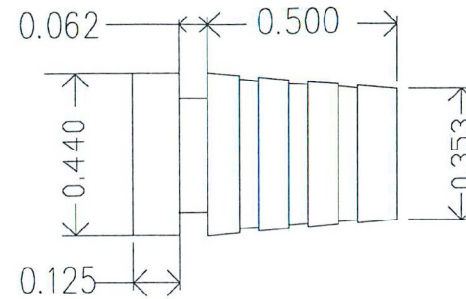
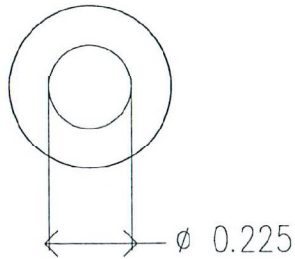


ZONE		REV.	REVISIONS	DATE	APPROVED
			DESCRIPTION		



MOLD MATERIAL: ISC P/N: 5000214, PVC, M1472, Blk, RoHS

**ISC ENGINEERING**  
**CONTROLLED COPY**  
 Rich Fierro 09/06/2016

Dimensions are subject to change.  
 PROPRIETARY AND CONFIDENTIAL

THE INFORMATION CONTAINED IN THIS DRAWING IS THE SOLE PROPERTY OF ISC ENGINEERING. ANY REPRODUCTION IN PART OR AS A WHOLE WITHOUT THE WRITTEN PERMISSION OF ISC ENGINEERING IS PROHIBITED.

		DIMENSIONS ARE IN INCHES		NAME	DATE	ISC Engineering 4351 Schaefer Ave, Chino, CA 91710 Ph: 909-596-3315 Fax: 909-596-3335 www.iscengineering.com www.overmoldtooling.com
		TOLERANCES:		DRAWN	R FIERRO 11/07/06	
		FRACTIONAL ±		CHECKED		
		ANGULAR: MACH ± BEND ±		ENG APPR.		
		TWO PLACE DECIMAL ±		MFG APPR.		
		THREE PLACE DECIMAL ±		Q.A.		
		MATERIAL ---		COMMENTS:		1461040-225-B-310X310-440-0
NEXT ASSY	USED ON	FINISH ---				SCALE: 2:1 WEIGHT: SHEET 1 OF 1
APPLICATION	DO NOT SCALE DRAWING					SIZE DWG. NO. REV.
						A 1467067