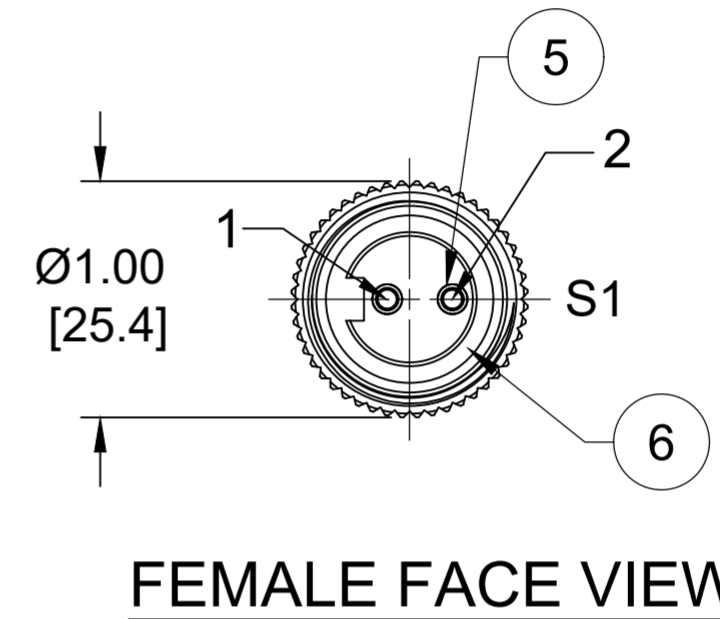
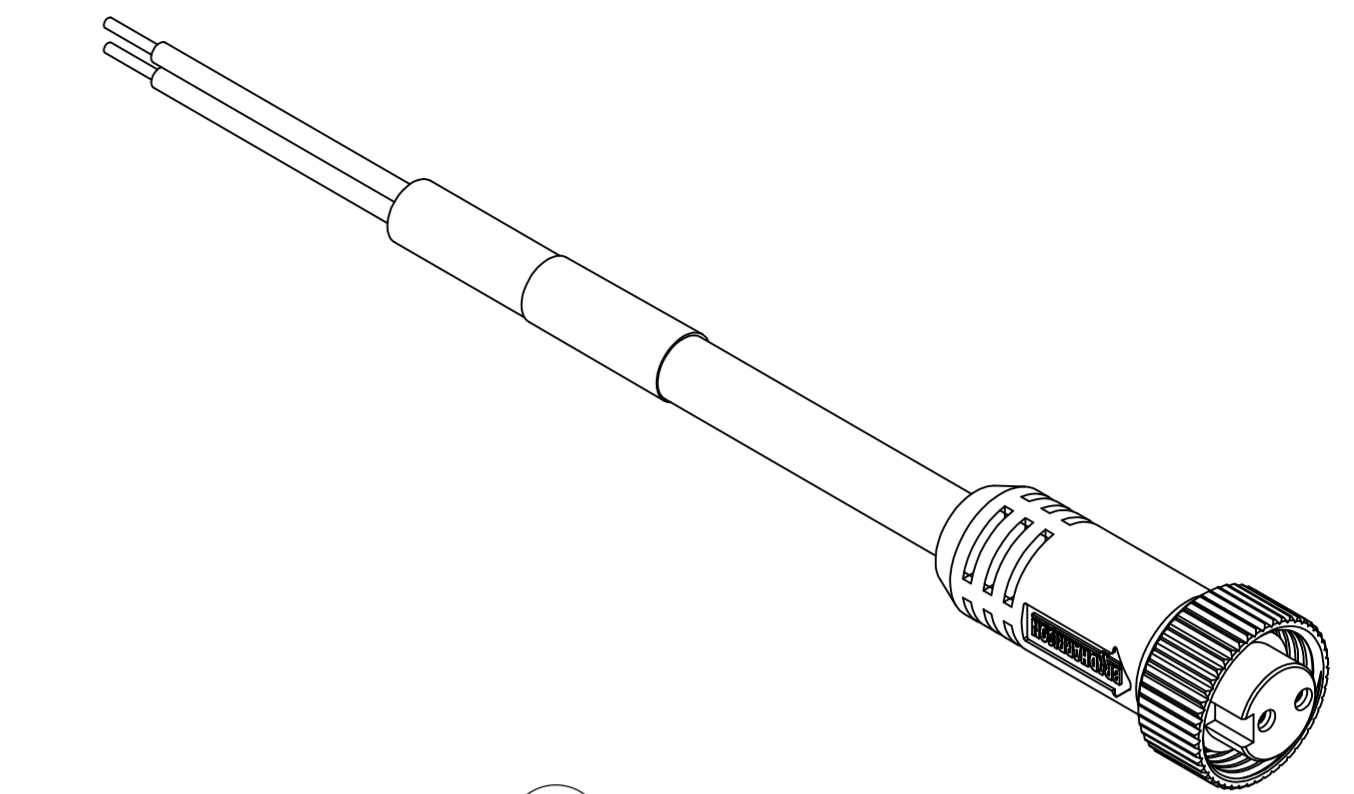
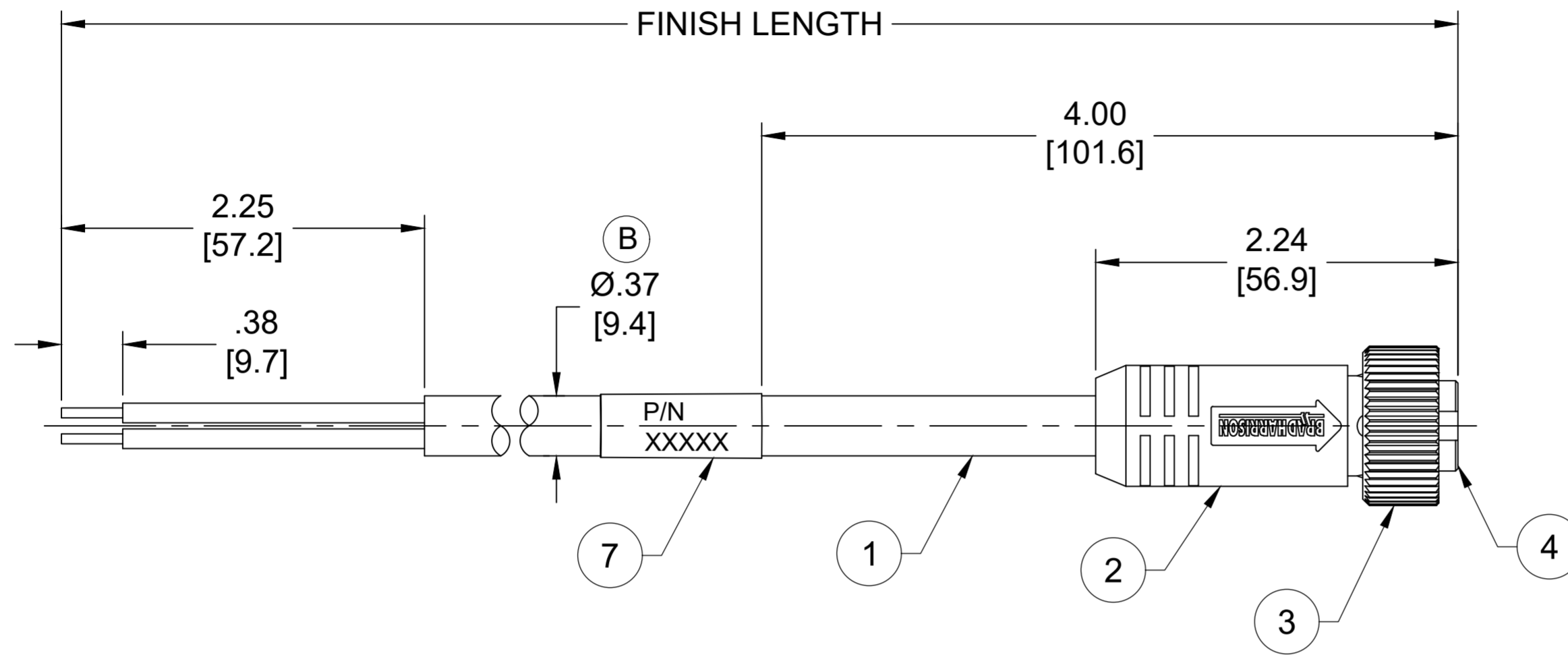
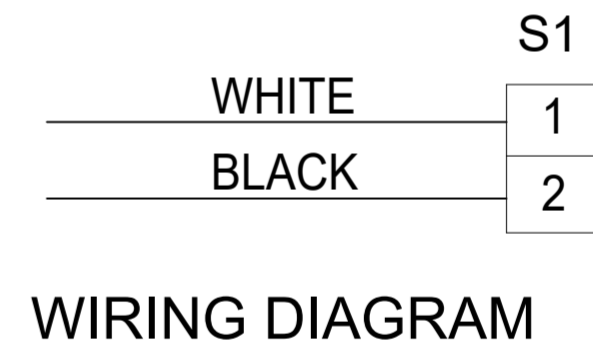


PART NO.	ENGINEERING NO.	FINISHED LENGTH
1300060088	102000A01F030	3FT [0.9M]
1300060105	102000A01F250	25FT [7.6M]
1300060112	102000A01F500	50FT [15.2M]



NOTES:

- MATERIAL: AS NOTED
- FINISH: AS NOTED
- ELECTRICAL:
VOLTAGE : 600V PER UL2238
500V PER IEC60664
CURRENT: 13A
- TEMP RATING: -20° TO +105°C
- PROTECTION: IP67 (WHEN MATED)
- COUPLING THREAD: 7/8"-16UN
- UL RECOGNIZED FILE: E152210
CSA CERTIFIED FILE: LR6837
- ALL DIMENSIONS ARE FOR REFERENCE UNLESS TOLERANCED OR NOTED OTHERWISE



PART NUMBER LEGEND

102000A01F030

CABLE LENGTH
F010 = 1 FEET
F010 = 10 FEET
F100 = 100 FEET

CABLE LENGTH TOLERANCES

<.3M [1FT]	: +19mm-0 [+.75in-0]
.3 - .9M [1 - 3FT]	: +44.5mm-0 [+1.75in-0]
.9 - 1.8M [3 - 6FT]	: +55.6mm-0 [+2.19in-0]
1.8 - 3.7M [6 - 12FT]	: +88.9mm-0 [+3.50in-0]
3.7 - 7.3M [12 - 24FT]	: +165.1mm-0 [+6.50in-0]
7.3-14.6M [24 - 48FT]	: +317.5mm-0 [+12.50in-0]
14.6 - 30.5M [48-100FT]	: +622.3mm-0 [+24.50in-0]
OVER 30M [100FT]	: +2% OF FINISHED LENGTH

ITEM	COMPONENT	MATERIAL	FINISH
7	WRAP LABEL	VINYL	BLACK/YELLOW
6	FRICTION RING	NYLON	WHITE
5	CONTACT SOCKET	COPPER ALLOY	GOLD OVER NICKEL
4	INSERT	TPE	YELLOW
3	COUPLING NUT	ZINC DIE CAST	BLACK-E-COAT
2	OVERMOLD	TPE	YELLOW
1	CABLE, 16 AWG, STOOV/ST	PVC	YELLOW

FUNCTIONAL SYMBOLS FA=0 FC=0 FP=0	THIS DRAWING CONTAINS INFORMATION THAT IS PROPRIETARY TO MOLEX ELECTRONIC TECHNOLOGIES, LLC AND SHOULD NOT BE USED WITHOUT WRITTEN PERMISSION		CURRENT REV DESC: ITEM# 2 & 4 WERE PVC. ITEM #7 WAS PLASTIC FILM. ADDED FRICTION RING, IEC VOLTAGE, PN LEGEND, CABLE DIA & TOL CHART. MODIFIED PN CHART	
	DIMENSION UNITS INCH/MM	SCALE NTS	EC NO: 702709	
GENERAL TOLERANCES (UNLESS SPECIFIED)		DRWN: ABENJAMINLW 2021/05/11		
mm INCH		CHK'D: RSTONE 2022/04/11		
4 PLACES ±--- ±---		APPR: BWOODMAN 2022/04/16		
3 PLACES ±--- ±---		INITIAL REVISION:		
2 PLACES ±--- ±---		DRWN: TWOLDEGE 2009/07/09		
1 PLACE ±--- ±---		APPR: JFMURPHY 2009/08/10		
0 PLACES ±--- ±---		ANGULAR TOL ± --- °		
DRAFT WHERE APPLICABLE MUST REMAIN WITHIN DIMENSIONS		THIRD ANGLE PROJECTION	DRAWING C-SIZE	
		SERIES 130006	MATERIAL NUMBER SEE CHART	
		CUSTOMER GENERAL MARKET	SHEET NUMBER 1 OF 1	
DOCUMENT STATUS P1		RELEASE DATE 2022/04/16 16:04:49	DOCUMENT NUMBER SD-130006-007	
			DOC TYPE/DOC PART/REVISION PSD 001 B	