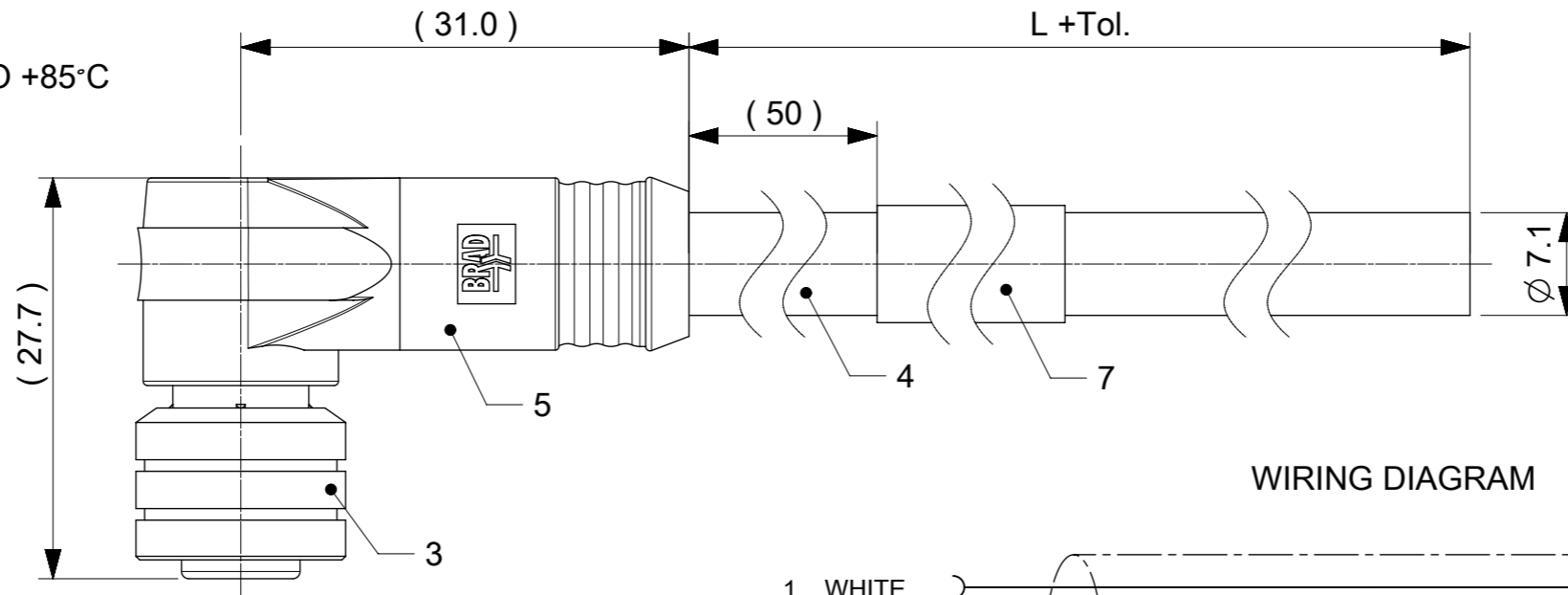
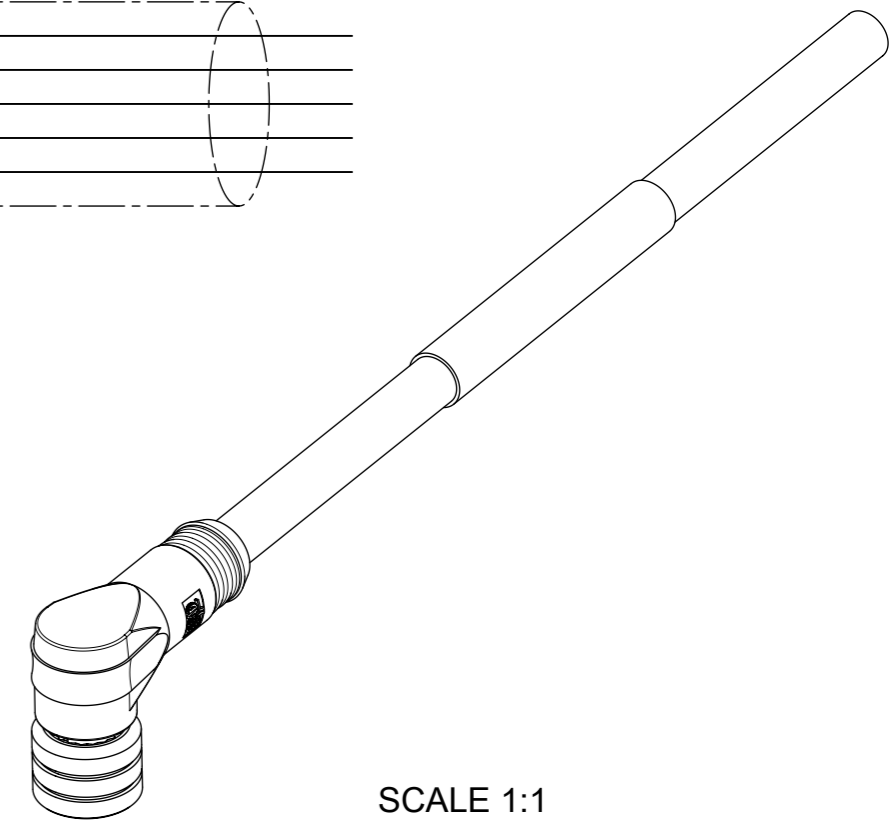
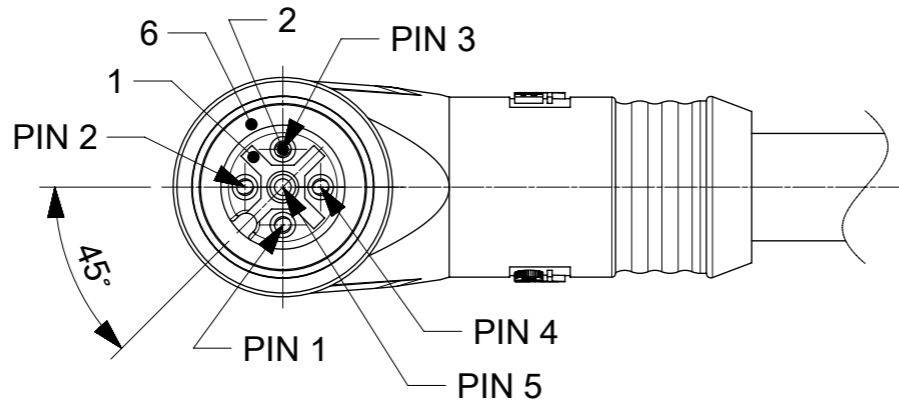
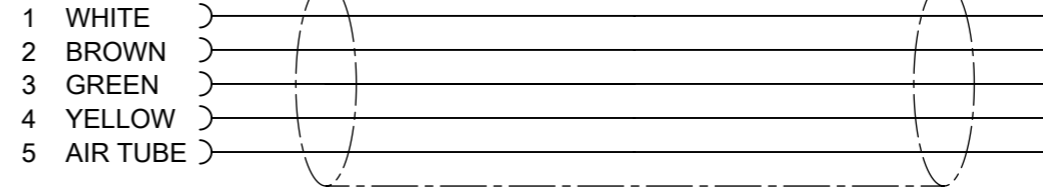


CONNECTOR SPECIFICATION

RATED VOLTAGE: 250 V AC/DC
 RATED CURRENT: 4 A
 PROTECTION: IP67
 OPERATING TEMPERATURE: -25°C TO +85°C



WIRING DIAGRAM



SCALE 1:1

TABLE 1

POS	QTY	DESCRIPTION	MATERIAL	FINISH
1	1	INSERT M12 FE 5P BK	ELASTOLLAN	-
2	4	CONTACT 10 FE	COPPER ALLOY	SELECTIVE GOLD OVER NICKEL
3	1	NUT M12 FE	BRASS	NICKEL PLATED
4	-	CABLE	SEE SHEET 2	-
5	-	OVERMOULDING MATERIAL BK	TPU	-
6	1	GASKET OR RD	FPM	-
7	1	LABEL	VINYL	-

THIS DRAWING CONTAINS INFORMATION THAT IS PROPRIETARY TO MOLEX ELECTRONIC TECHNOLOGIES, LLC AND SHOULD NOT BE USED WITHOUT WRITTEN PERMISSION											
QUALITY SYMBOLS FA = 0 FE = 0 FP = 0 FV = 0 FC = 0 FX = 0 FS = 0 FT = 0	EC NO: 106989 DRWN: FGAIK CHK'D: APPR: RSILLER	2016/07/12 2016/07/29	GENERAL TOLERANCES (UNLESS SPECIFIED)		DIMENSION UNITS	SCALE	 CSE M12 5P AC FE RA XM SE UNSH BK				
			ANGULAR TOL ± 1.0 °		MM	2:1					
			4 PLACES ±	3 PLACES ±	FGAIK	2016/07/12					
			2 PLACES ± 0.05	1 PLACE ± 0.3	CHK'D BY	DATE					
0 PLACES ± 0.5		RSILLER	2016/07/29	PRODUCT CUSTOMER DRAWING							
DRAFT WHERE APPLICABLE MUST REMAIN WITHIN DIMENSIONS		DRAWING SIZE	THIRD ANGLE PROJECTION	SERIES	MATERIAL NUMBER	CUSTOMER					
		A3		120065	SEE SHEET 2	GENERAL MARKET					
		REV		DOCUMENT NUMBER	DOC TYPE	DOC PART	SHEET NUMBER				
		A		1200659886	PSD	000	1 OF 2				

ENGINEERING NO. - NUMERICAL CODE (Available parts see PART LIST table. Others on request).

OPTIONS

805001 XXXMXXX X

80=M12x1
Single ended

Poles:
5=5 Poles

Heads style:
001=Plug Female
90° Angled

Cable type: See Table 3

Units:
M=Meter

Length
Examples:
005=0.5 units
010=1 units
100=10 units

Overmold color:
Blank (Standard)=Black
H= 2 pcs. of I/D Carrier PVC Transparent



TABLE 2

MOLEX PN	ENGINEERING NO.	L [mm]	Tol. [mm]
1200659886	805001EP2M006	600	+40
1200659887	805001EP2M010	1000	+40
1200659888	805001EP2M015	1500	+60
1200659889	805001EP2M020	2000	+60
1200659890	805001EP2M025	2500	+60
1200659891	805001EP2M030	3000	+60
1200659892	805001EP2M040	4000	+60
1200659893	805001EP2M050	5000	+60
1200659894	805001EP2M075	7500	+80
1200659895	805001EP2M100	10000	+80
1200659896	805001EP2M120	12000	+140
1200659897	805001EP2M150	15000	+140
1200659898	805001PP2M006	600	+40
1200659899	805001PP2M010	1000	+40
1200659900	805001PP2M015	1500	+60
1200659901	805001PP2M020	2000	+60
1200659902	805001PP2M025	2500	+60
1200659903	805001PP2M030	3000	+60
1200659904	805001PP2M040	4000	+60
1200659905	805001PP2M050	5000	+60
1200659906	805001PP2M075	7500	+80
1200659907	805001PP2M100	10000	+80
1200659908	805001PP2M120	12000	+140
1200659909	805001PP2M150	15000	+140

TABLE 3

CABLE TYPE	NO. OF WIRES	CROSS SECTION	CABLE JACKET	UL	TEMPERATURE RANGE		SHIELD
					STATIC	FLEX	
EP2	4+air tube	0.25mm ²	PVC BLACK	UL 1731/2517	-25°C to +105°C	-5°C to +105°C	YES
PP2	4+air tube	0.25mm ²	PUR BLACK	UL 1729/20233	-40°C to +80°C	-25°C to +80°C	YES

QUALITY SYMBOLS FA = 0 FE = 0 FP = 0 ▼ = 0 C = 0 ⊗ = 0 ■ = 0 ∇ = 0	THIS DRAWING CONTAINS INFORMATION THAT IS PROPRIETARY TO MOLEX ELECTRONIC TECHNOLOGIES, LLC AND SHOULD NOT BE USED WITHOUT WRITTEN PERMISSION									
	EC NO: 106989 DRWN: FGAIK CHK'D: REV APPR: RSILLER	2016/07/12 2016/07/29	GENERAL TOLERANCES (UNLESS SPECIFIED)		DIMENSION UNITS	SCALE				
			ANGULAR TOL ± 1.0 °		MM	1:1				
			4 PLACES ±		DRWN BY		DATE		CSE M12 5P AC FE RA XM SE UNSH BK	
3 PLACES ±		FGAIK		2016/07/12		PRODUCT CUSTOMER DRAWING				
2 PLACES ± 0.05		CHK'D BY		DATE		SERIES MATERIAL NUMBER CUSTOMER				
1 PLACE ± 0.3		RSILLER		2016/07/29		120065 SEE TABLE 2 GENERAL MARKET				
0 PLACES ± 0.5		DRAFT WHERE APPLICABLE MUST REMAIN WITHIN DIMENSIONS		DRAWING SIZE	THIRD ANGLE PROJECTION	DOCUMENT NUMBER DOC TYPE DOC PART SHEET NUMBER				
		A		A3		1200659886 PSD 000 2 OF 2				