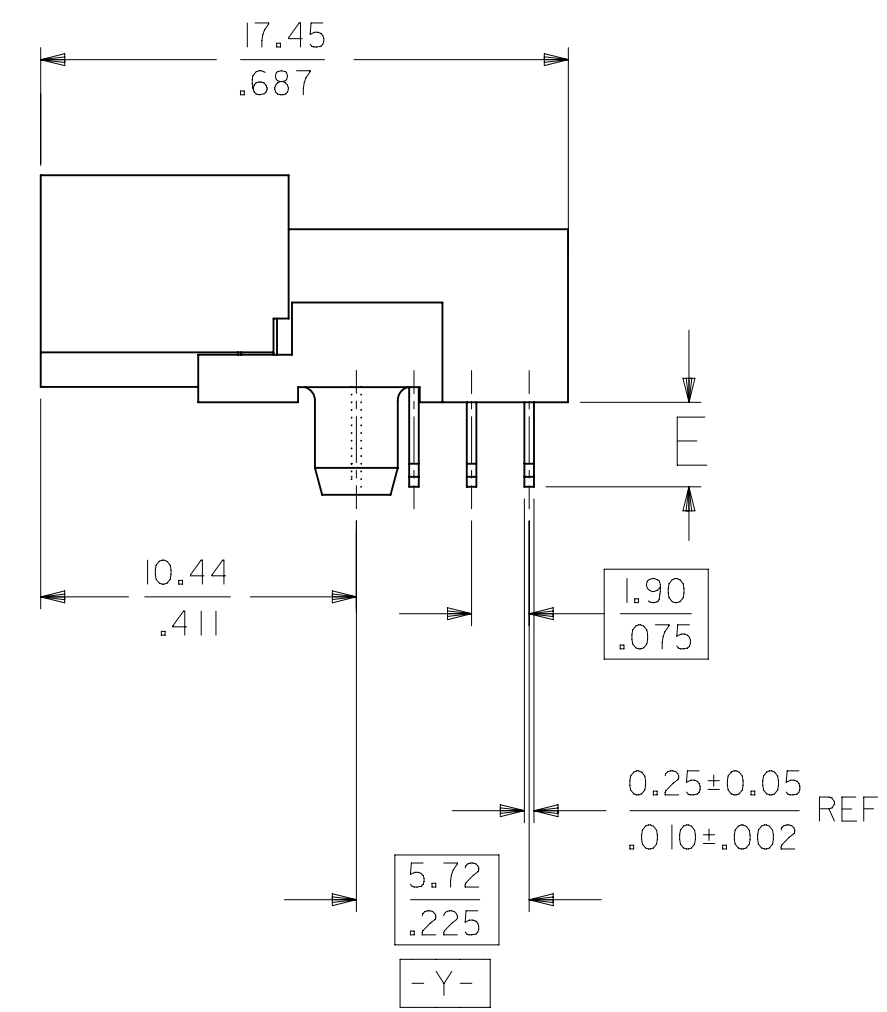
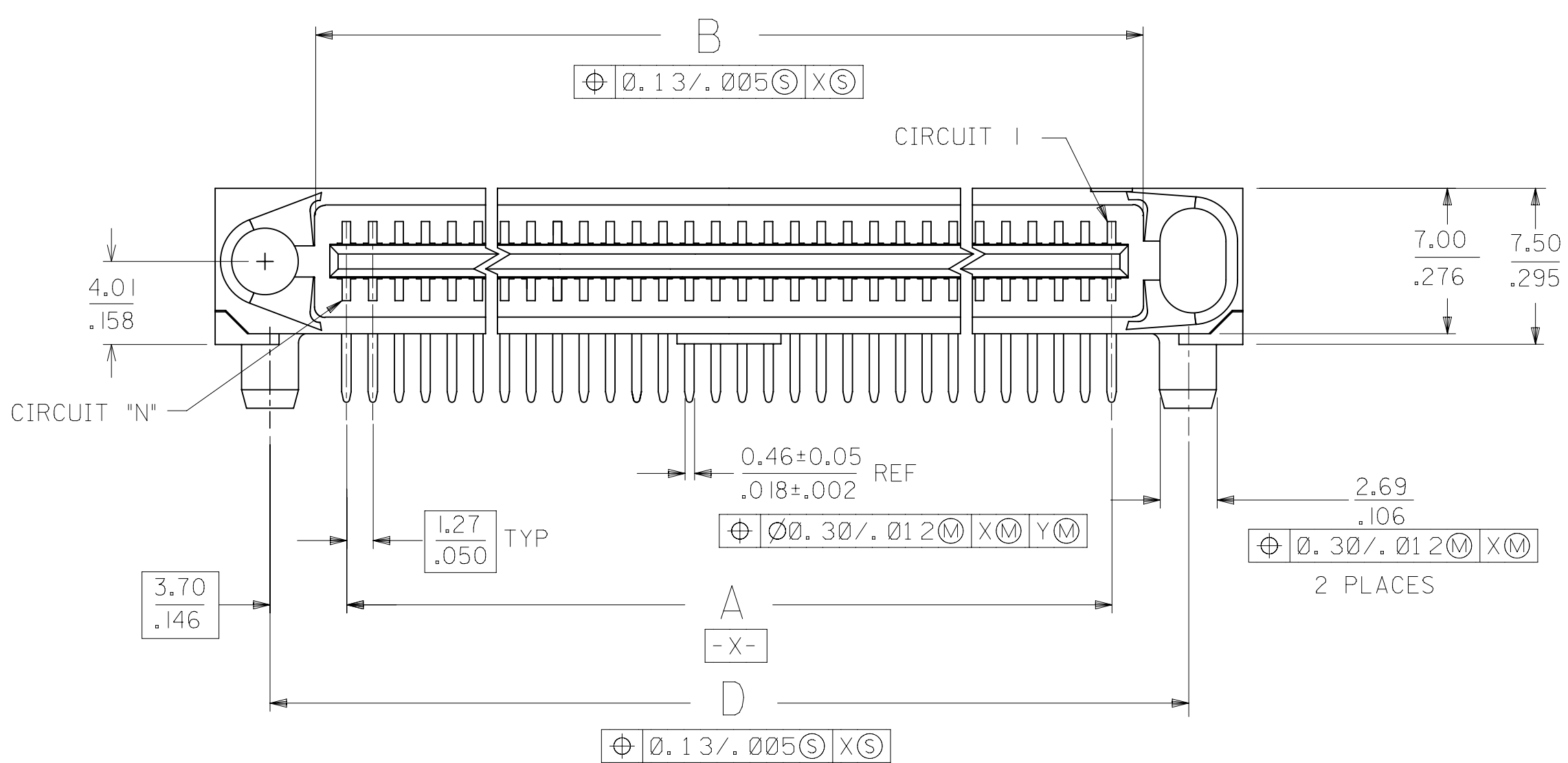
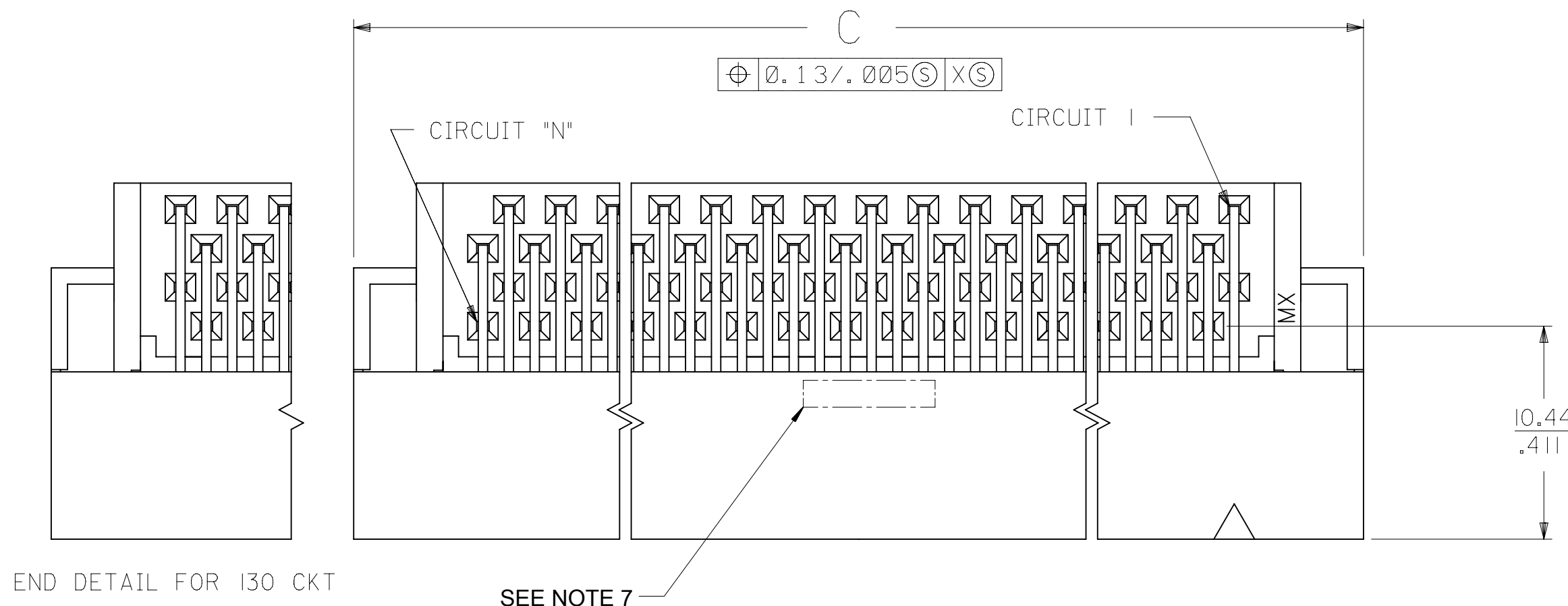
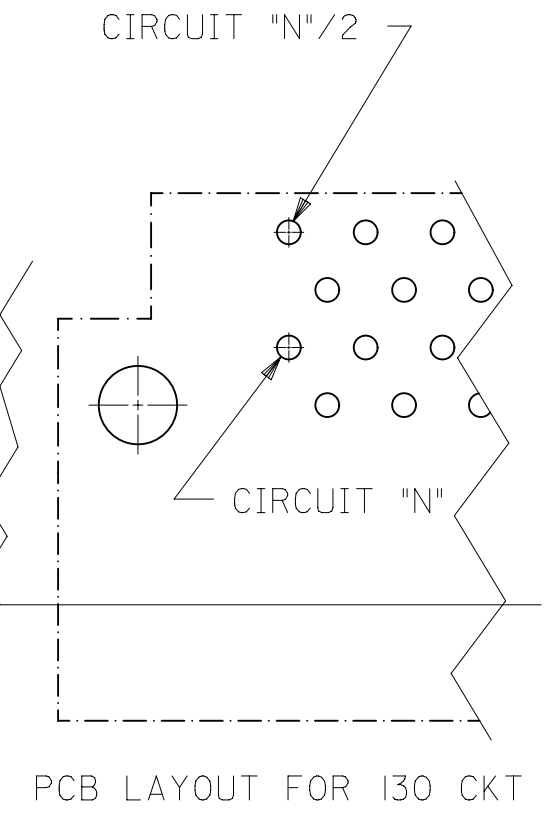
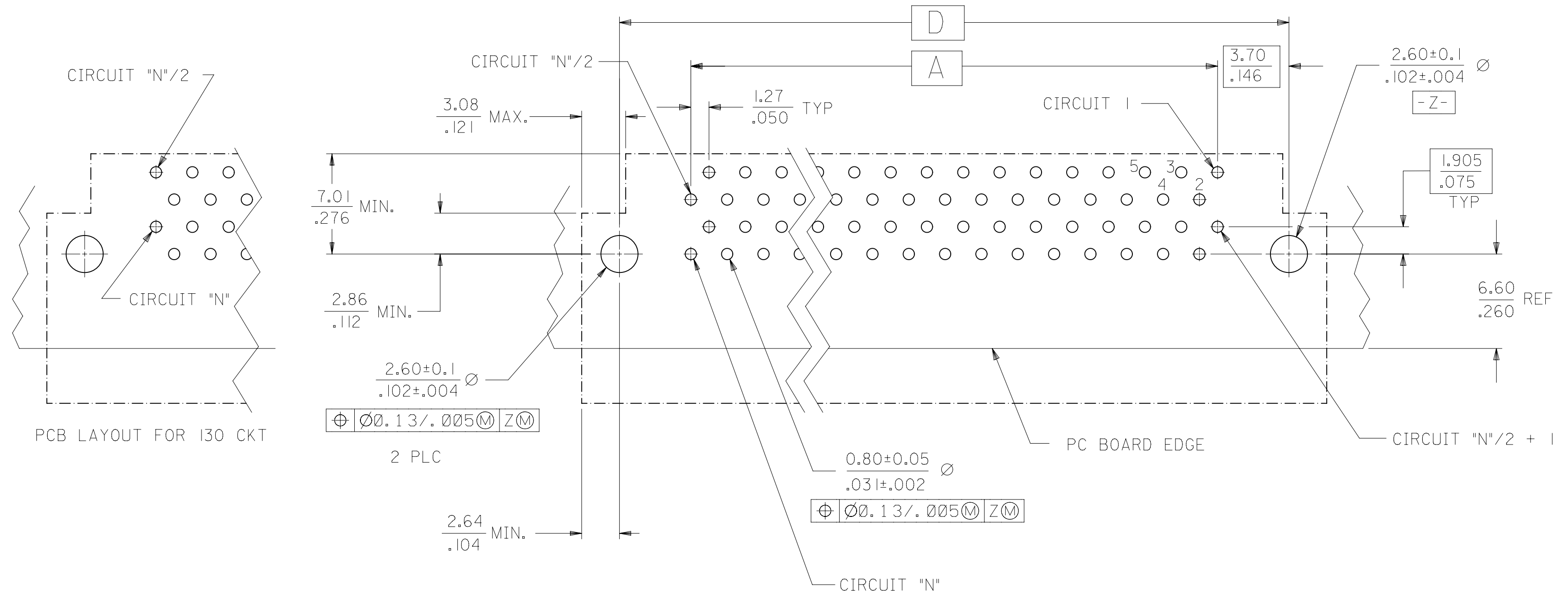


NOTES:

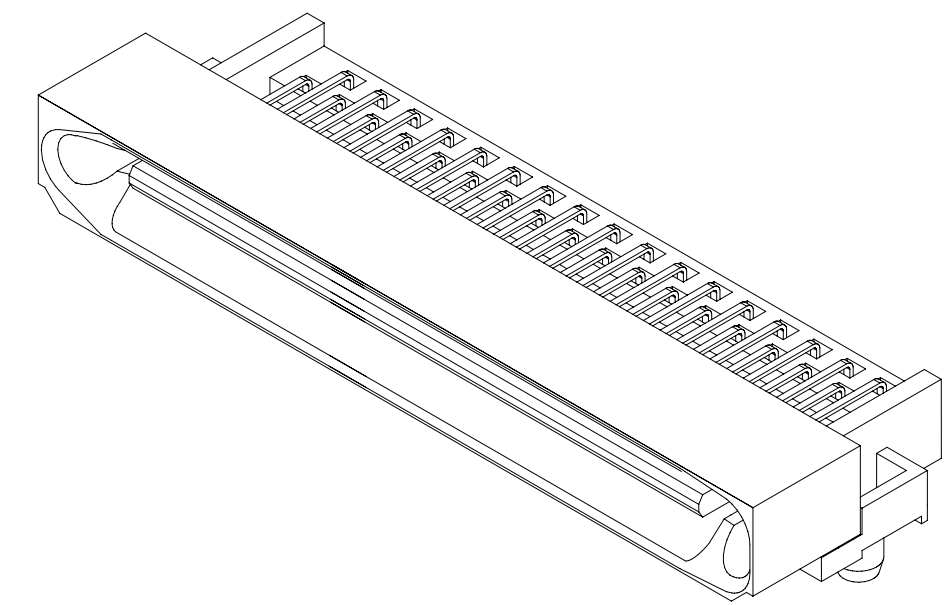
1. MATERIAL:
HOUSING: LIQUID CRYSTAL POLYMER (LCP), GLASS-FILLED, UL94V-0,
COLOR: BLACK
TERMINALS: BRASS
2. FINISH:
TERMINAL: 0.76 MICROMETERS/30 MICROINCHES MINIMUM SELECTIVE GOLD
IN CONTACT AREA; 1.27 MICROMETERS/50 MICROINCHES MINIMUM
SELECTIVE TIN IN THE PC TAIL AREA; NICKEL UNDERPLATE OVERALL.
3. CONFORMS TO PRODUCT SPEC: PS-71660
4. PRODUCT PACKAGED PER PK-70873-084*
5. ASSEMBLY MATES WITH MOLEX P/N SDA-71660-7***
6. RECOMMENDED PC BOARD THICKNESS IS 1.6 MM/.062 IN
7. FOUR DIGIT DATE CODE (WK.YR.) EXAMPLE 26 96 LOCATED IN AREA SHOWN



THIS DRAWING CONTAINS INFORMATION THAT IS PROPRIETARY TO MOLEX ELECTRONIC TECHNOLOGIES, LLC AND SHOULD NOT BE USED WITHOUT WRITTEN PERMISSION																																		
DIMENSION UNITS		SCALE		CURRENT REV DESC: OBSOLETE PART NO																														
MM/IN		4:1		<table border="0"> <tr> <td colspan="2">molex</td> </tr> <tr> <td colspan="2">SALES ASSMBLY</td> </tr> <tr> <td colspan="2">EBBI 50D RIGHT ANGLE BLIND MATE PLUG</td> </tr> <tr> <td colspan="2">PRODUCT CUSTOMER DRAWING</td> </tr> <tr> <td>DOCUMENT NUMBER</td> <td>DOC TYPE</td> <td>DOC PART</td> <td>REVISION</td> </tr> <tr> <td colspan="2">SDA-71661-25XX</td> <td>PSD</td> <td>001</td> <td>M</td> </tr> <tr> <td>MATERIAL NUMBER</td> <td>CUSTOMER</td> <td colspan="2">SHEET NUMBER</td> </tr> <tr> <td>SEE TABLE</td> <td>GENERAL MARKET</td> <td colspan="2">1 OF 2</td> </tr> </table>						molex		SALES ASSMBLY		EBBI 50D RIGHT ANGLE BLIND MATE PLUG		PRODUCT CUSTOMER DRAWING		DOCUMENT NUMBER	DOC TYPE	DOC PART	REVISION	SDA-71661-25XX		PSD	001	M	MATERIAL NUMBER	CUSTOMER	SHEET NUMBER		SEE TABLE	GENERAL MARKET	1 OF 2	
molex																																		
SALES ASSMBLY																																		
EBBI 50D RIGHT ANGLE BLIND MATE PLUG																																		
PRODUCT CUSTOMER DRAWING																																		
DOCUMENT NUMBER	DOC TYPE	DOC PART	REVISION																															
SDA-71661-25XX		PSD	001	M																														
MATERIAL NUMBER	CUSTOMER	SHEET NUMBER																																
SEE TABLE	GENERAL MARKET	1 OF 2																																
GENERAL TOLERANCES (UNLESS SPECIFIED)				EC NO: 625872																														
4 PLACES		±	±	DRWN: AKUMAR19		2019/06/17																												
3 PLACES		±	± 0.01	CHK'D: GB		2019/11/06																												
2 PLACES		± 0.25	±	APPR: GGA		2019/11/12																												
1 PLACE		±	±	INITIAL REVISION:																														
0 PLACES		±	±	DRWN: RAN		1995/04/26																												
ANGULAR TOL		± 0.5°		APPR: CAB		1995/04/26																												
DRAFT WHERE APPLICABLE MUST REMAIN WITHIN DIMENSIONS				THIRD ANGLE PROJECTION		DRAWING		SERIES																										
						C-SIZE		71661																										



RECOMMENDED PC BOARD LAYOUT
 COMPONENT SIDE
 SEE NOTE 6



68 CIRCUIT ASSEMBLY SHOWN
 SCALE 2:1

3.491 (88.67)	3.699 (93.95)	3.320 (84.33)	3.200 (81.28)	.110 (2.79)	130	71661-2513
2.741 (69.63)	2.949 (74.90)	2.570 (65.28)	2.450 (62.23)	.110 (2.79)	100	71661-2511
1.941 (49.31)	2.149 (54.58)	1.770 (44.96)	1.650 (41.91)	.110 (2.79)	68	71661-2568
1.941 (49.31)	2.149 (54.58)	1.770 (44.96)	1.650 (41.91)	.125 (3.18)	68	71661-2518
1.241 (31.53)	1.449 (36.80)	1.070 (27.18)	.950 (24.13)	.110 (2.79)	40	71661-2540
D	C	B	A	E	CKT ("N")	ITEM NUMBER

THIS DRAWING CONTAINS INFORMATION THAT IS PROPRIETARY TO MOLEX ELECTRONIC TECHNOLOGIES, LLC AND SHOULD NOT BE USED WITHOUT WRITTEN PERMISSION													
DIMENSION UNITS		SCALE		CURRENT REV DESC: OBSOLETE PART NO									
MM/IN		4:1		<p>SALES ASSMBLY EBBI 50D RIGHT ANGLE BLIND MATE PLUG</p> <p>PRODUCT CUSTOMER DRAWING</p> <p>DOCUMENT NUMBER: SDA-71661-25XX DOC TYPE: PSD DOC PART: 001 REVISION: M</p> <p>MATERIAL NUMBER: SEE TABLE CUSTOMER: GENERAL MARKET SHEET NUMBER: 2 OF 2</p>									
GENERAL TOLERANCES (UNLESS SPECIFIED)										EC NO: 625872		2019/06/17	
4 PLACES		± .125								DRWN: AKUMAR19		2019/11/06	
3 PLACES		± .125								CHK'D: GB		2019/11/12	
2 PLACES		± .125								APPR: GGA		2019/11/12	
1 PLACE		± .125		INITIAL REVISION:				1995/04/26					
0 PLACES		± .125		DRWN: RAN		1995/04/26		APPR: CAB					
ANGULAR TOL ± 0.5°				THIRD ANGLE PROJECTION		DRAWING		SERIES					
DRAFT WHERE APPLICABLE MUST REMAIN WITHIN DIMENSIONS				C-SIZE		71661							