

TABLE OF CONTENTS	
SHEET NO.	SHEET DESCRIPTION
1	NOTES AND BOM
2	CONFIGURATIONS
3-4	KEY CONFIGURATIONS
5	RECEPTACLE CONNECTOR ASSEMBLY
6	BACKSHELL NOTES
7	BACKSHELL
8	BACKSHELL CONFIGURATIONS

NOTES: VALID UNLESS OTHERWISE SPECIFIED

1. GENERAL:
- a. APPLICATION SPECIFICATION SEE: AS-33472-100
- CONTAINS: PRODUCT INTRODUCTION, PRODUCT SUMMARY, CONNECTOR ASSEMBLY, PACKAGING INFORMATION, CONNECTOR MATING, SERVICE INSTRUCTIONS, ELECTRICAL CONTINUITY CHECKING, CRIMPING, AND TROUBLESHOOTING.
 - DESIGNED TO MATE WITH DEVICE OR CONNECTOR AS SPECIFIED IN THE MATING INTERFACE/CONNECTOR DRAWINGS CHART.
 - *DENOTES DRAWINGS THAT CAN BE ACCESSED AT <<http://ewcap.uscarteams.org/>>.
 - ASSEMBLY SHIPPED WITH PLR IN PRE-LOCK POSITION (SEE PLR PRE-LOCK VIEW SHEET 5).

- b. PRODUCT SPECIFICATION SEE:
- STANDARD CONFIGURATION: PS-33471-000
 - UL V0 CONFIGURATION: PS-160105-0001
 - CONTAINS: PRODUCT INTRODUCTION, PRODUCT SUMMARY, RATINGS (CURRENT, TEMPERATURE, SEALING, AND FLAMMABILITY), TERMINALS, WIRE DIAMETER RANGE, PRODUCT VALIDATION, AND PRODUCT DEVIATIONS.

c. PACKAGING SPECIFICATION PER MOLEX DRAWING: SEE PACKAGING CHART

d. PARTS MUST BE IN COMPLIANCE TO MOLEX CHEMICAL SUBSTANCES FOR PRODUCTS AND PACKAGING SPECIFICATION: QEHS-699000-301

e. DATA MUST BE SUBMITTED UNDER THE MOLEX PART NUMBER TO IMDS (COMPANY ID#13255)

2. DESIGN - MATERIALS:

- a. FOR BILL OF MATERIALS SEE:
- STANDARD CONFIGURATION SD-33471-0002
 - UL V0 CONFIGURATION SD-160105-0002

3. DESIGN - GEOMETRY:

a. THE 3-D CAD DATA IS BASIC (WITHOUT TOLERANCE) AND MASTER FOR THIS PART WITH THE EXCEPTION OF UNDERLINED DIMENSIONS. DIMENSIONAL INFORMATION NOT SHOWN ON THIS DRAWING IS DEFINED BY THE DATA FILE AT ITS LATEST REVISION.

b. GEOMETRIC DIMENSIONS AND TOLERANCES PER ASME Y14.5M-2009

c. EDGES AND UNDIMENSIONED DETAILS PER ISO13715

d. CORNERS SHOWN AS SHARP TO BE R 0.2 MAX.

e. LETTERING SHALL BE 0.15 MAX RAISED IN 0.25 MAX RECESS PAD. THIS INCLUDES RECYCLING CODE, CAVITY ID, VENDOR IDENTIFICATION, AND CUSTOMER MATERIAL NUMBER.

f. VISUAL DEFECTS SHALL MEET COSMETIC STANDARD PS-45499-002 (Class B).

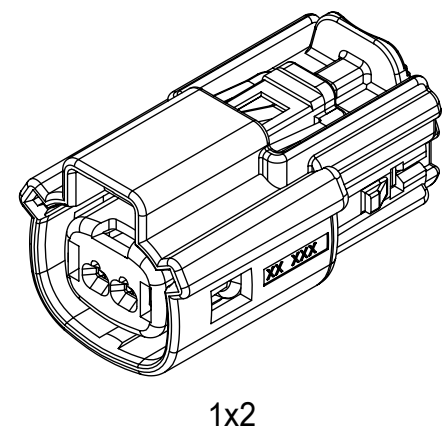
g. LASER MARKING:

- PART NUMBER
- DAY OF THE YEAR
- SHIFT
- YEAR

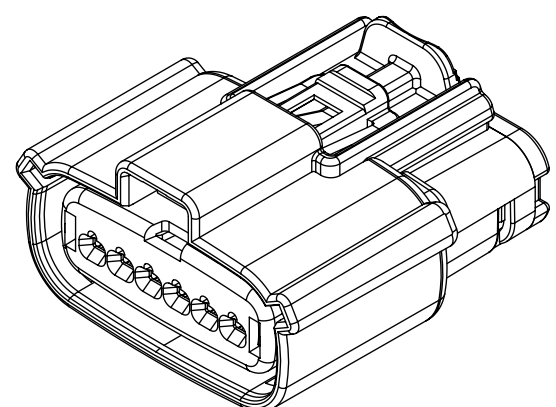
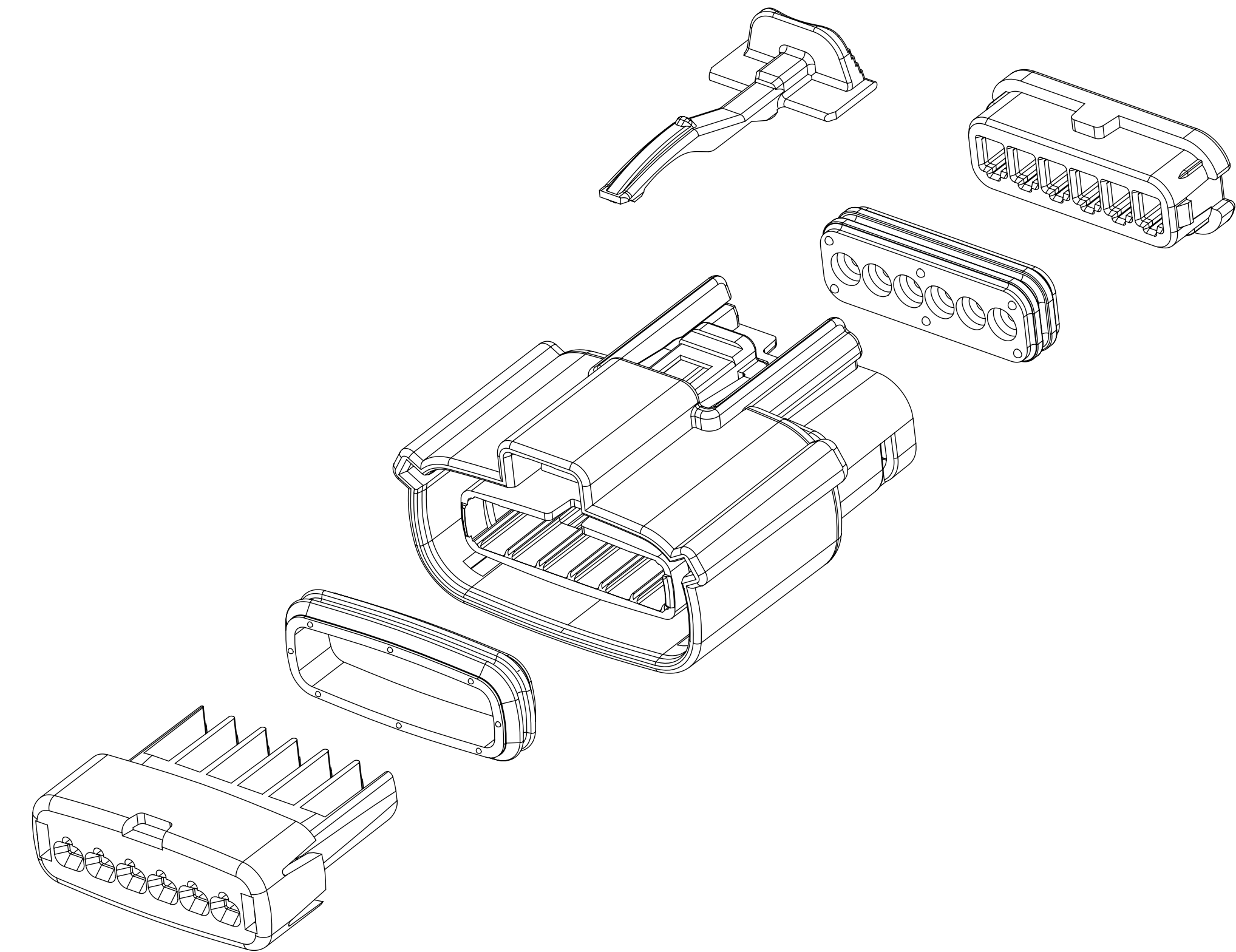
FOR ADDITIONAL INFORMATION SEE SECTION 5 UNDER PROCEDURES IN ES-34735-008.

PACKAGING	
DESCRIPTION	DRAWING NO.
1X2	PK-31300-635
1X6	PK-31300-903

MATING INTERFACE/CONNECTOR DRAWINGS		
DESCRIPTION	INTERFACE DEFINITION	MOLEX INLINE
1X2	*150-S-002-1-Z05	SD-33481-0001
1X6	*150-S-006-1-Z03	SD-33481-0001



1x2



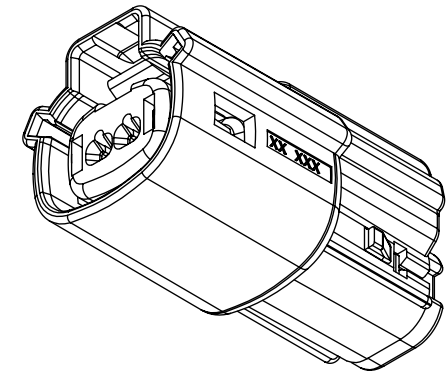
1x6

INSPECTION NUMBER LOG	
LAST NUMBER: 11	ADDED: 11
REMOVED:	REV
A1	UPDATED THE DRAWING FRAME
A	MINOR GEOMETRY CHANGE FOR UL V0
2	UPDATE VIEWSETS
1	INITIAL RELEASE
REV	REV DESCRIPTION

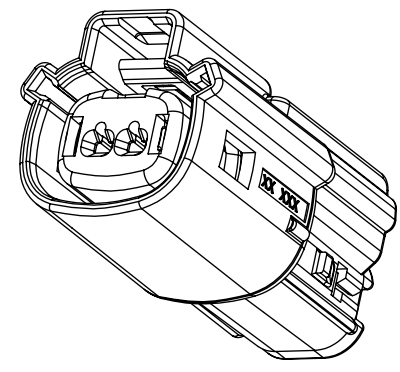
FUNCTIONAL SYMBOLS	THIS DRAWING CONTAINS INFORMATION THAT IS PROPRIETARY TO MOLEX ELECTRONIC TECHNOLOGIES, LLC AND SHOULD NOT BE USED WITHOUT WRITTEN PERMISSION		CURRENT REV DESC:		
	$\nabla_A = 0$ $\nabla_C = 0$ $\nabla_P = 0$	DIMENSION UNITS: mm SCALE: 1.5:1	EC NO: 643941 DRWN: XLDONG03 2020/08/21 CHK'D: JDENG02 2020/08/26 APPR: JDENG02 2020/08/26		
DIVISIONAL SYMBOLS	GENERAL TOLERANCES (UNLESS SPECIFIED) ANGULAR TOL $\pm 1.0^\circ$	4 PLACES \pm 3 PLACES \pm 2 PLACES ± 0.1 1 PLACE ± 0.2 0 PLACES \pm	INITIAL REVISION: DRWN: APROFFITT 2015/11/04 APPR: KDEKOSHI 2016/06/14	DOCUMENT NUMBER: SD-33471-0001 DOC TYPE: PSD DOC PART: 001 REVISION: A1	
DRAFT WHERE APPLICABLE MUST REMAIN WITHIN DIMENSIONS		THIRD ANGLE PROJECTION	DRAWING: D-SIZE	SERIES: 33471	MATERIAL NUMBER: SEE NOTE 2a CUSTOMER: GENERAL MARKET SHEET NUMBER: 1 OF 8

SHEET DESCRIPTION

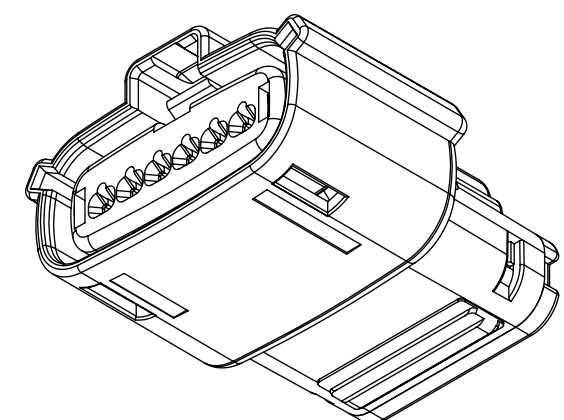
CONFIGURATIONS



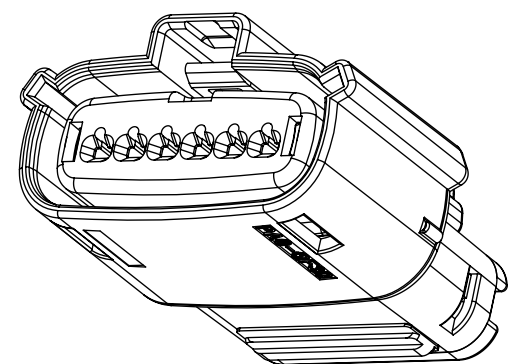
1x2 - STD



1x2 - UL V0*



1x6 - STD



1x6 - UL V0*

*MINOR GEOMETRY DIFFERENCE THAN STANDARD CONFIGURATION
SEE NOTES 1 & 2 FOR MORE INFORMATION

FUNCTIONAL SYMBOLS	THIS DRAWING CONTAINS INFORMATION THAT IS PROPRIETARY TO MOLEX ELECTRONIC TECHNOLOGIES, LLC AND SHOULD NOT BE USED WITHOUT WRITTEN PERMISSION		
	DIMENSION UNITS	SCALE	CURRENT REV DESC:
$\nabla_A = 0$	mm	1.5:1	EC NO: 643941 DRWN: XLDONG03 2020/08/21 CHK'D: JDENG02 2020/08/26 APPR: JDENG02 2020/08/26 INITIAL REVISION: DRWN: APROFFITT 2015/11/04 APPR: KDEKOSKI 2016/06/14
$\nabla_C = 0$	GENERAL TOLERANCES (UNLESS SPECIFIED)		
$\nabla_D = 0$	ANGULAR TOL $\pm 1.0^\circ$		
DIVISIONAL SYMBOLS	4 PLACES	\pm	
	3 PLACES	\pm	
	2 PLACES	± 0.1	
	1 PLACE	± 0.2	
	0 PLACES	\pm	
DRAFT WHERE APPLICABLE MUST REMAIN WITHIN DIMENSIONS		THIRD ANGLE PROJECTION	DRAWING: D-SIZE SERIES: 33471
DOCUMENT STATUS	P1	RELEASE DATE	DOCUMENT NUMBER: SD-33471-0001 DOC TYPE: PSD DOC PART: 001 REVISION: A1
2020/08/26	07:23:52		MATERIAL NUMBER: SEE NOTE 2a CUSTOMER: GENERAL MARKET SHEET NUMBER: 2 OF 8

molex

MX150 RCPT
SINGLE ROW SEALED ASSY MAT SEAL

PRODUCT CUSTOMER DRAWING

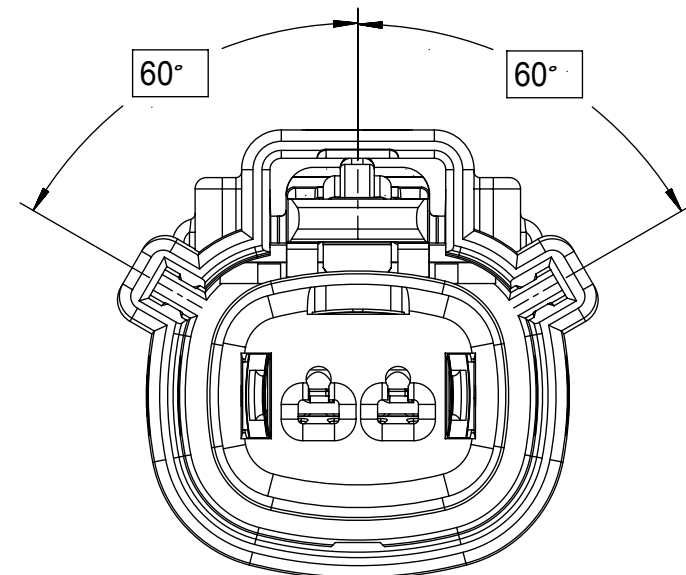
DOCUMENT NUMBER: SD-33471-0001
DOC TYPE: PSD
DOC PART: 001
REVISION: A1

MATERIAL NUMBER: SEE NOTE 2a
CUSTOMER: GENERAL MARKET
SHEET NUMBER: 2 OF 8

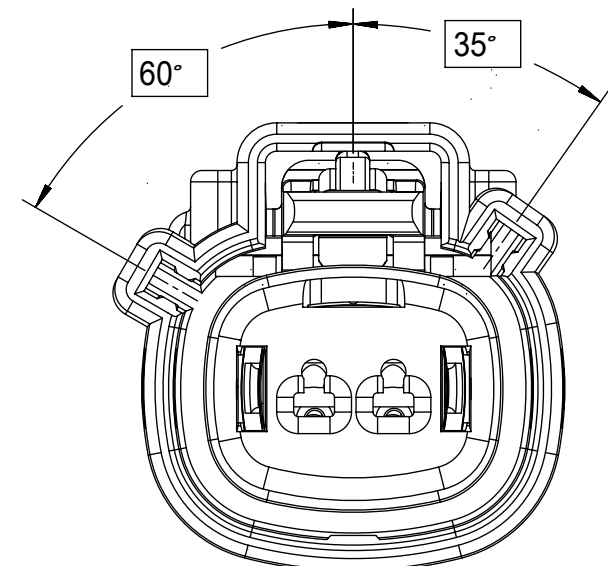
SHEET DESCRIPTION

KEY CONFIGURATIONS

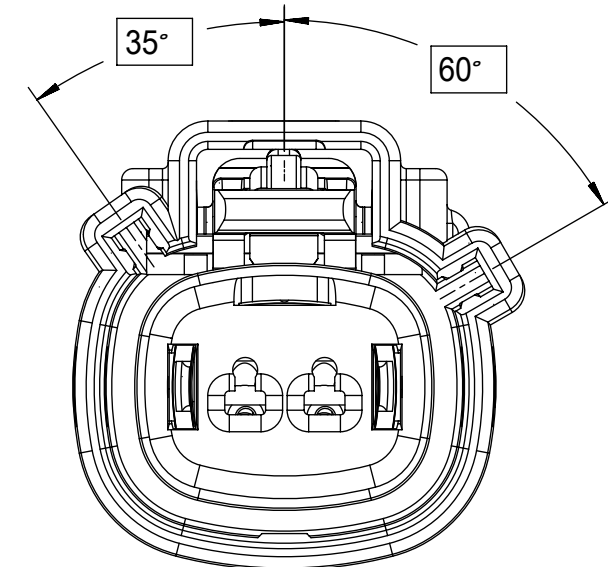
1X2



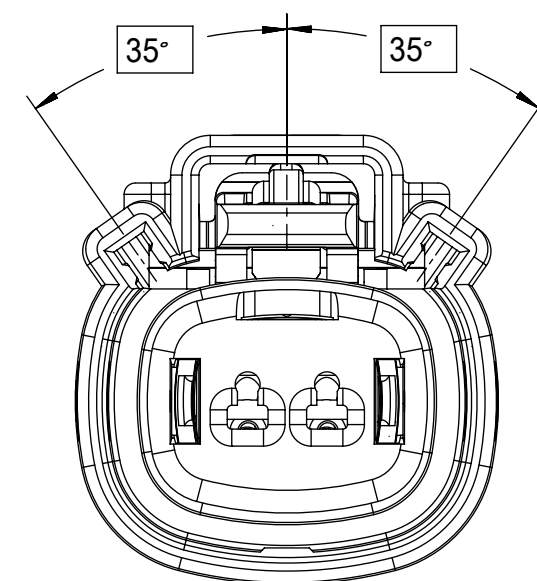
KEY A



KEY B



KEY C



KEY D

FUNCTIONAL SYMBOLS	THIS DRAWING CONTAINS INFORMATION THAT IS PROPRIETARY TO MOLEX ELECTRONIC TECHNOLOGIES, LLC AND SHOULD NOT BE USED WITHOUT WRITTEN PERMISSION		
	DIMENSION UNITS	SCALE	CURRENT REV DESC:
$\nabla_A = 0$	mm	3:1	EC NO: 643941 DRWN: XLDONG03 2020/08/21 CHK'D: JDENG02 2020/08/26 APPR: JDENG02 2020/08/26
$\nabla_C = 0$	GENERAL TOLERANCES (UNLESS SPECIFIED)		
$\nabla_P = 0$	ANGULAR TOL $\pm 1.0^\circ$		
DIVISIONAL SYMBOLS	4 PLACES	\pm	
	3 PLACES	\pm	INITIAL REVISION: DRWN: APROFFITT 2015/11/04 APPR: KDEKOSKI 2016/06/14
	2 PLACES	± 0.1	DOCUMENT NUMBER
	1 PLACE	± 0.2	DOC TYPE
	0 PLACES	\pm	DOC PART
DRAFT WHERE APPLICABLE MUST REMAIN WITHIN DIMENSIONS	THIRD ANGLE PROJECTION	DRAWING	REVISION
		D-SIZE	SD-33471-0001
		SERIES	PSD
		MATERIAL NUMBER	001
		CUSTOMER	A1
		SHEET NUMBER	3 OF 8

molex

MX150 RCPT
SINGLE ROW SEALED ASSY MAT SEAL

PRODUCT CUSTOMER DRAWING

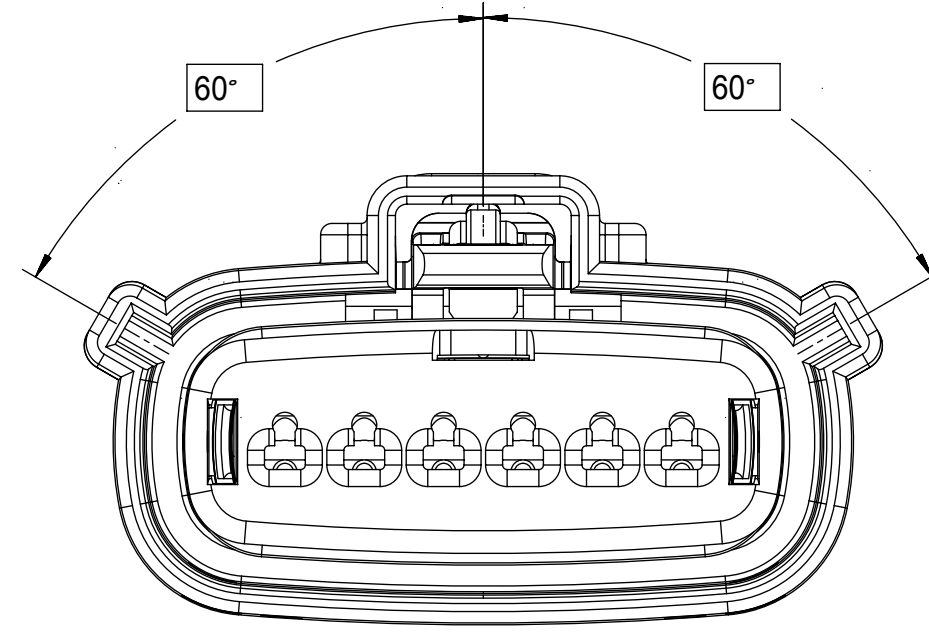
DOCUMENT NUMBER	DOC TYPE	DOC PART	REVISION
SD-33471-0001	PSD	001	A1

MATERIAL NUMBER	CUSTOMER	SHEET NUMBER
SEE NOTE 2a	GENERAL MARKET	3 OF 8

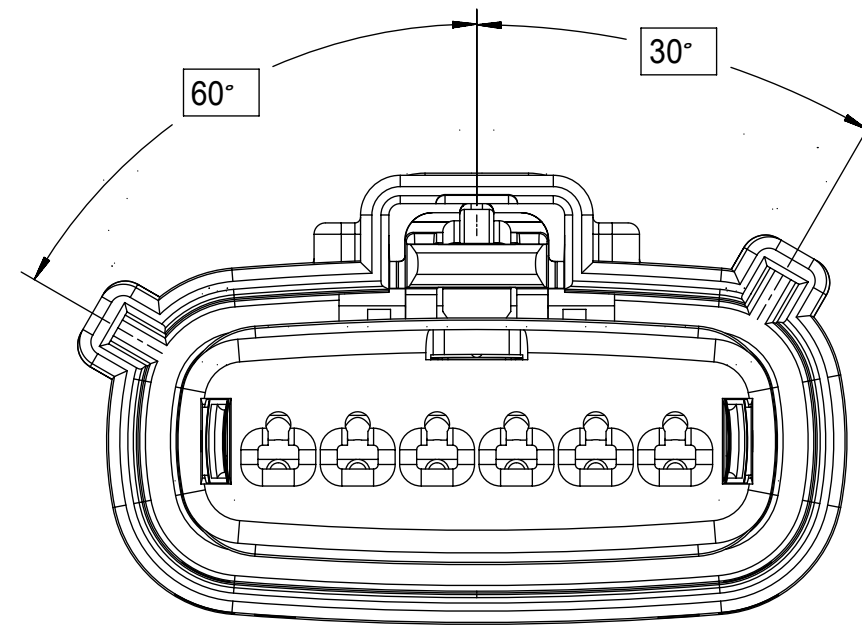
SHEET DESCRIPTION

KEY CONFIGURATIONS CONT.

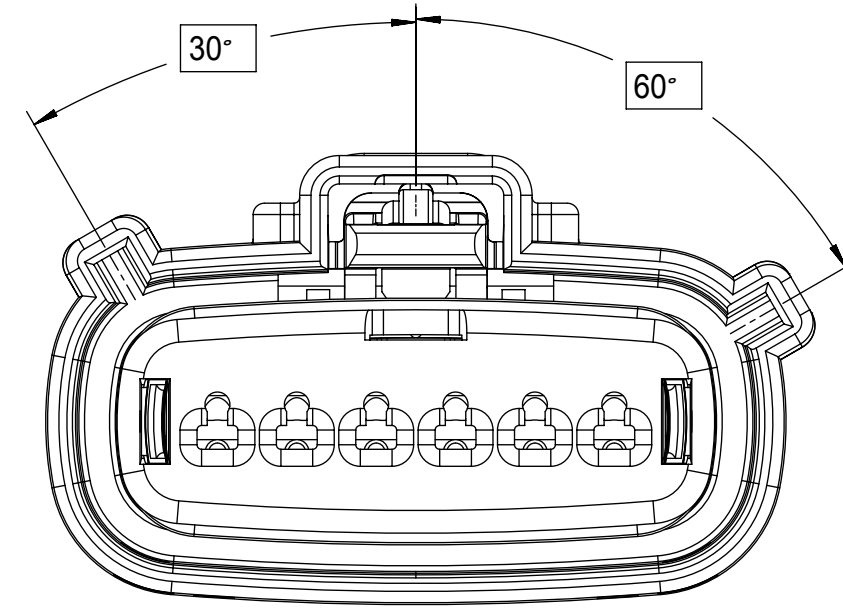
1X6



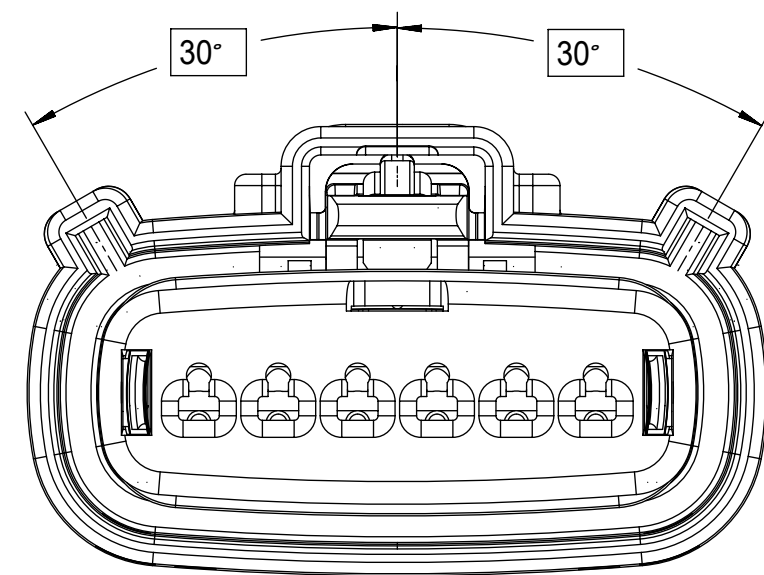
KEY A



KEY B



KEY C



KEY D

FUNCTIONAL SYMBOLS	THIS DRAWING CONTAINS INFORMATION THAT IS PROPRIETARY TO MOLEX ELECTRONIC TECHNOLOGIES, LLC AND SHOULD NOT BE USED WITHOUT WRITTEN PERMISSION		
	DIMENSION UNITS	SCALE	CURRENT REV DESC:
$\nabla_A = 0$	mm	3:1	
$\nabla_C = 0$	GENERAL TOLERANCES (UNLESS SPECIFIED)		
$\nabla_P = 0$	ANGULAR TOL $\pm 1.0^\circ$		
DIVISIONAL SYMBOLS	4 PLACES	\pm	EC NO: 643941
	3 PLACES	\pm	DRWN: XLDONG03 2020/08/21
	2 PLACES	± 0.1	CHK'D: JDENG02 2020/08/26
	1 PLACE	± 0.2	APPR: JDENG02 2020/08/26
	0 PLACES	\pm	INITIAL REVISION: DRWN: APROFFITT 2015/11/04 APPR: KDEKOSKI 2016/06/14
DRAFT WHERE APPLICABLE MUST REMAIN WITHIN DIMENSIONS		THIRD ANGLE PROJECTION	DRAWING SERIES MATERIAL NUMBER CUSTOMER SHEET NUMBER
			D-SIZE 33471 SEE NOTE 2a GENERAL MARKET 4 OF 8

molex

MX150 RCPT
SINGLE ROW SEALED ASSY MAT SEAL

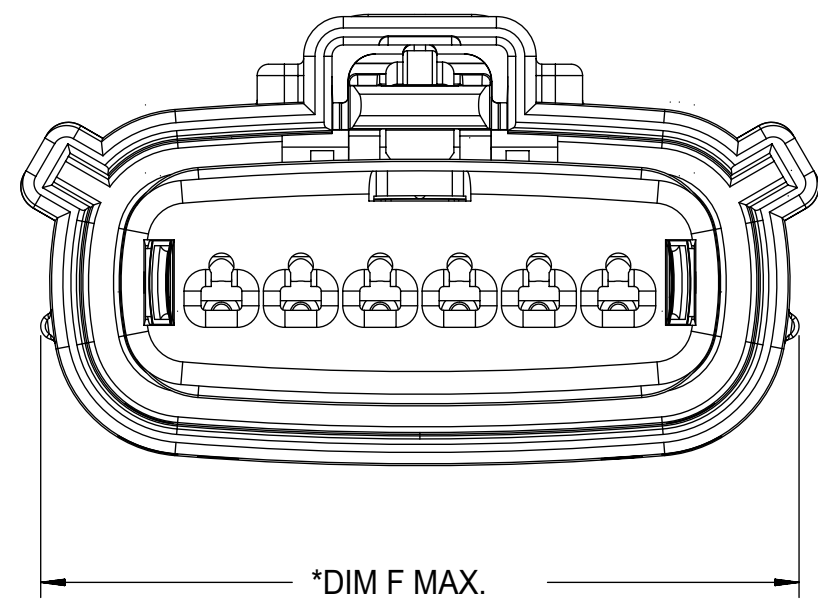
PRODUCT CUSTOMER DRAWING

DOCUMENT NUMBER	DOC TYPE	DOC PART	REVISION
SD-33471-0001	PSD	001	A1

SHEET DESCRIPTION

RECEPTACLE CONNECTOR ASSEMBLY - STD

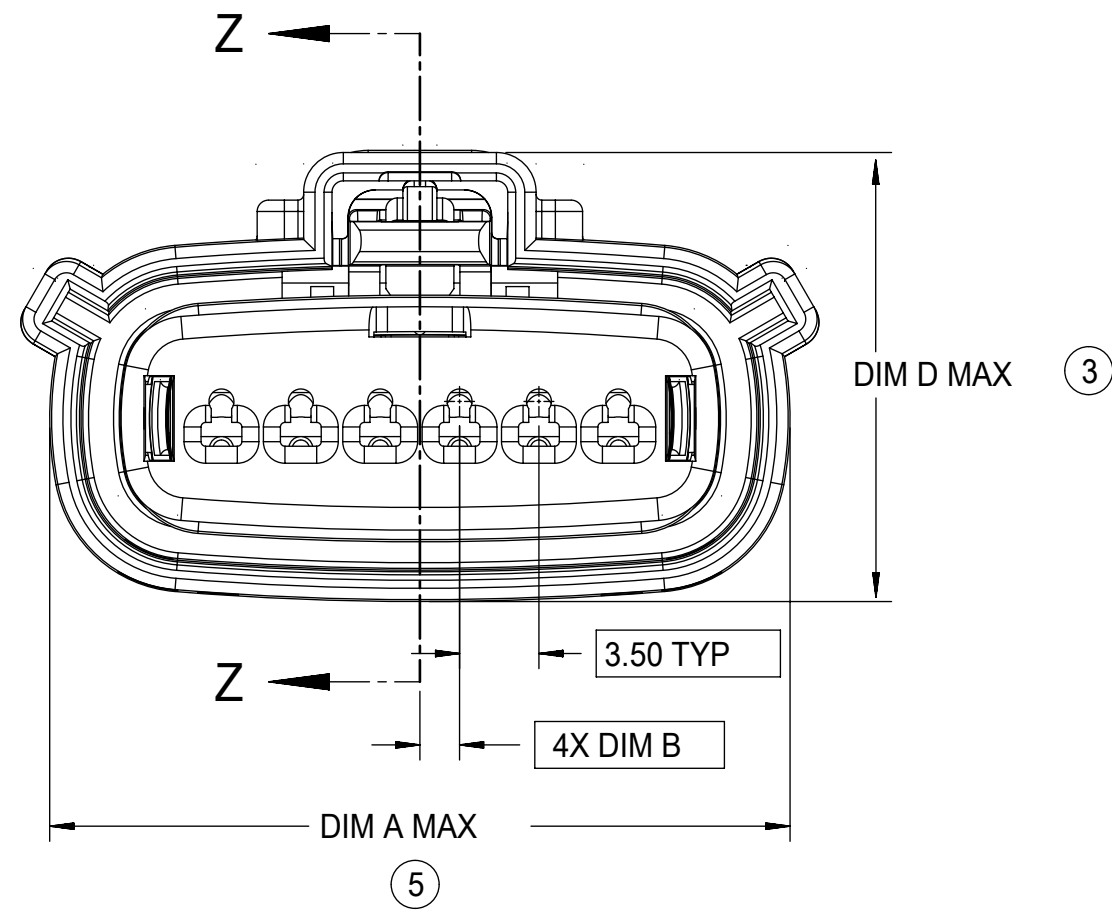
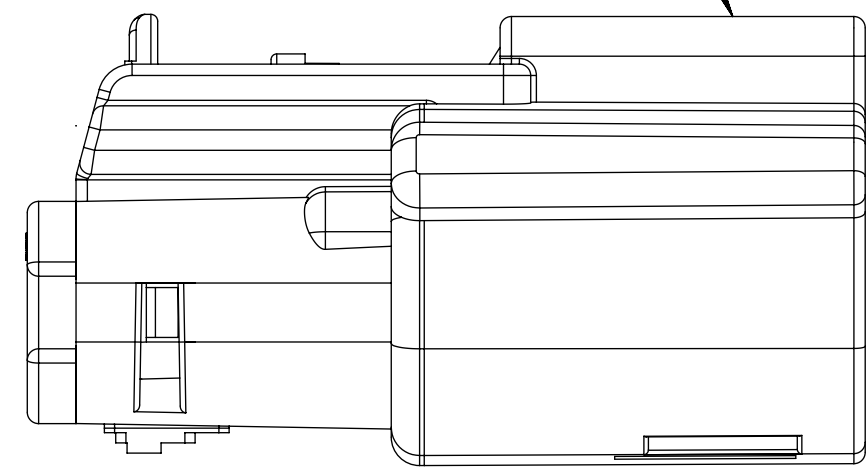
DESCRIPTION	DIMENSIONS					
	A	B	C	D	E	F
1X2	19.40	1.75	21.73	20.55	37.65	19.64
1X6	32.75	1.75	35.21	19.90	37.65	N/A
1X6 UL V0	N/A	1.75	35.23	19.90	37.65	33.64



*DIM F MAX.
*APPLIE TO UL V0 CONFIGURATIONS ONLY

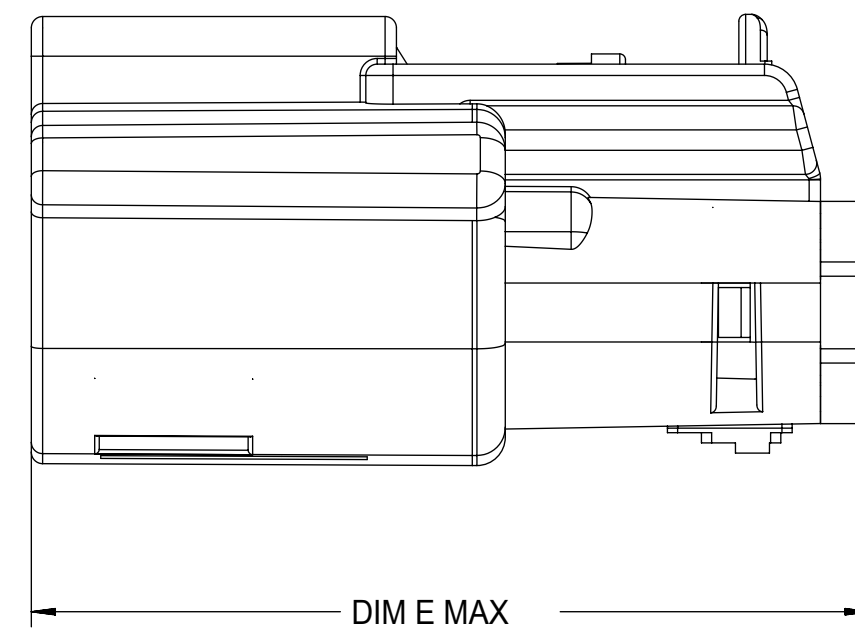
①

LASER MARKING ON THIS SURFACE
SEE NOTE 3g.



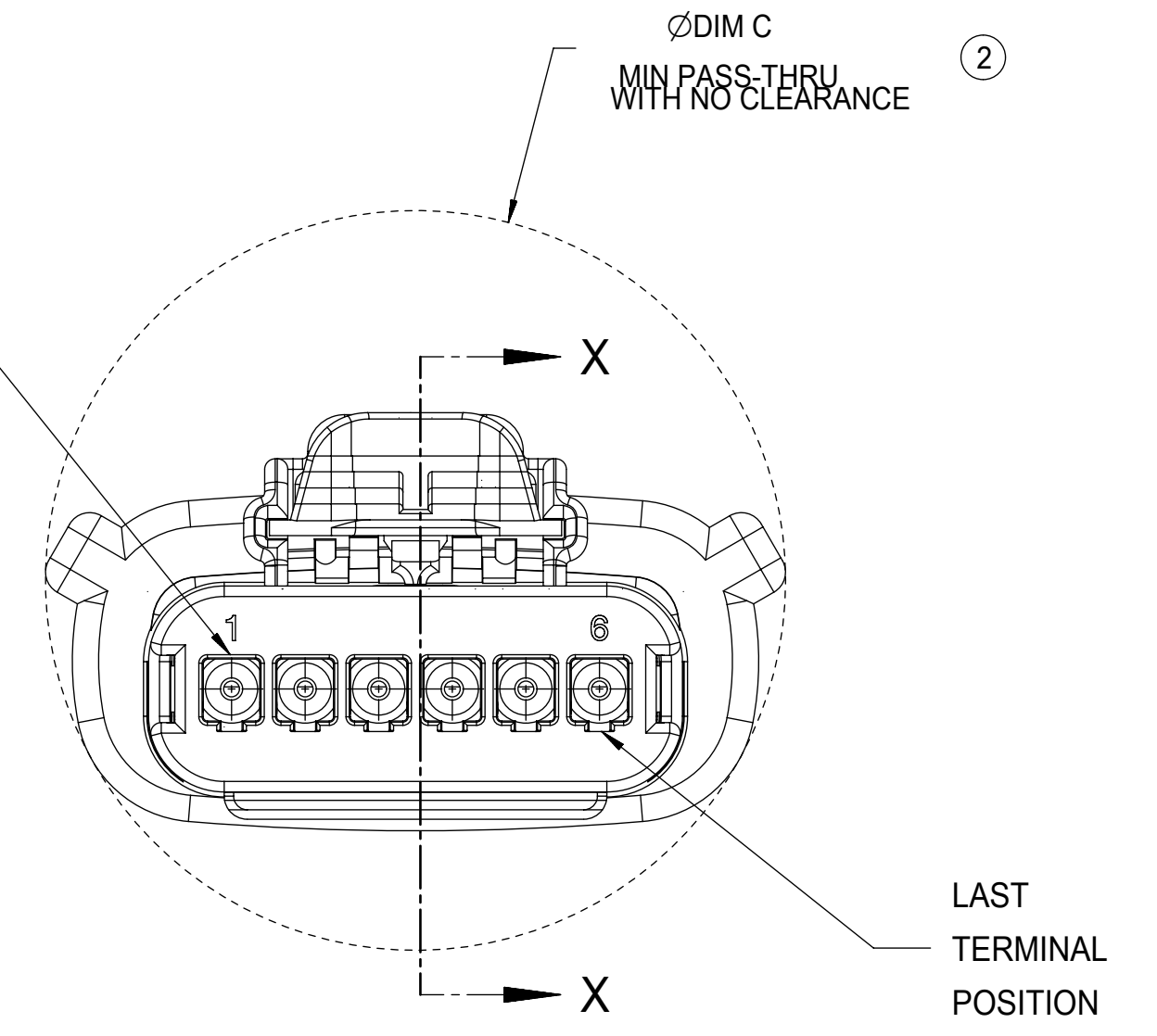
DIM D MAX ③

⑤



DIM E MAX ①

TERMINAL
POSITION 1



ØDIM C
MIN PASS-THRU
WITH NO CLEARANCE ②

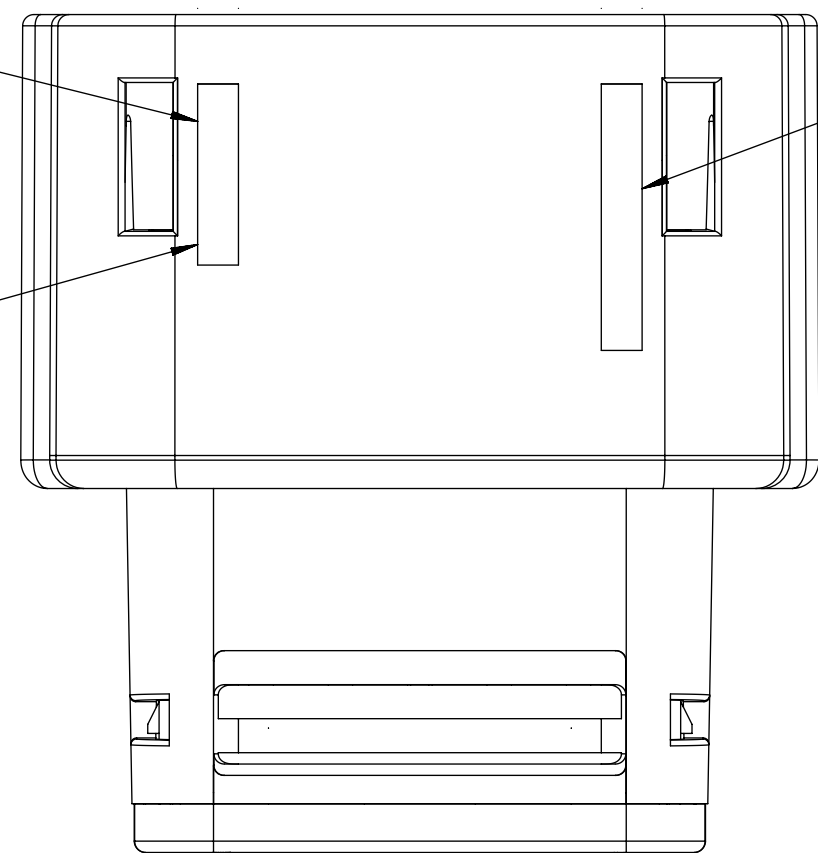
LAST
TERMINAL
POSITION

REAR VIEW
(WIRE HARNESS SIDE)

MOLD CAVITY I.D.
THIS LOCATION

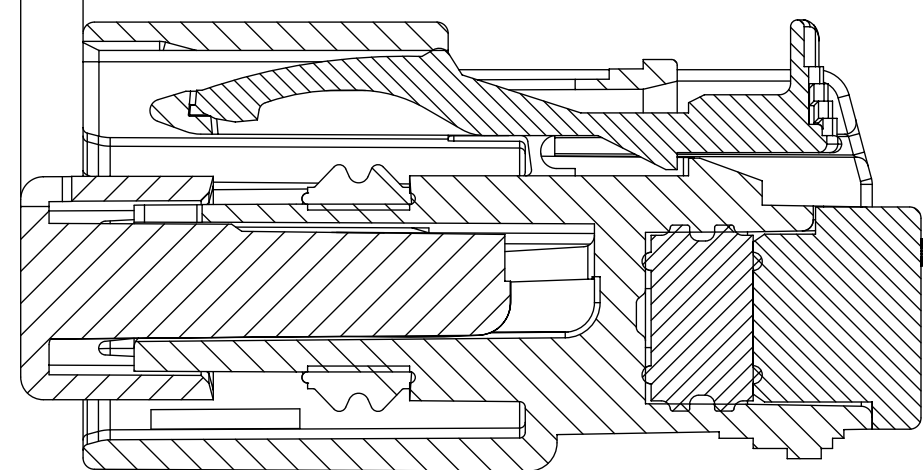
RECYCLE CODE
THIS LOCATION

MANUFACTURING LOCATION
CODE THIS LOCATION



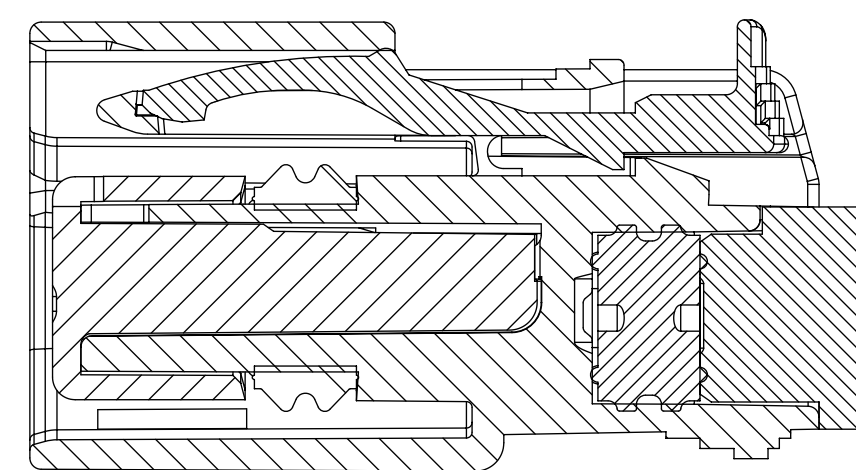
2.75±0.50

⑥



PRIMARY LOCK REINFORCEMENT (PLR) SHOWN
IN PRE-STAGED POSITION

SECTION Z-Z



PRIMARY LOCK REINFORCEMENT (PLR) SHOWN
IN FINAL-LOCK POSITION

SECTION X-X

FUNCTIONAL SYMBOLS	THIS DRAWING CONTAINS INFORMATION THAT IS PROPRIETARY TO MOLEX ELECTRONIC TECHNOLOGIES, LLC AND SHOULD NOT BE USED WITHOUT WRITTEN PERMISSION					
	DIMENSION UNITS	SCALE	CURRENT REV DESC:			
FA = 0	mm	3:1	EC NO: 643941 DRWN: XLDONG03 2020/08/21 CHK'D: JDENG02 2020/08/26 APPR: JDENG02 2020/08/26 INITIAL REVISION: DRWN: APROFFITT 2015/11/04 APPR: KDEKOSKI 2016/06/14			
FC = 0	GENERAL TOLERANCES (UNLESS SPECIFIED)					
FD = 0	ANGULAR TOL ± 1.0°					
	4 PLACES	±				
	3 PLACES	±				
DIVISIONAL SYMBOLS	2 PLACES	± 0.1	DOCUMENT NUMBER			
	1 PLACE	± 0.2	DOC TYPE DOC PART REVISION			
	0 PLACES	±	SD-33471-0001 PSD 001 A1			
DRAFT WHERE APPLICABLE MUST REMAIN WITHIN DIMENSIONS		THIRD ANGLE PROJECTION	DRAWING	SERIES	MATERIAL NUMBER	CUSTOMER
		③	D-SIZE	33471	SEE NOTE 2a	GENERAL MARKET
						SHEET NUMBER
						5 OF 8

molex

MX150 RCPT
SINGLE ROW SEALED ASSY MAT SEAL

PRODUCT CUSTOMER DRAWING

DOCUMENT NUMBER: SD-33471-0001
DOC TYPE: PSD
DOC PART: 001
REVISION: A1

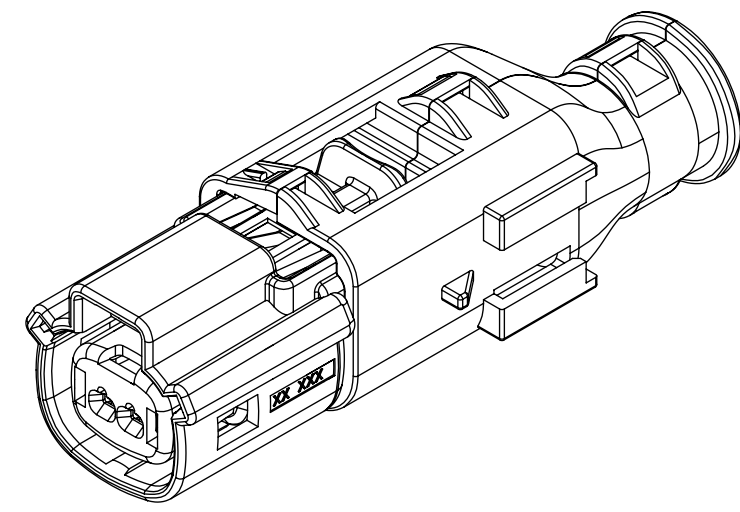
SHEET DESCRIPTION

BACKSHELL NOTES

BACKSHELL NOTES: VALID UNLESS OTHERWISE SPECIFIED

1. GENERAL:

- a. APPLICATION SPECIFICATION SEE: AS-34951-001
 - DESIGNED TO MATE WITH RECEPTACLE SEALED ASSEMBLY SPECIFIED IN MOLEX DRAWING SD-33471-0001.
 - SYSTEM TO BE USED WITH WIRE WITHIN DIAMETER RANGE OF 1.2mm TO 2.69mm.
 - COMPONENTS ARE OPTIONAL AND MUST BE PURCHASED SEPERATELY.
 - BACKSHELL DESIGN IS OWNED BY SCHLEMMER.
 - FOR ADDITIONAL INFORMATION SEE THE BACKSHELL COMPONENT DRAWING SD-34949-0001.



1X2

BACKSHELL CUSTOMER MODEL NUMBER LEGEND

34949-XXXX

CUSTOMER MODEL COMPONENTS

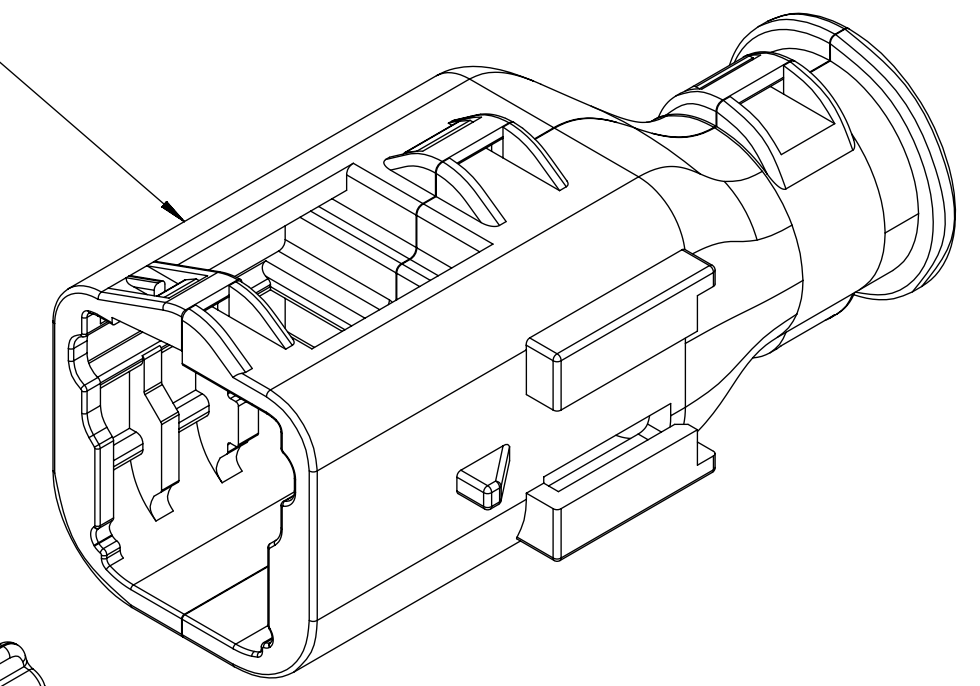
- 0 - BACKSHELL ONLY
- 1 - BACKSHELL & MX150 HOUSING KEY A ASSEMBLY
- 2 - BACKSHELL & MX150 HOUSING KEY B ASSEMBLY
- 3 - BACKSHELL & MX150 HOUSING KEY C ASSEMBLY
- 4 - BACKSHELL & MX150 HOUSING KEY D ASSEMBLY

BACKSHELL FEATURES

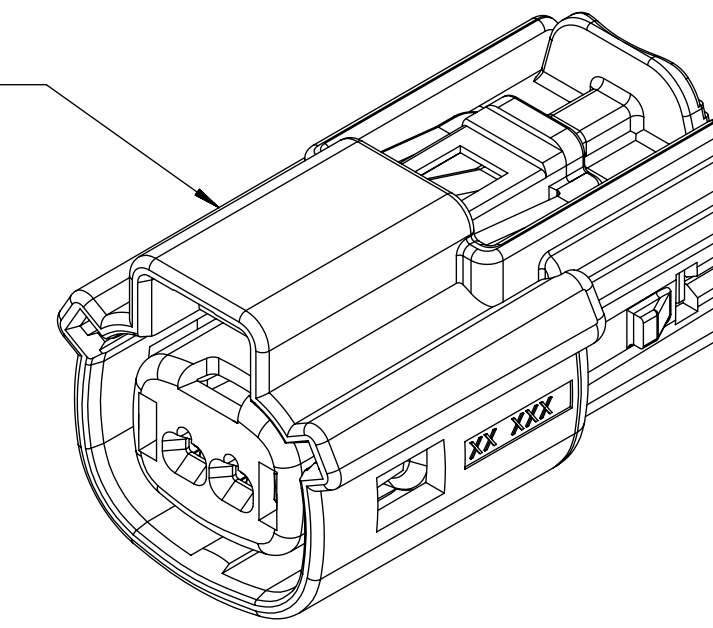
- 1 - WITH RIBS
- 2 - WITHOUT RIBS

MX150 CIRCUIT SIZE 02, 03, 04, 05, 06

BACKSHELL (BKS)



RECEPTACLE SEALED ASSEMBLY



FUNCTIONAL SYMBOLS	THIS DRAWING CONTAINS INFORMATION THAT IS PROPRIETARY TO MOLEX ELECTRONIC TECHNOLOGIES, LLC AND SHOULD NOT BE USED WITHOUT WRITTEN PERMISSION		
	DIMENSION UNITS	SCALE	CURRENT REV DESC:
$\nabla_A = 0$	mm	4:1	EC NO: 643941 DRWN: XLDONG03 2020/08/21 CHK'D: JDENG02 2020/08/26 APPR: JDENG02 2020/08/26
$\nabla_C = 0$	GENERAL TOLERANCES (UNLESS SPECIFIED)		
$\nabla_D = 0$	ANGULAR TOL $\pm 1.0^\circ$		INITIAL REVISION: DRWN: APROFFITT 2015/11/04 APPR: KDEKOSKI 2016/06/14
DIVISIONAL SYMBOLS	4 PLACES	\pm	
	3 PLACES	\pm	DOCUMENT NUMBER SD-33471-0001 DOC TYPE PSD DOC PART 001 REVISION A1
	2 PLACES	± 0.1	
	1 PLACE	± 0.2	MATERIAL NUMBER SEE NOTE 2a CUSTOMER GENERAL MARKET SHEET NUMBER 6 OF 8
	0 PLACES	\pm	
DRAFT WHERE APPLICABLE MUST REMAIN WITHIN DIMENSIONS		THIRD ANGLE PROJECTION	DRAWING D-SIZE
			SERIES 33471

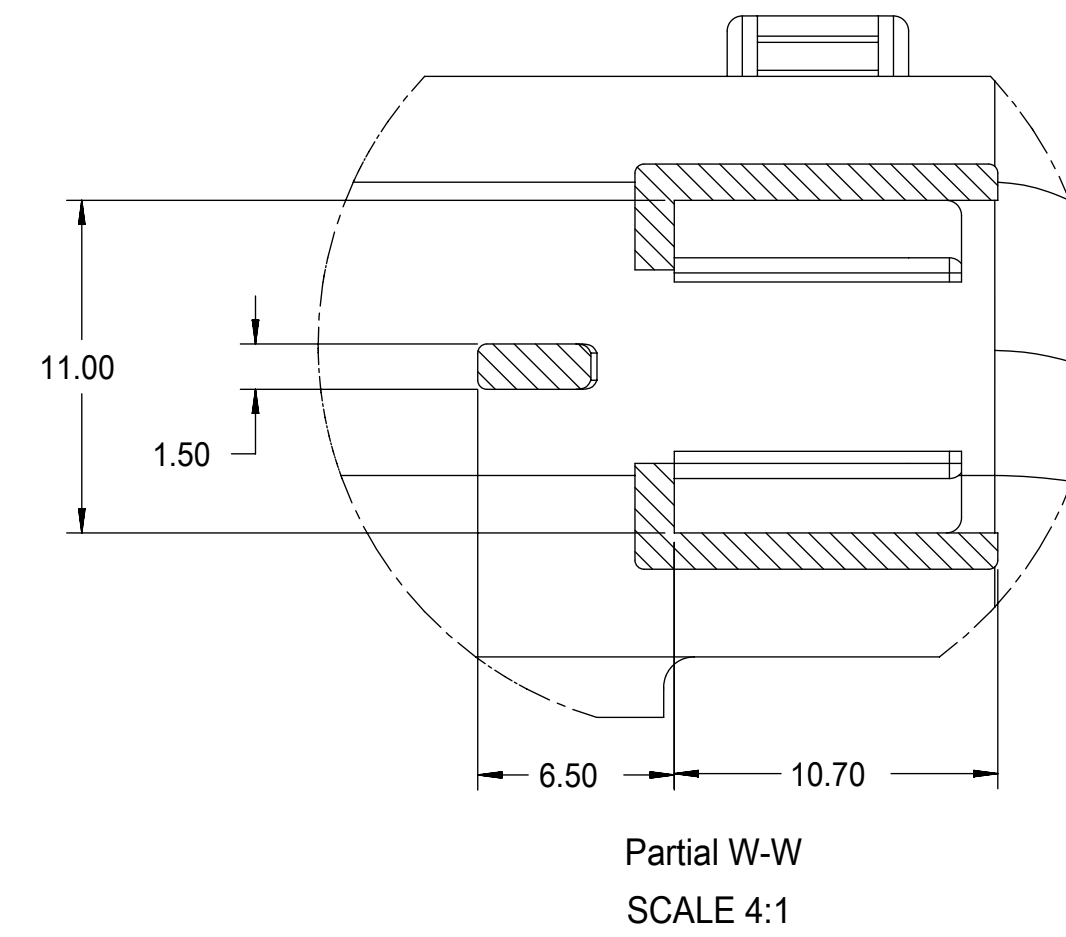
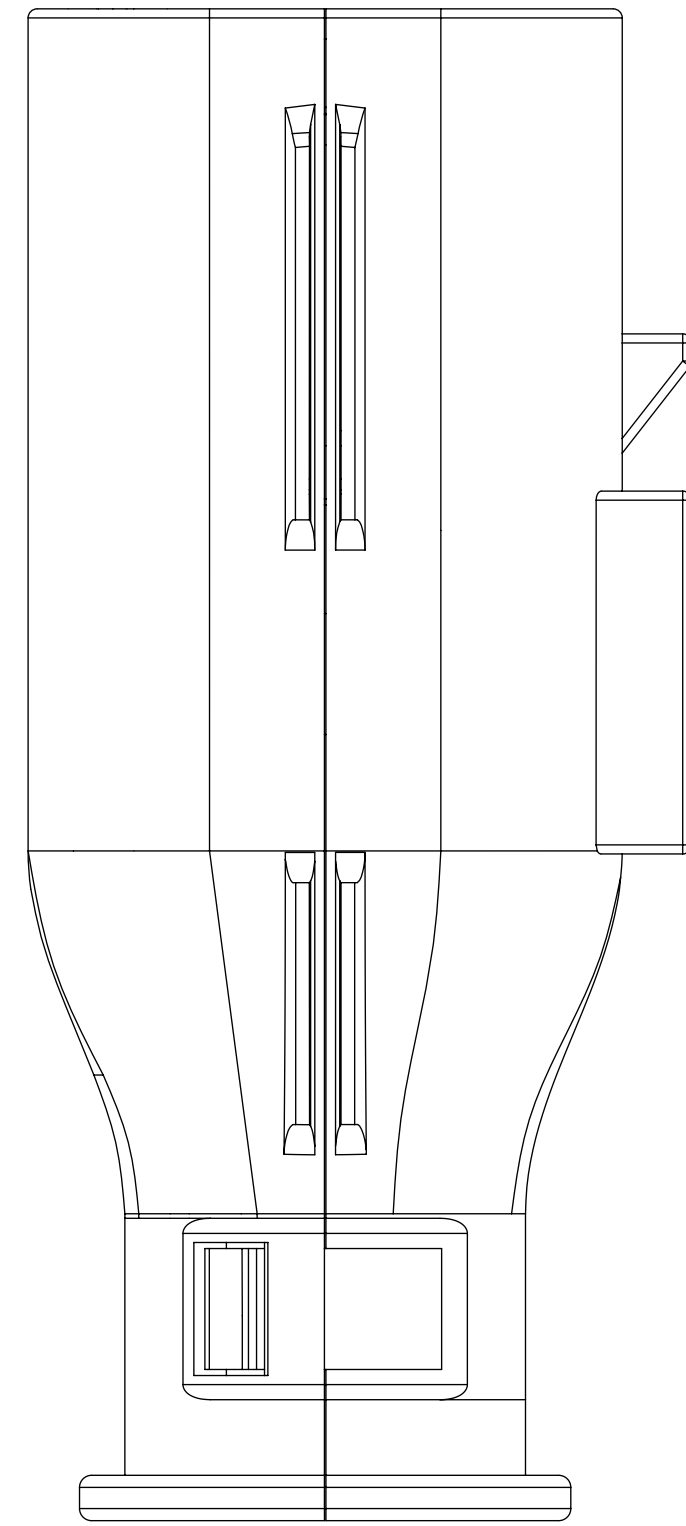
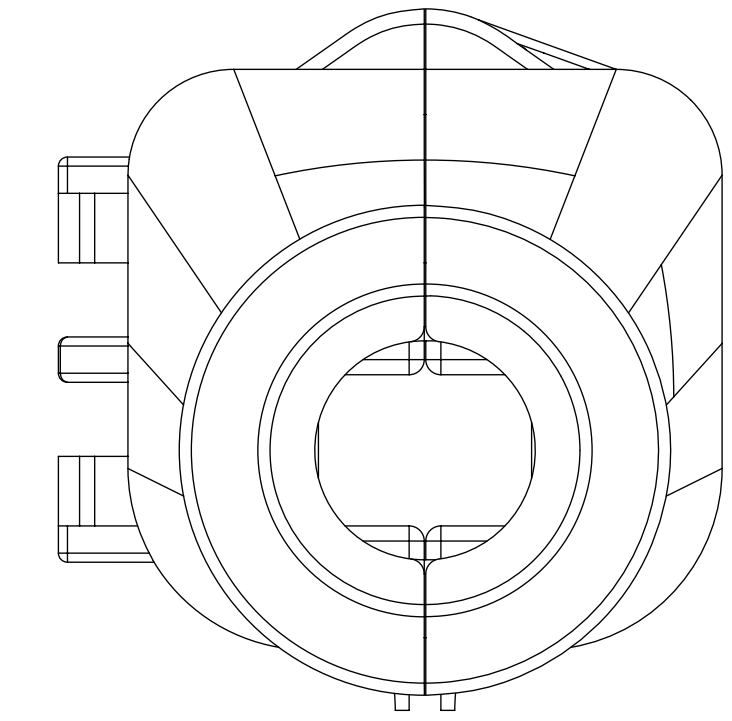
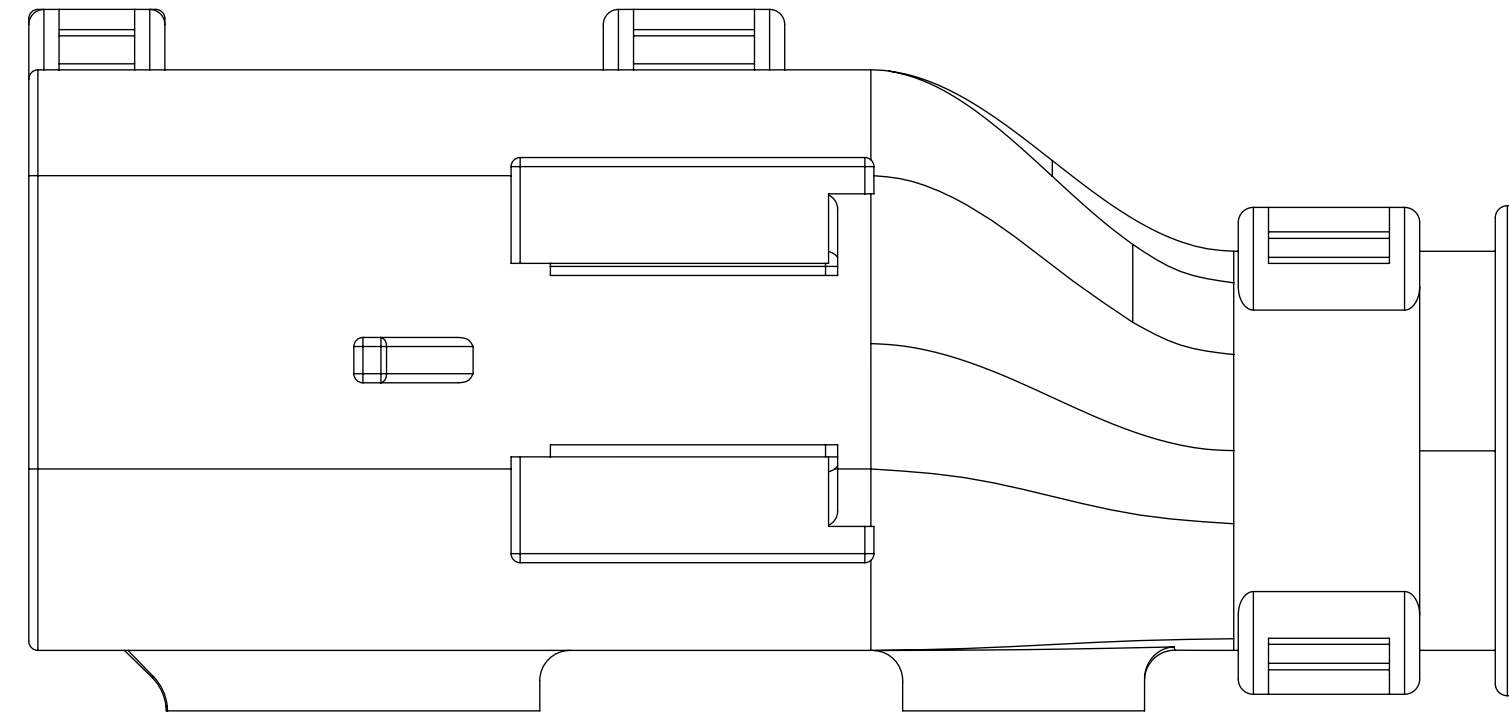
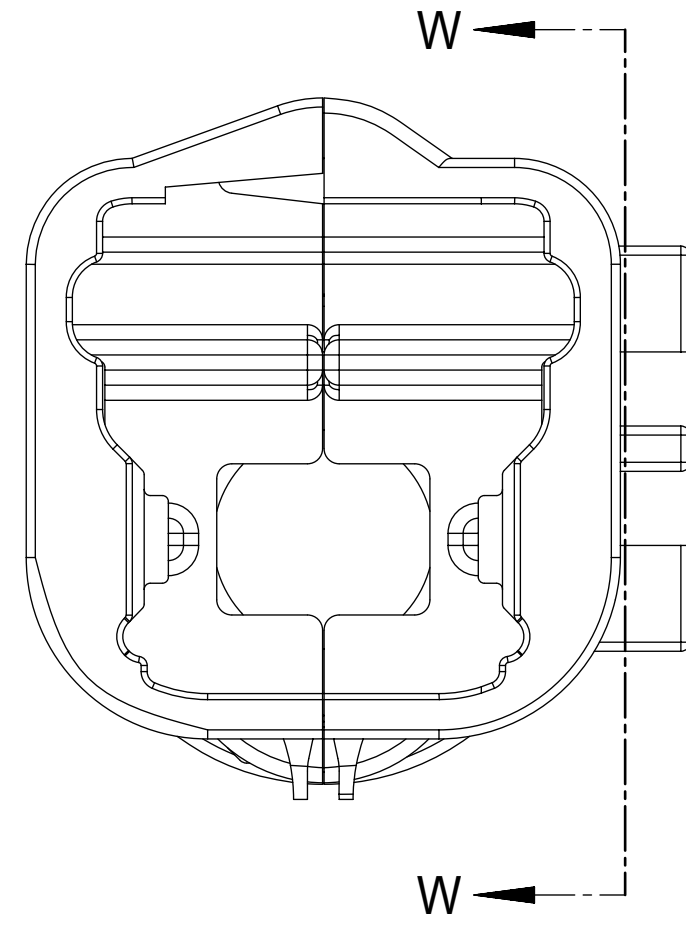
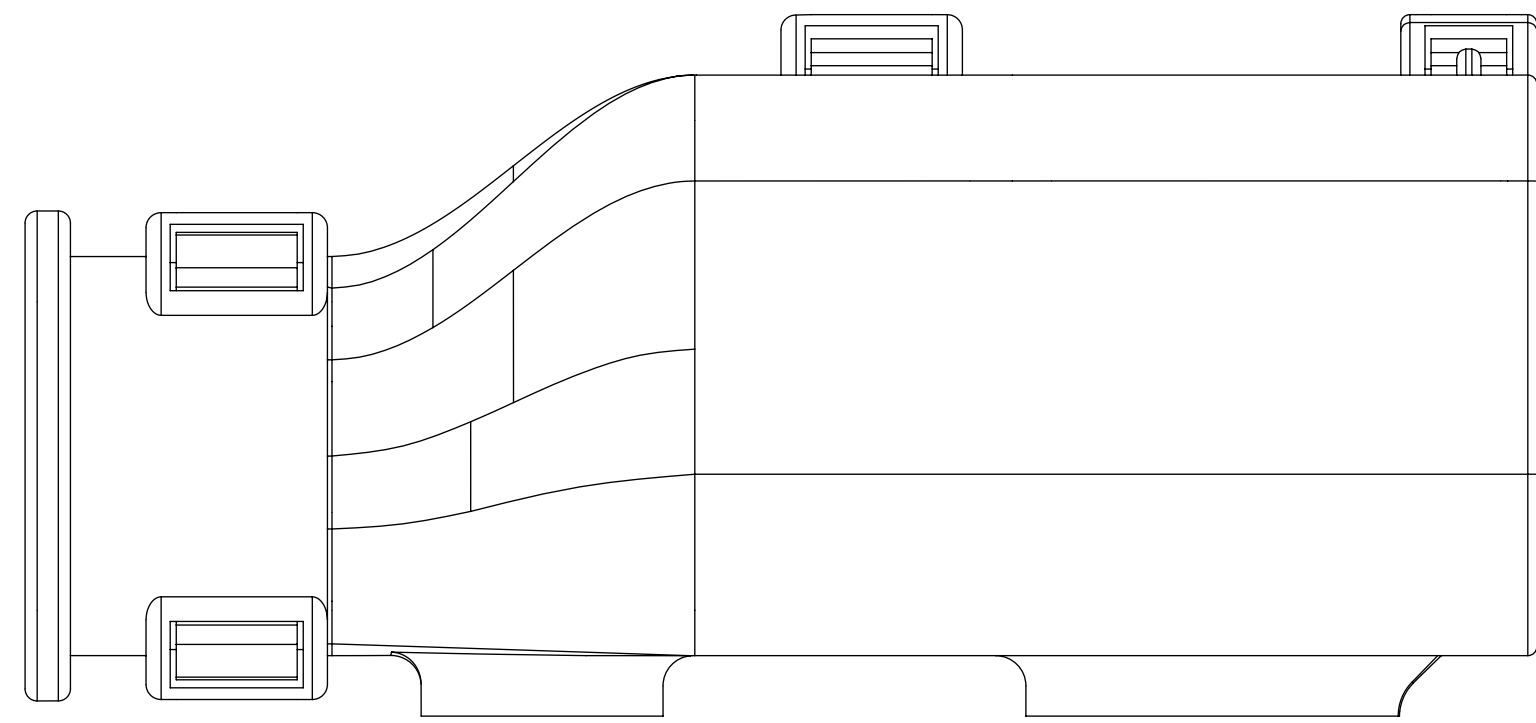
molex

MX150 RCPT
SINGLE ROW SEALED ASSY MAT SEAL

PRODUCT CUSTOMER DRAWING

SHEET DESCRIPTION

BACKSHELL



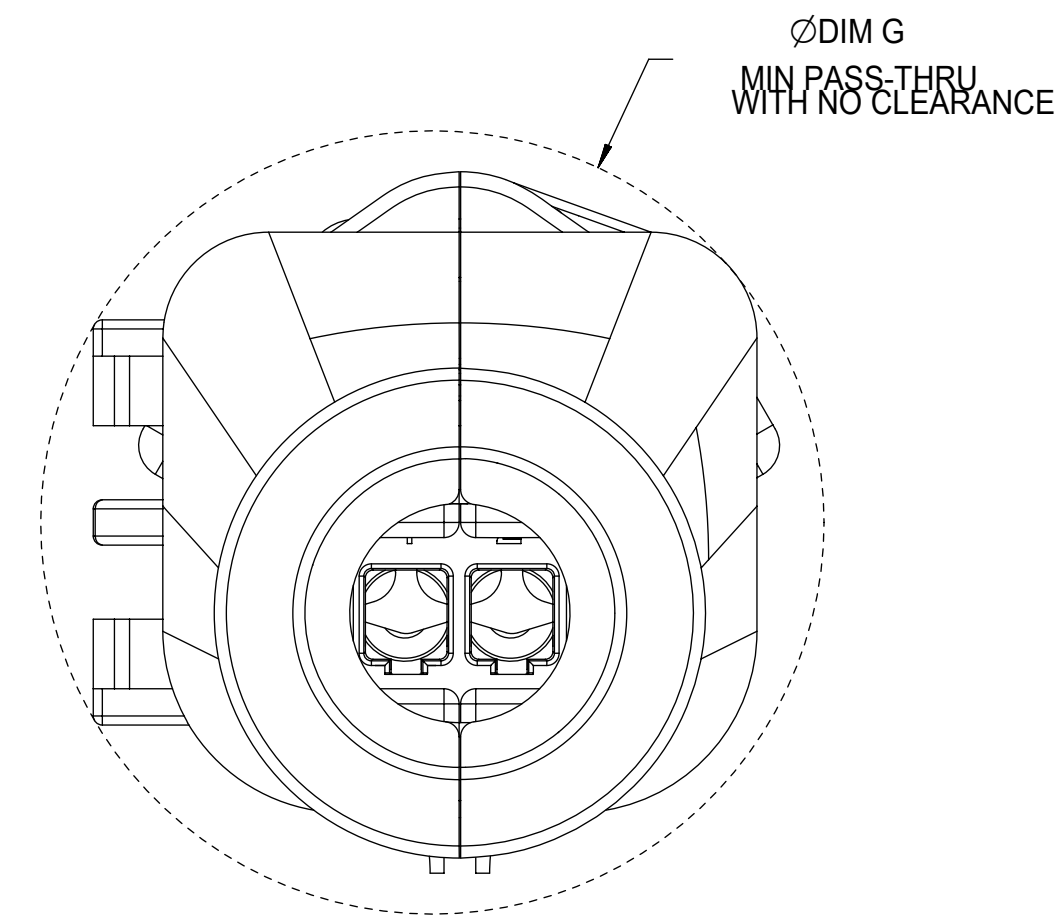
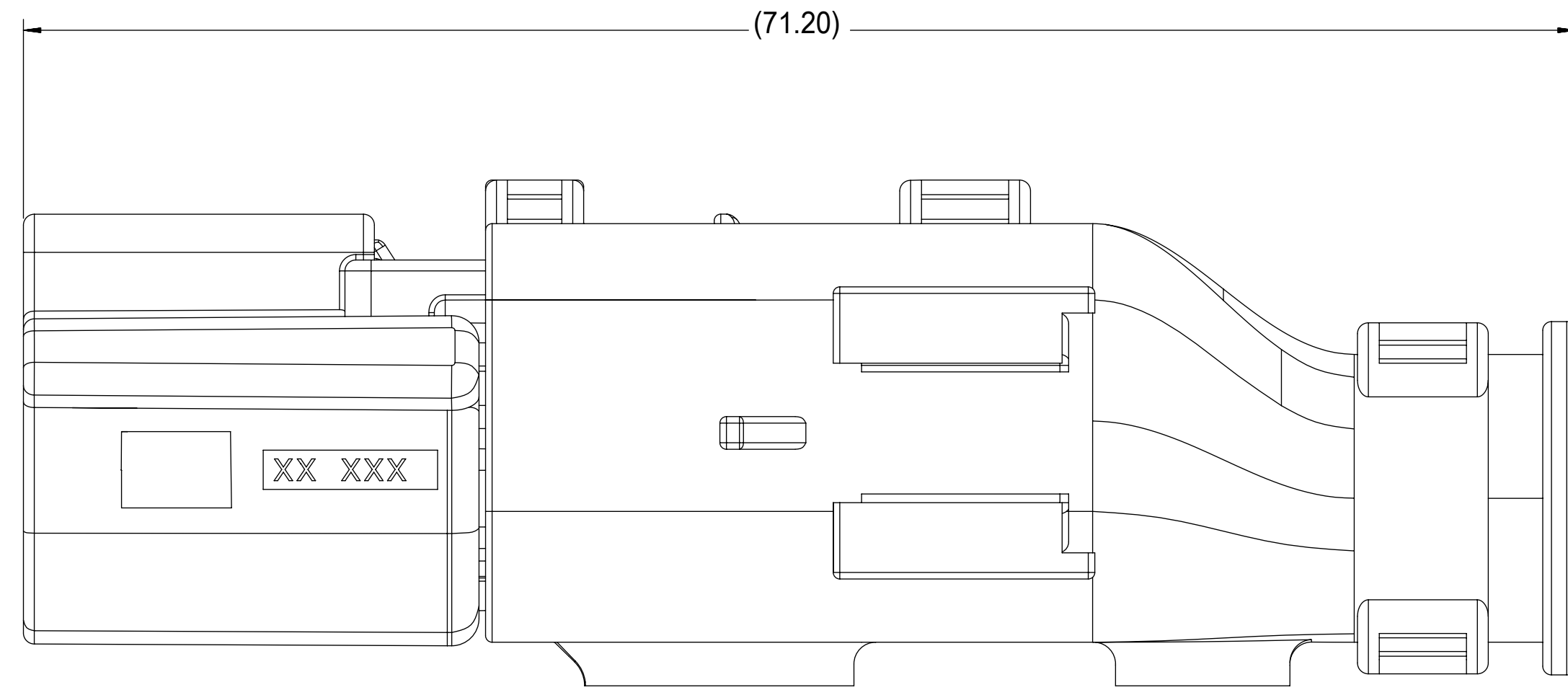
FUNCTIONAL SYMBOLS $F_A = 0$ $F_C = 0$ $F_P = 0$	THIS DRAWING CONTAINS INFORMATION THAT IS PROPRIETARY TO MOLEX ELECTRONIC TECHNOLOGIES, LLC AND SHOULD NOT BE USED WITHOUT WRITTEN PERMISSION		CURRENT REV DESC: EC NO: 643941 DRWN: XLDONG03 2020/08/21 CHK'D: JDENG02 2020/08/26 APPR: JDENG02 2020/08/26					
	DIMENSION UNITS mm	SCALE 4:1						GENERAL TOLERANCES (UNLESS SPECIFIED) ANGULAR TOL $\pm 1.0^\circ$
DIVISIONAL SYMBOLS	4 PLACES	\pm	INITIAL REVISION: DRWN: APROFFITT 2015/11/04 APPR: KDEKOSKI 2016/06/14		DOCUMENT NUMBER SD-33471-0001	DOC TYPE PSD	DOC PART 001	REVISION A1
	3 PLACES	\pm	DRAFT WHERE APPLICABLE MUST REMAIN WITHIN DIMENSIONS		MATERIAL NUMBER SEE NOTE 2a		CUSTOMER GENERAL MARKET	
	2 PLACES	± 0.1	THIRD ANGLE PROJECTION 		DRAWING D-SIZE	SERIES 33471	SHEET NUMBER 7 OF 8	
	1 PLACE	± 0.2						
0 PLACES	\pm							

SHEET DESCRIPTION

BACKSHELL CONFIGURATIONS

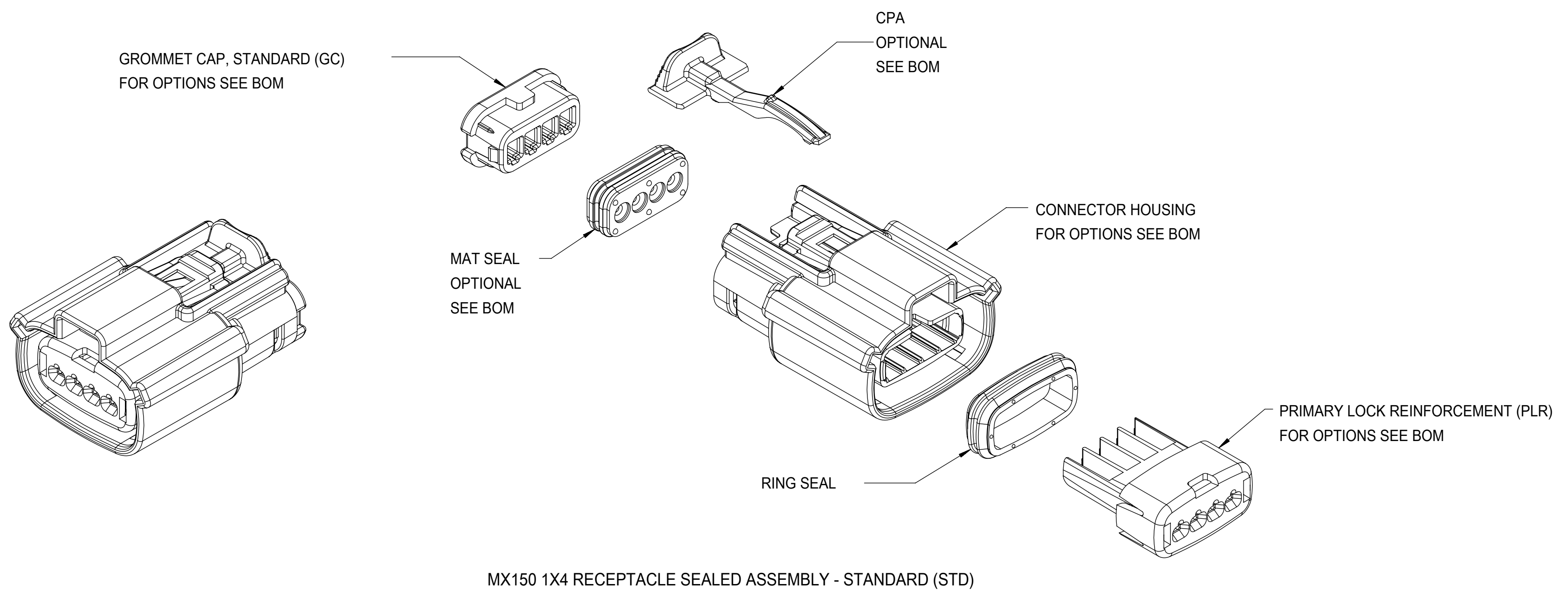
CHARTED DIMENSIONS

DESCRIPTION	DIMENSIONS
	G
1X2	26.00

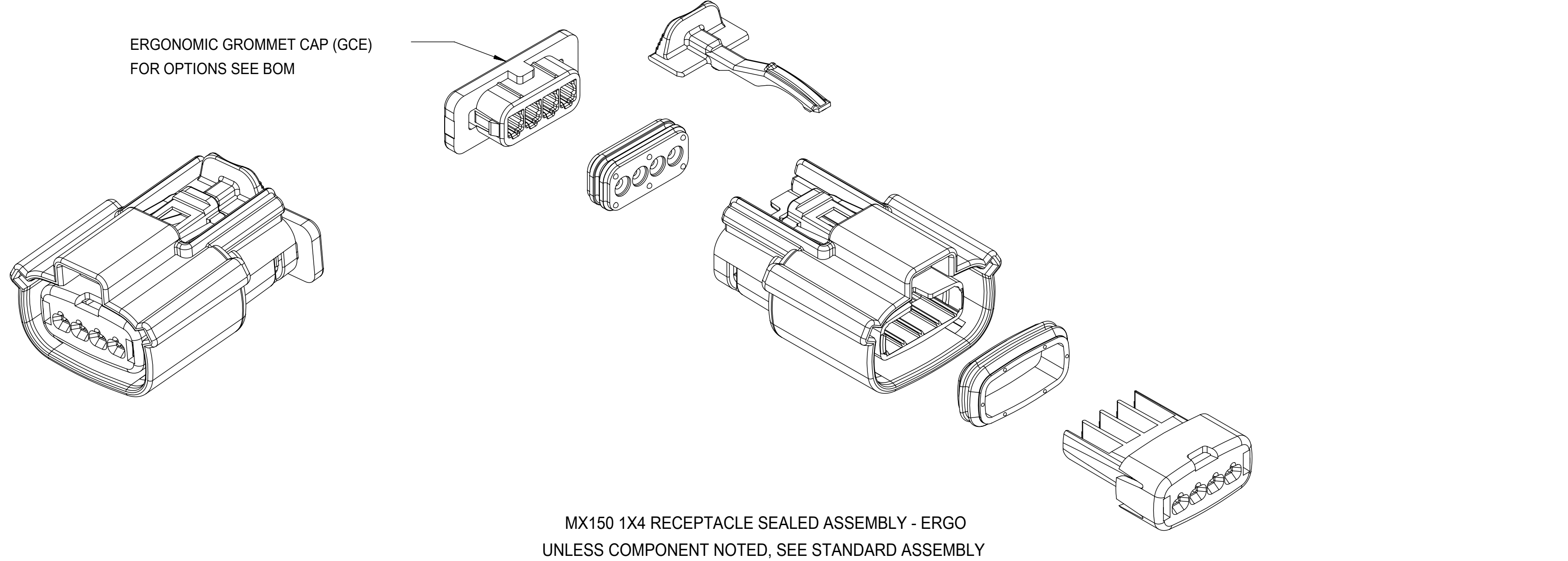


RECEPTACLE SEALED ASSEMBLY WITH RECEPTACLE BACKSHELL

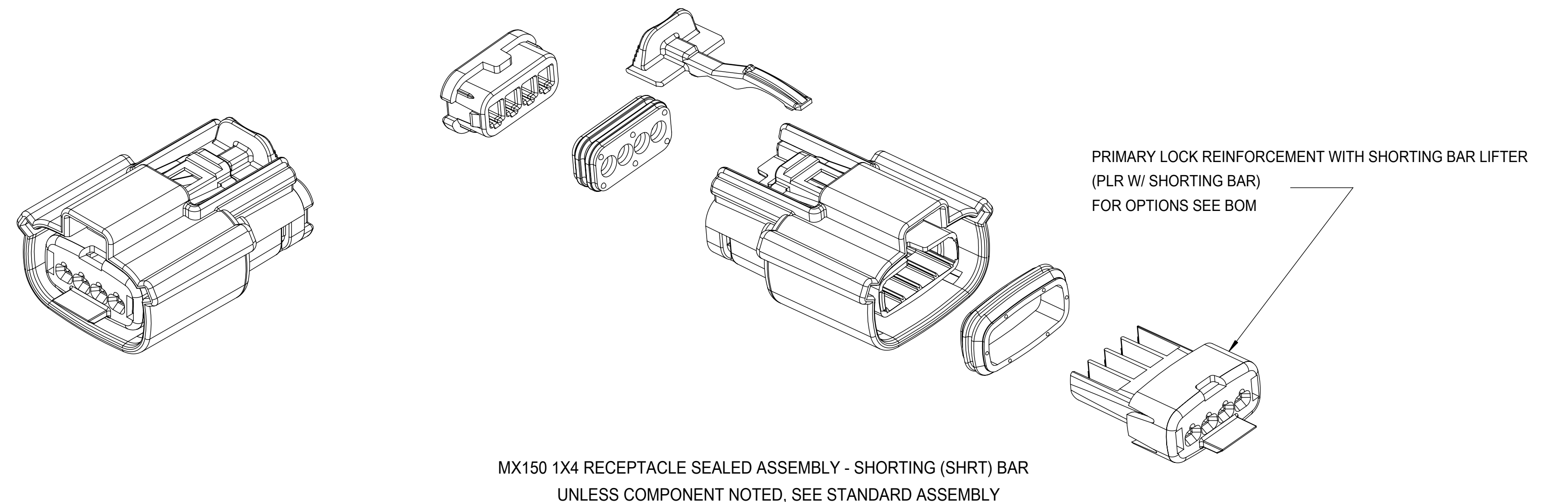
FUNCTIONAL SYMBOLS FA = 0 FC = 0 FP = 0 DIVISIONAL SYMBOLS	THIS DRAWING CONTAINS INFORMATION THAT IS PROPRIETARY TO MOLEX ELECTRONIC TECHNOLOGIES, LLC AND SHOULD NOT BE USED WITHOUT WRITTEN PERMISSION		CURRENT REV DESC:				
	DIMENSION UNITS	SCALE	EC NO: 643941				
	mm	4:1	DRWN: XLDONG03 2020/08/21				
	GENERAL TOLERANCES (UNLESS SPECIFIED)		CHK'D: JDENG02 2020/08/26				
	ANGULAR TOL ± 1.0°		APPR: JDENG02 2020/08/26				
4 PLACES	±	INITIAL REVISION:		DOCUMENT NUMBER	DOC TYPE	DOC PART	REVISION
3 PLACES	±	DRWN: APROFFITT 2015/11/04		SD-33471-0001	PSD	001	A1
2 PLACES	± 0.1	APPR: KDEKOSKI 2016/06/14		SEE NOTE 2a	GENERAL MARKET	SHEET NUMBER	
1 PLACE	± 0.2	DRAFT WHERE APPLICABLE MUST REMAIN WITHIN DIMENSIONS		D-SIZE	33471	8 OF 8	
0 PLACES	±	THIRD ANGLE PROJECTION					



MX150 1X4 RECEPTACLE SEALED ASSEMBLY - STANDARD (STD)



MX150 1X4 RECEPTACLE SEALED ASSEMBLY - ERGO
UNLESS COMPONENT NOTED, SEE STANDARD ASSEMBLY



MX150 1X4 RECEPTACLE SEALED ASSEMBLY - SHORTING (SHRT) BAR
UNLESS COMPONENT NOTED, SEE STANDARD ASSEMBLY

TABLE OF CONTENTS	
SHEET NO.	SHEET DESCRIPTION
1	NOTES
2	KEY CONFIGURATIONS
3	RECEPTACLE SEALED ASSEMBLY
4-5	BOM

NOTES: VALID UNLESS OTHERWISE SPECIFIED

1. GENERAL:
 - a. APPLICATION SPECIFICATION SEE: AS-33472-100
 - CONTAINS: PRODUCT INTRODUCTION, PRODUCT SUMMARY, CONNECTOR ASSEMBLY, PACKAGING INFORMATION, CONNECTOR MATING, SERVICE INSTRUCTIONS, ELECTRICAL CONTINUITY CHECKING, CRIMPING, AND TROUBLESHOOTING.
 - STANDARD (NON-SHRT) CONFIGURATIONS DESIGNED TO MATE WITH DEVICE CONNECTION AS SPECIFIED IN DRAWING SD-33481-041 AND EWCAP 150-S-004-1-Z03, AVAILABLE AT <http://ewcap.uscarteams.org/>
 - SHORTING BAR CONFIGURATIONS DESIGNED TO MATE WITH BLADE SEALED ASSEMBLY SPECIFIED IN DRAWING SD-31280-200
 - FOR 1.5mm RECEPTACLE TERMINALS TO BE USED WITH THIS ASSEMBLY. SEE MOLEX DRAWING SD-33012-002.
 - SYSTEM TO BE USED WITH WIRE WITHIN DIAMETER RANGE OF 1.2mm TO 2.69mm.
 - ASSEMBLY SHIPPED WITH PLR AND CPA IN PRE-LOCK POSITION (SEE SECTION Z-Z PRE-LOCK).
 - IN THE EVENT THAT THE PLR IS FOUND IN THE SEATED (FINAL LOCK) POSITION, REFER TO MOLEX SPECIFICATION PS-34646-001, AVAILABLE AT www.molex.com <<http://www.molex.com>>.
 - ASSEMBLY CONFORMS TO SAE/USCAR-2 REV 4 WITH THE FOLLOWING EXCEPTIONS: ENGAGEMENT FORCE TO MOVE CPA FROM PRE-LOCK TO FINAL LOCK POSITION WHEN UNMATED: 40N MIN. DISENGAGEMENT FORCE TO MOVE CPA FROM FINAL LOCK TO PRE-LOCK POSITION: 3N MIN, 40N MAX. TERMINAL INSERTION FORCE FOR WIRE DIAMETER ABOVE 2.5mm AND NOT EXCEEDING 2.69mm SHALL NOT EXCEED 40 NEWTONS.
 - b. PRODUCT SPECIFICATION SEE: PS-33471-000
 - CONTAINS: PRODUCT INTRODUCTION, PRODUCT SUMMARY, RATINGS (CURRENT, TEMPERATURE, SEALING, AND FLAMMABILITY), AND PRODUCT VALIDATION.
 - c. PACKAGING SPECIFICATION PER MOLEX DRAWING: PK-31300-903
 - d. PARTS MUST BE IN COMPLIANCE TO MOLEX CHEMICAL SUBSTANCES FOR PRODUCTS AND PACKAGING SPECIFICATION: ES-40000-5016
 - e. DATA MUST BE SUBMITTED UNDER THE MOLEX PART NUMBER TO IMDS (COMPANY ID#13255)
2. DESIGN - MATERIALS:
 - a. SEE BOM TABLE
3. DESIGN - GEOMETRY:
 - a. THIS IS A 100% CAD GENERATED PART. THE CAD MATHEMATICAL DATA IS THE MASTER FOR THIS PART. FOR DIMENSIONAL OR ANY INFORMATION NOT SHOWN ON THIS DRAWING, ANALYZE THE CAD MODEL.
 - b. GEOMETRIC DIMENSIONS AND TOLERANCES PER ASME Y14.5M - 1994
 - c. EDGES AND UNDIMENSIONED DETAILS PER ISO13715
 - d. CORNERS SHOWN AS SHARP TO BE R 0.2 MAX.
 - e. LETTERING SHALL BE 0.15 MAX RAISED IN 0.25 MAX RECESS PAD. THIS INCLUDES RECYCLING CODE, CAVITY ID, VENDOR IDENTIFICATION, AND CUSTOMER MATERIAL NUMBER.
 - f. VISUAL DEFECTS SHALL MEET COSMETIC STANDARD PS-45499-002 (Class B)
 - g. LASER MARKING: TBD

INSPECTION NUMBER LOG
LAST NUMBER USED: 5
ADDED:
REMOVED: 2

W6	ADD NEW P/N 33471-0497
W5	ADD NEW P/N 33471-0496
W4	ADD NEW P/N 33471-0495
W3	UPDATED THE DRAWING FRAME
W2	ADD NEW P/N 33471-0494
W1	ADD NEW P/N 33471-0493
W	REMOVE THE 33471-0489 CPA
REV	DESCRIPTION

FUNCTIONAL SYMBOLS FA = 0 FC = 0 FD = 0	THIS DRAWING CONTAINS INFORMATION THAT IS PROPRIETARY TO MOLEX ELECTRONIC TECHNOLOGIES, LLC AND SHOULD NOT BE USED WITHOUT WRITTEN PERMISSION		CURRENT REV DESC: SEE REVISION TABLE	
	DIMENSION UNITS	SCALE		
	mm	2:1		
	GENERAL TOLERANCES (UNLESS SPECIFIED)			
DIVISIONAL SYMBOLS	ANGULAR TOL	± 3.0°		
	4 PLACES	±	EC NO: 674870	
	3 PLACES	±	DRWN: SCV	2021/08/23
	2 PLACES	± 0.1	CHK'D: GGA	2021/08/27
1 PLACE	± 0.3	APPR: GGA	2021/08/27	
0 PLACES	±	INITIAL REVISION:		
DRAFT WHERE APPLICABLE MUST REMAIN WITHIN DIMENSIONS		THIRD ANGLE PROJECTION	DRAWING	SERIES
			D-SIZE	33471
		MATERIAL NUMBER	CUSTOMER	SHEET NUMBER
		SEE BOM	GENERAL MARKET	1 OF 6

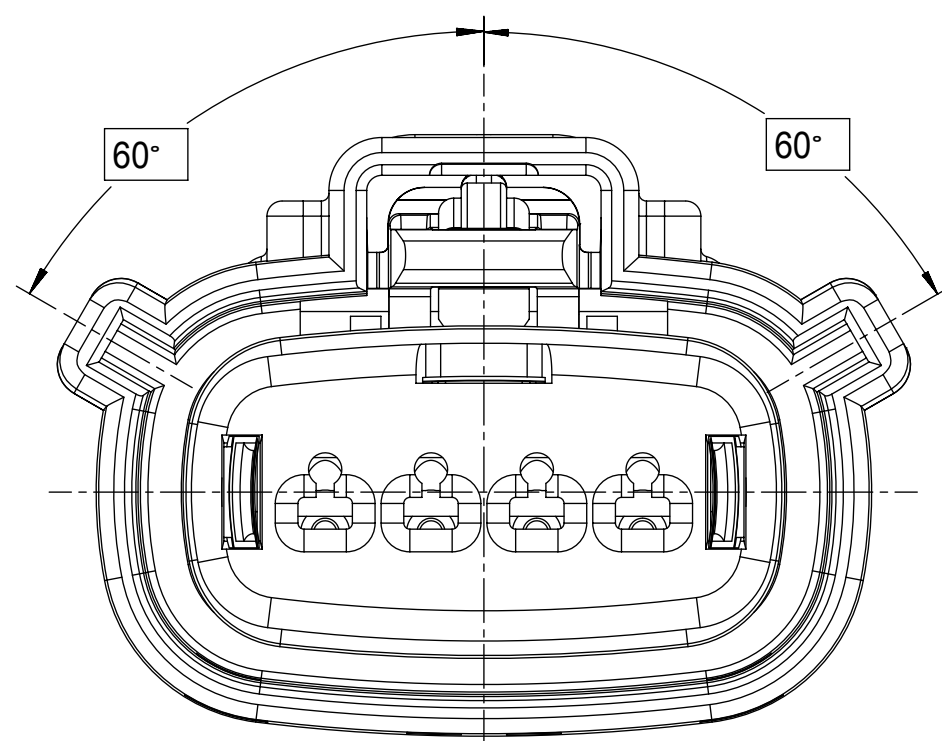
molex

MX150 1X4 RECEPTACLE SEALED ASSEMBLY MAT SEAL

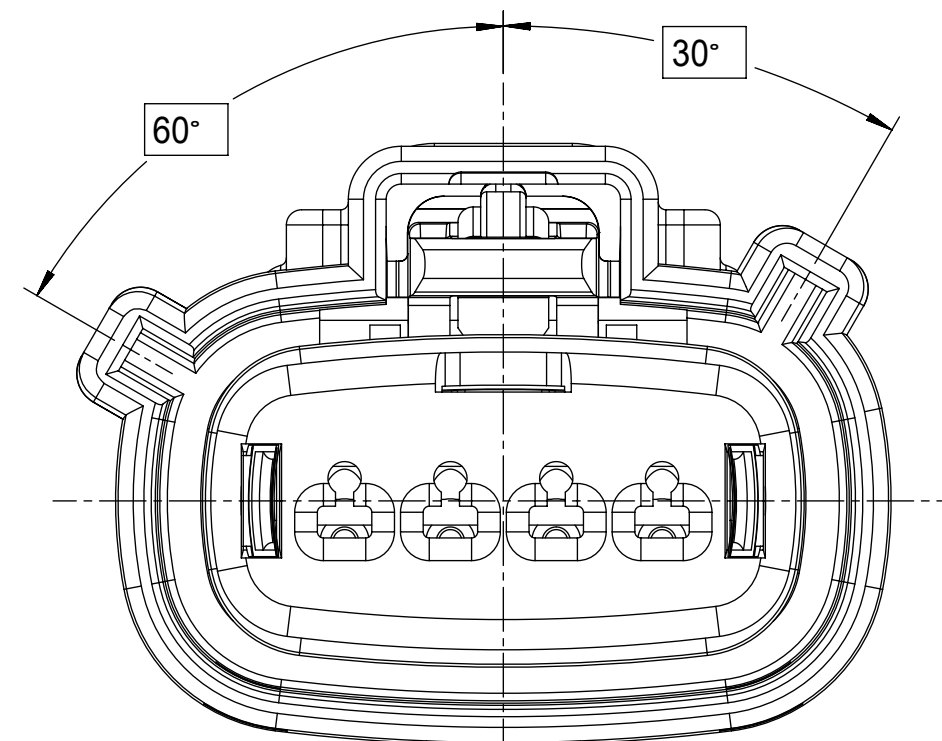
PRODUCT CUSTOMER DRAWING

DOCUMENT NUMBER	DOC TYPE	DOC PART	REVISION
SD-33471-041	PSD	002	W6

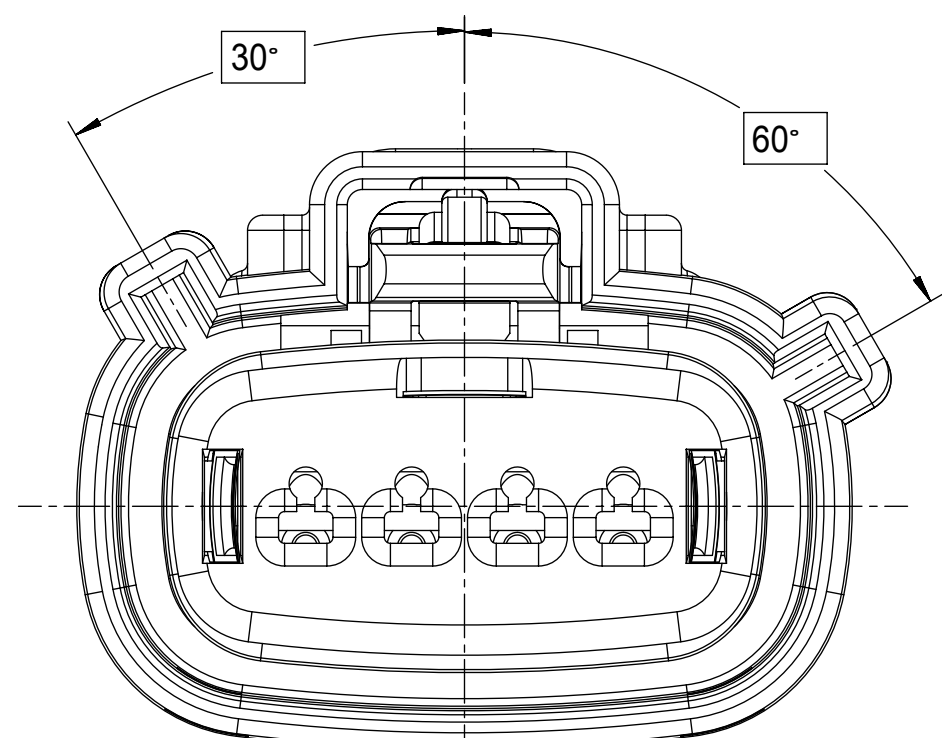
KEY CONFIGURATIONS



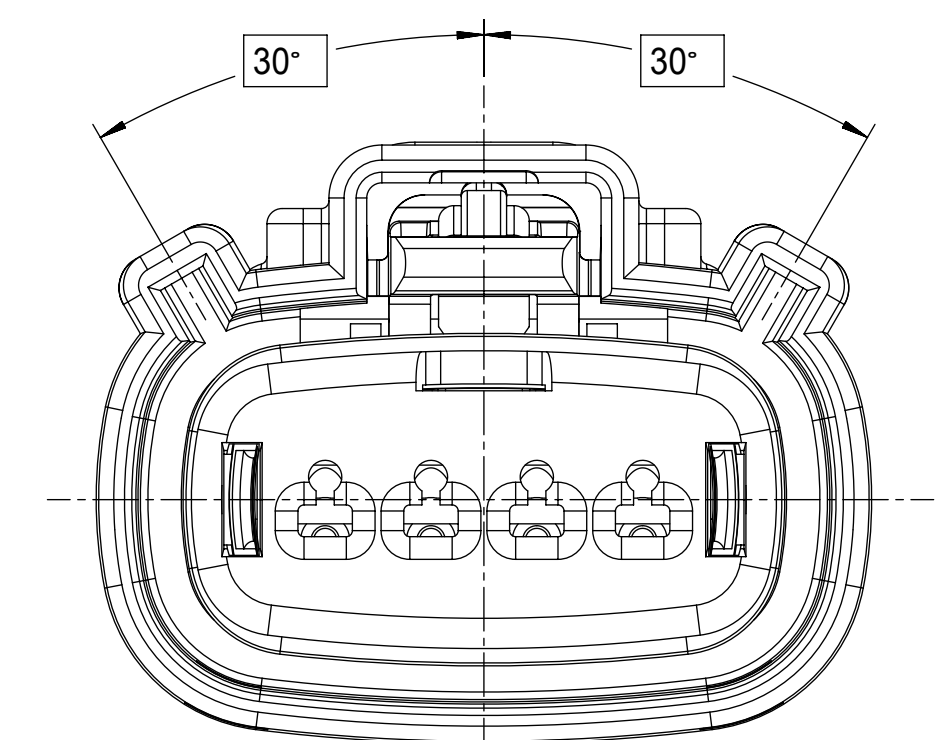
KEY A



KEY B



KEY C



KEY D

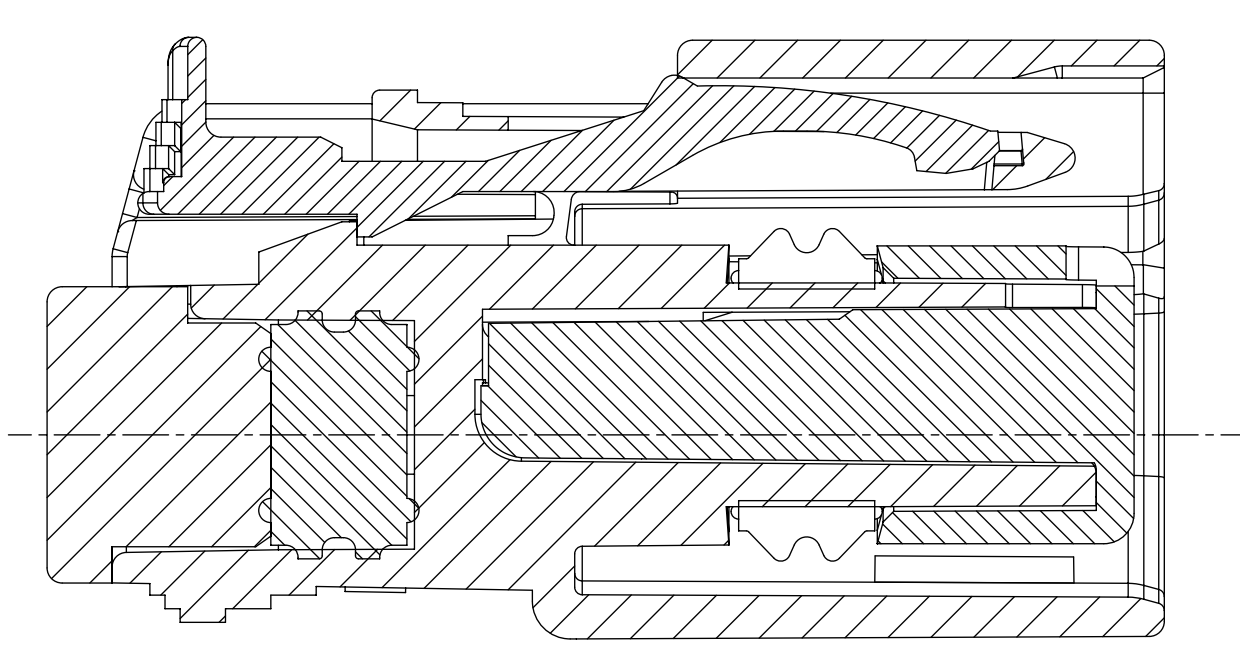
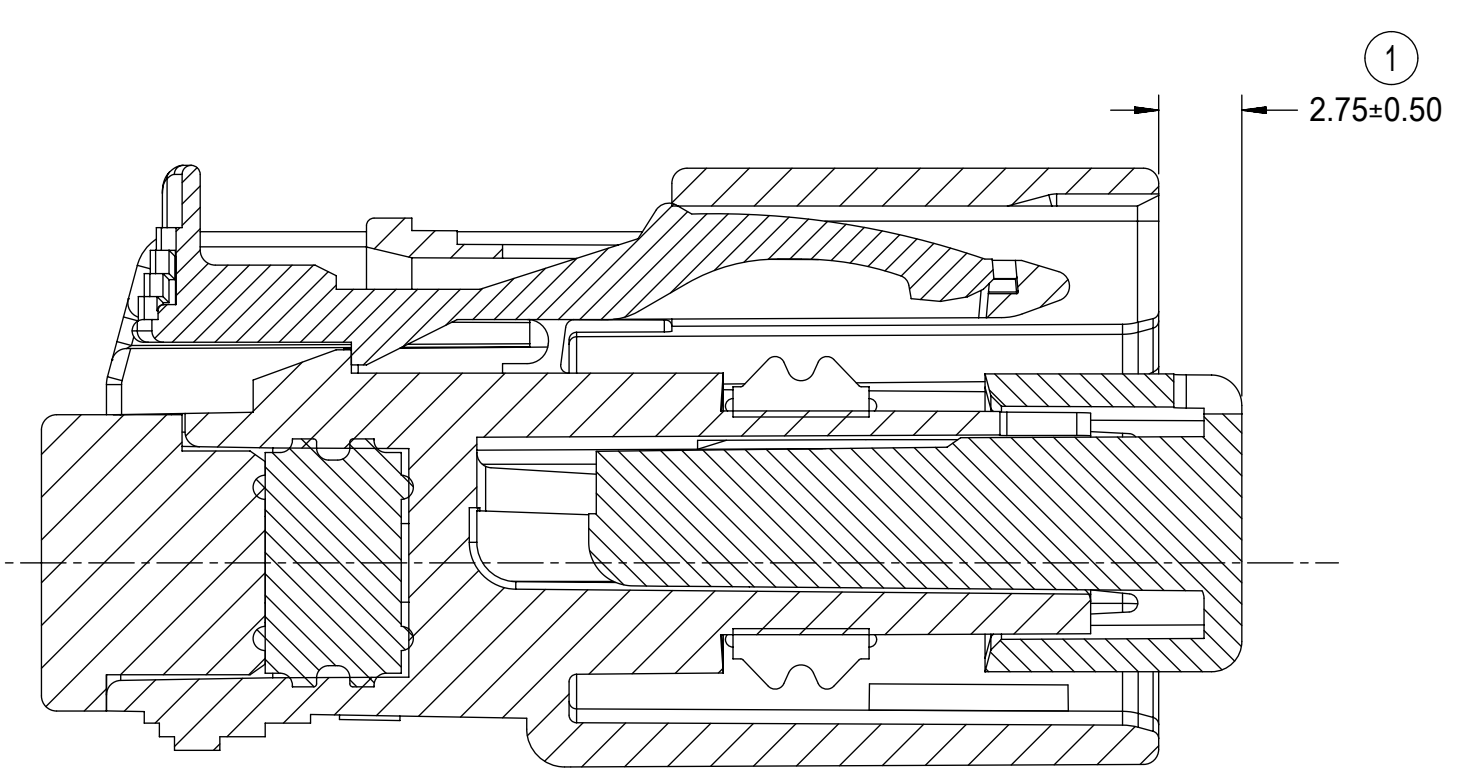
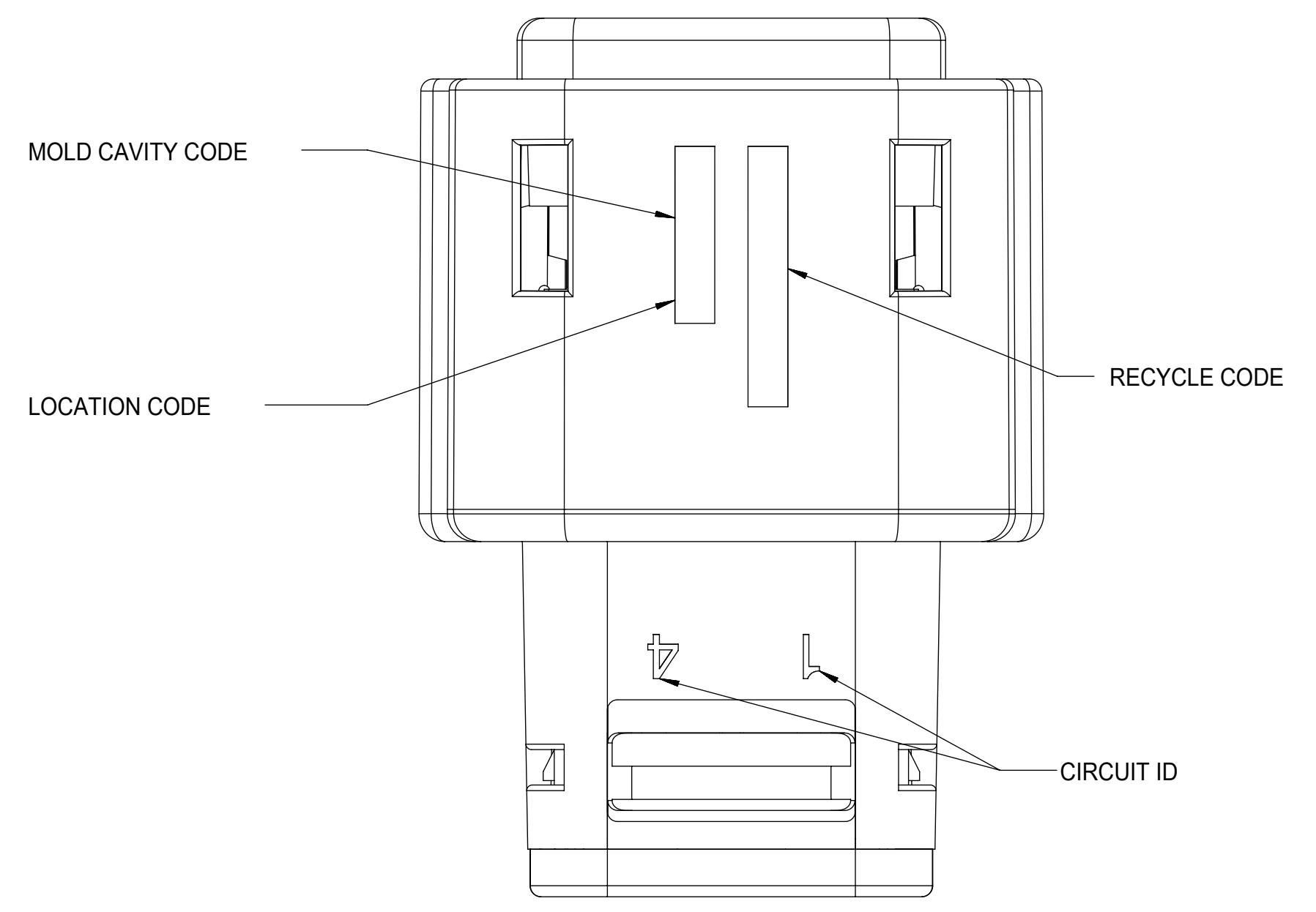
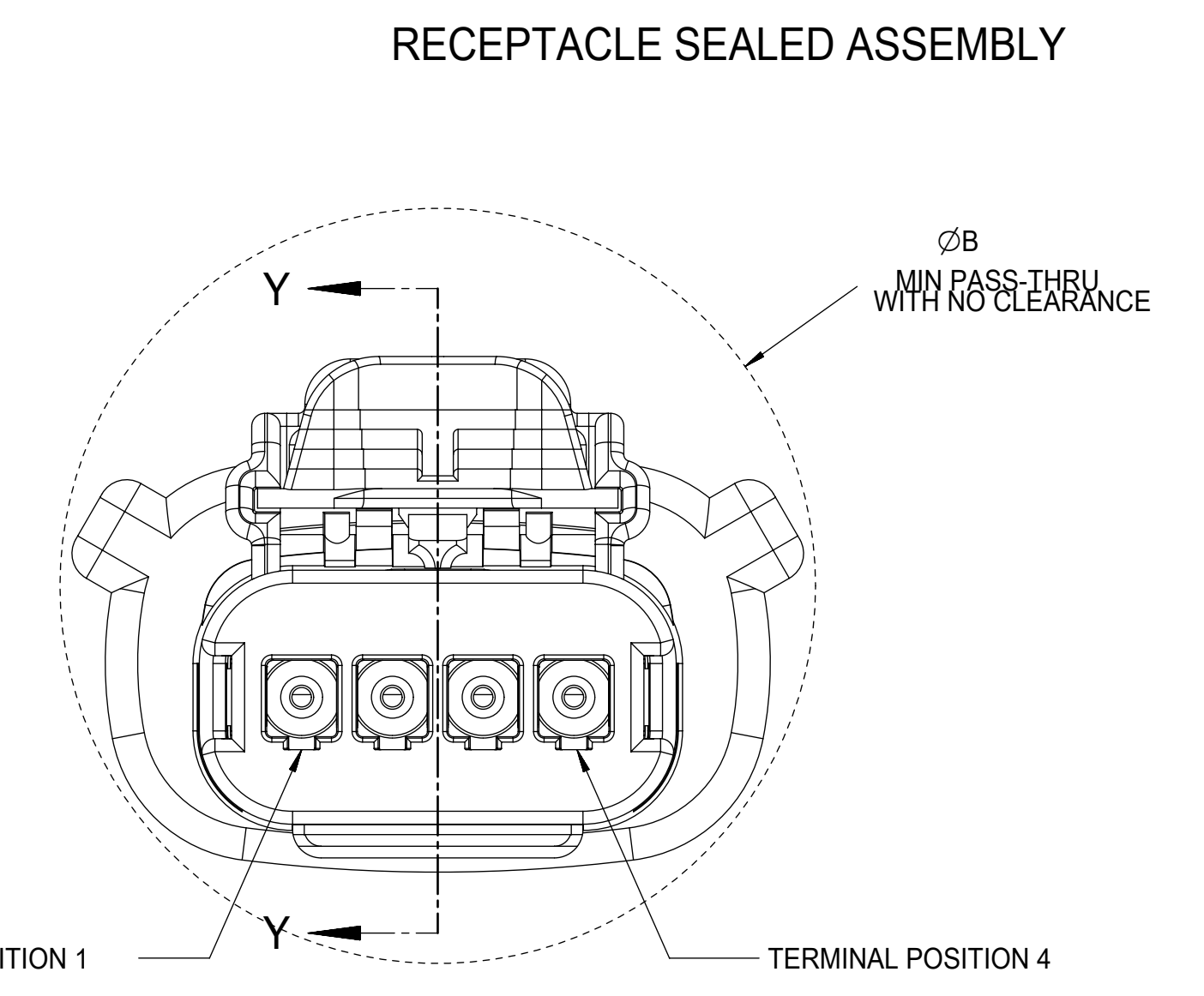
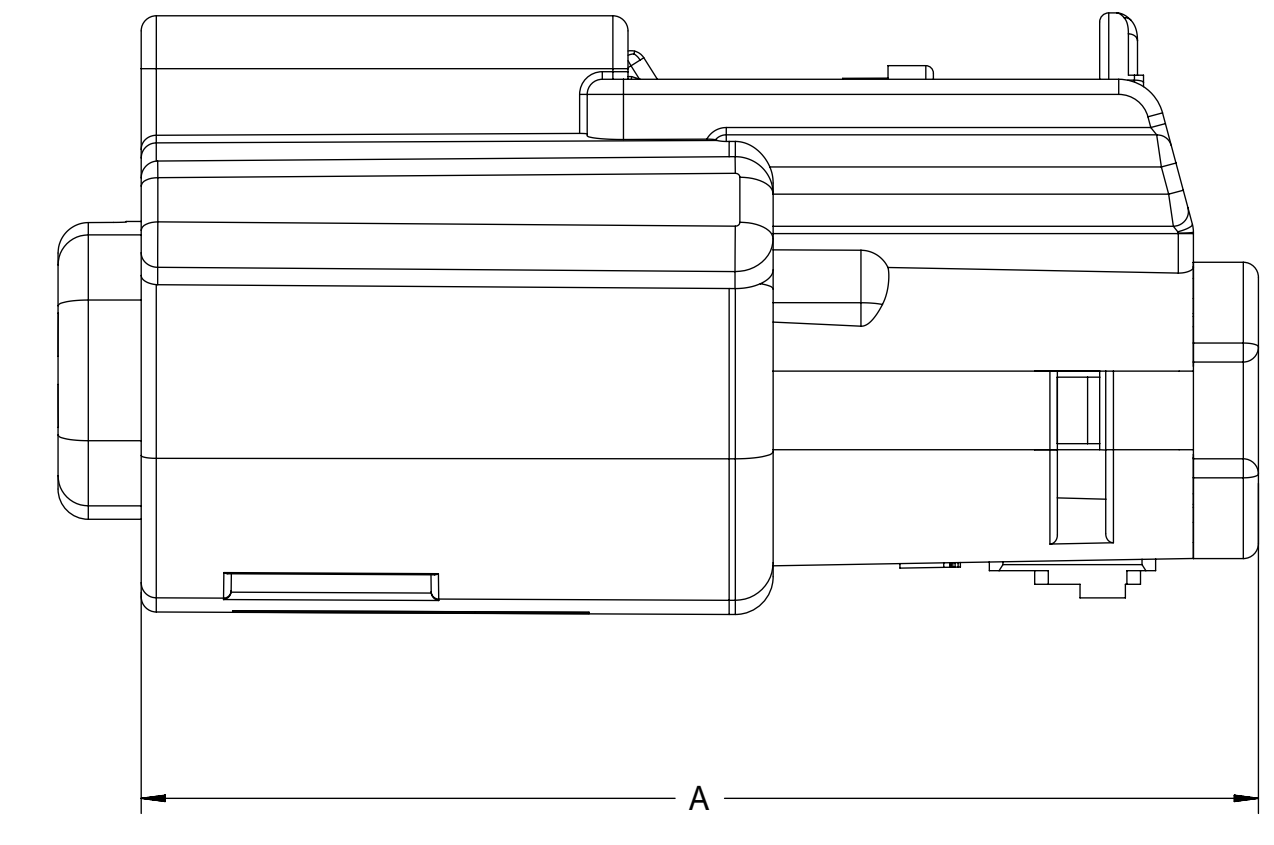
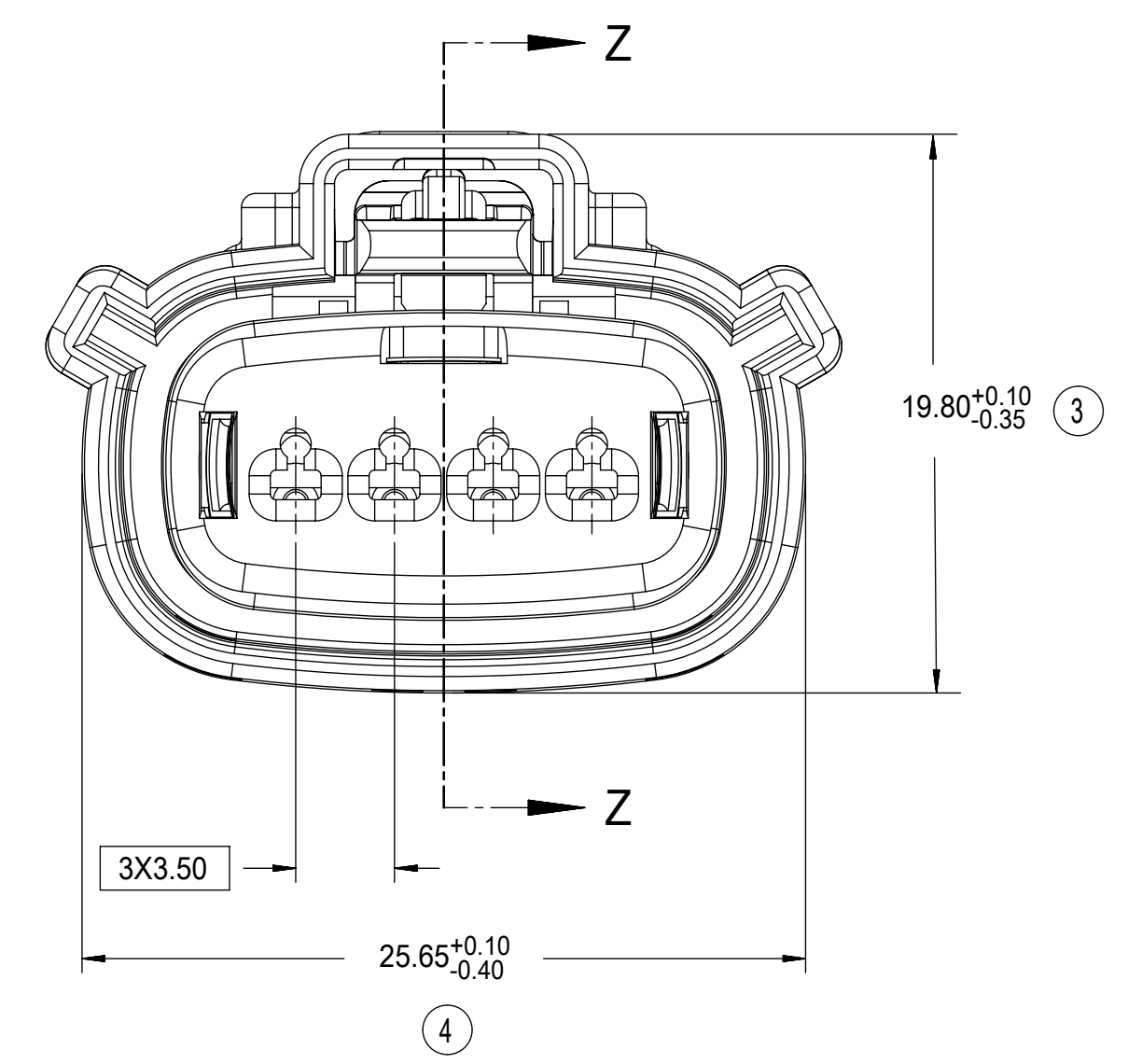
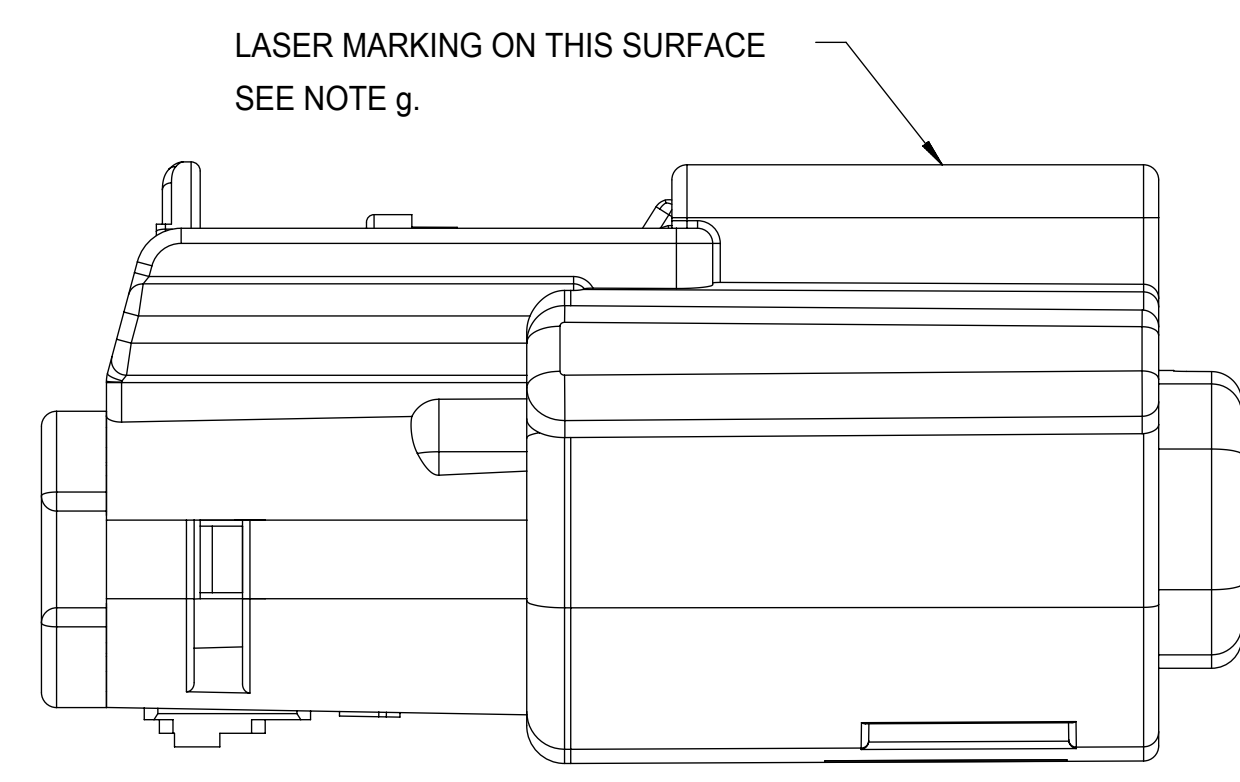
FUNCTIONAL SYMBOLS	THIS DRAWING CONTAINS INFORMATION THAT IS PROPRIETARY TO MOLEX ELECTRONIC TECHNOLOGIES, LLC AND SHOULD NOT BE USED WITHOUT WRITTEN PERMISSION		
	DIMENSION UNITS	SCALE	CURRENT REV DESC: SEE REVISION TABLE
$\nabla_A = 0$	mm	4:1	EC NO: 674870 DRWN: SCV 2021/08/23 CHK'D: GGA 2021/08/27 APPR: GGA 2021/08/27 INITIAL REVISION: DRWN: DGRIFITHS 2010/03/31 APPR: VKOSHY 2010/04/06
$\nabla_C = 0$	GENERAL TOLERANCES (UNLESS SPECIFIED)		
$\nabla_D = 0$	ANGULAR TOL $\pm 3.0^\circ$		
DIVISIONAL SYMBOLS	4 PLACES	\pm	
	3 PLACES	\pm	
	2 PLACES	± 0.1	
	1 PLACE	± 0.3	
	0 PLACES	\pm	
DRAFT WHERE APPLICABLE MUST REMAIN WITHIN DIMENSIONS		THIRD ANGLE PROJECTION	DRAWING D-SIZE SERIES 33471 MATERIAL NUMBER SEE BOM CUSTOMER GENERAL MARKET SHEET NUMBER 2 OF 6

molex

MX150 1X4 RECEPTACLE
SEALED ASSEMBLY MAT SEAL

PRODUCT CUSTOMER DRAWING

DOCUMENT NUMBER	DOC TYPE	DOC PART	REVISION
SD-33471-041	PSD	002	W6



CHARTED DIMENSIONS		
CONFIGURATION	A	B
MX150 1X4 RECPT SEALED ASSY - STANDARD	36.95 ±0.70	29.14
MX150 1X4 RECPT SEALED ASSY - ERGO	36.95 ±0.90	29.33
MX150 1X4 RECPT SEALED ASSY - SHORTING (SHRT) BAR	36.95 ±0.70	29.14

FUNCTIONAL SYMBOLS FA = 0 FE = 0 FP = 0 DIVISIONAL SYMBOLS	THIS DRAWING CONTAINS INFORMATION THAT IS PROPRIETARY TO MOLEX ELECTRONIC TECHNOLOGIES, LLC AND SHOULD NOT BE USED WITHOUT WRITTEN PERMISSION DIMENSION UNITS: mm SCALE: 4:1		CURRENT REV DESC: SEE REVISION TABLE	
	GENERAL TOLERANCES (UNLESS SPECIFIED) ANGULAR TOL ± 3.0°		EC NO: 674870 DRWN: SCV 2021/08/23 CHK'D: GGA 2021/08/27 APPR: GGA 2021/08/27	
	4 PLACES ± 3 PLACES ± 2 PLACES ± 0.1 1 PLACE ± 0.3 0 PLACES ±		INITIAL REVISION: DRWN: DGRIFITHS 2010/03/31 APPR: VKOSHY 2010/04/06	
	DRAFT WHERE APPLICABLE MUST REMAIN WITHIN DIMENSIONS		THIRD ANGLE PROJECTION 	
DOCUMENT STATUS P1 RELEASE DATE 2021/08/27 04:44:52		MOLEX MX150 1X4 RECEPTACLE SEALED ASSEMBLY MAT SEAL PRODUCT CUSTOMER DRAWING		
SD-33471-041		DOCUMENT NUMBER: SD-33471-041 DOC TYPE: PSD DOC PART: 002 REVISION: W6		
D-SIZE 33471		MATERIAL NUMBER: SEE BOM CUSTOMER: GENERAL MARKET SHEET NUMBER: 3 OF 6		

ASSEMBLY DESCRIPTION	ASSEMBLY PART NUMBER	A	B	C	D	C	C	D	GCO	GCP	GCEO	GCEP	P	PS	M	CPA	1	2	3	4	STATUS	COMMENTS	
VOID KEY	33471-0440																						
KEY D W/ SHRT. BAR, GREEN	33471-0439				D				GCO					PS	M						NOT RECOMMENDED	SEE P/N 33471-0481	
KEY C W/ SHRT. BAR, BROWN	33471-0438				C				GCO					PS	M						NOT RECOMMENDED	SEE P/N 33471-0480	
KEY B W/ SHRT. BAR, LT. GRAY	33471-0437			B					GCO					PS	M								
KEY A W/ SHRT. BAR, BLACK	33471-0436	A							GCO					PS	M						SALEABLE		
VOID KEY	33471-0435																						
KEY D W/O MAT SEAL, GREEN	33471-0434				D				GCO					P							NOT RECOMMENDED	SEE P/N 33471-0479	
KEY C W/O MAT SEAL, BROWN	33471-0433				C				GCO					P							NOT RECOMMENDED	SEE P/N 33471-0478	
KEY B W/O MAT SEAL, LT. GRAY	33471-0432			B					GCO					P							NOT VALIDATED	NOT VALIDATED	
KEY A W/O MAT SEAL, BLACK	33471-0431	A							GCO					P							SALEABLE	NOT VALIDATED	
VOID KEY	33471-0430																						
KEY D W/ CPA, GREEN	33471-0429				D				GCP					P	M	CPA	1			4	NOT RECOMMENDED	SEE P/N 33471-0477	
KEY C W/ CPA, BROWN	33471-0428				C				GCP					P	M	CPA	1			4	NOT RECOMMENDED	SEE P/N 33471-0476	
KEY B W/ CPA, LT. GRAY	33471-0427			B					GCP					P	M	CPA	1			4			
KEY A W/ CPA, BLACK	33471-0426	A							GCP					P	M	CPA	1			4	SALEABLE		
VOID KEY	33471-0425																						
KEY D, GREEN	33471-0424				D				GCP					P	M						4	NOT RECOMMENDED	SEE P/N 33471-0475
KEY C, BROWN	33471-0423				C				GCP					P	M						4	NOT RECOMMENDED	SEE P/N 33471-0474
KEY B, LT. GRAY	33471-0422			B					GCP					P	M						4		
KEY A, BLACK	33471-0421	A							GCP					P	M						4	SALEABLE	
VOID KEY	33471-0420																						
KEY D W/ CPA, GREEN	33471-0419				D				GCP					P	M	CPA					4	NOT RECOMMENDED	SEE P/N 33471-0473
KEY C W/ CPA, BROWN	33471-0418				C				GCP					P	M	CPA					4	NOT RECOMMENDED	SEE P/N 33471-0472
KEY B W/ CPA, LT. GRAY	33471-0417			B					GCP					P	M	CPA					4		
KEY A W/ CPA, BLACK	33471-0416	A							GCP					P	M	CPA					4	SALEABLE	
VOID KEY	33471-0415																						
KEY D, GREEN	33471-0414				D				GCP					P	M						4	NOT RECOMMENDED	SEE P/N 33471-0471
KEY C, BROWN	33471-0413				C				GCP					P	M						4	NOT RECOMMENDED	SEE P/N 33471-0470
KEY B, LT. GRAY	33471-0412			B					GCP					P	M						4		
KEY A, BLACK	33471-0411	A							GCP					P	M						4	SALEABLE	
KEY C W/ CPA, BLACK	33471-0410					C			GCO					P	M	CPA							
KEY D W/ CPA, GREEN	33471-0409				D				GCO					P	M	CPA						NOT RECOMMENDED	SEE P/N 33471-0465
KEY C W/ CPA, BROWN	33471-0408				C				GCO					P	M	CPA						NOT RECOMMENDED	SEE P/N 33471-0464
KEY B W/ CPA, LT. GRAY	33471-0407			B					GCO					P	M	CPA							
KEY A W/ CPA, BLACK	33471-0406	A							GCO					P	M	CPA						SALEABLE	
VOID KEY	33471-0405																						
KEY D, GREEN	33471-0404				D				GCO					P	M							NOT RECOMMENDED	SEE P/N 33471-0463
KEY C, BROWN	33471-0403				C				GCO					P	M							NOT RECOMMENDED	SEE P/N 33471-0462
KEY B, LT. GRAY	33471-0402			B					GCO					P	M								
KEY A, BLACK	33471-0401	A							GCO					P	M							SALEABLE	

DESCRIPTION	COLOR	MATERIAL
RING SEAL	BURNT ORANGE	INHERENTLY LUBRICATED SILICONE
CPA	BRIGHT RED	PBT GF30
MAT SEAL	LIGHT BLUE	INHERENTLY LUBRICATED SILICONE
SHORTING BAR PLR	NATURAL	SPS/NYLON GF20
STANDARD PLR	NATURAL	SPS/NYLON GF20
ERGONOMIC GROMMET CAP, PLUGGED	BLACK	SPS/NYLON GF20
ERGONOMIC GROMMET CAP, OPEN	BLACK	SPS/NYLON GF20
STANDARD GROMMET CAP, PLUGGED	BLACK	SPS/NYLON GF20
STANDARD GROMMET CAP, OPEN	BLACK	SPS/NYLON GF20
HOUSING KEYING OPTION D	STONE GRAY	SPS/NYLON GF20
HOUSING KEYING OPTION C	DARK GRAY	SPS/NYLON GF20
HOUSING KEYING OPTION C	BLACK	SPS/NYLON GF20
HOUSING KEYING OPTION D	GREEN	SPS/NYLON GF20
HOUSING KEYING OPTION C	BROWN	SPS/NYLON GF20
HOUSING KEYING OPTION B	LIGHT GRAY	SPS/NYLON GF20
HOUSING KEYING OPTION A	BLACK	SPS/NYLON GF20

BOM/APPLICABLE COMPONENTS TABLE

ABREVIATION	COMPONENT
A	HOUSING KEY A
B	HOUSING KEY B
C	HOUSING KEY C
D	HOUSING KEY D
GCO	GROMMET CAP, STANDARD, OPEN
GCP	GROMMET CAP, STANDARD, PLUGGED
GCEO	GROMMET CAP, ERGONOMIC, OPEN
GCEP	GROMMET CAP, ERGONOMIC, PLUGGED
M	MAT SEAL
P	PLR, STANDARD
PS	PLR, SHRT. BAR LIFTER
R	RING SEAL
CPA	CPA

FUNCTIONAL SYMBOLS	THIS DRAWING CONTAINS INFORMATION THAT IS PROPRIETARY TO MOLEX ELECTRONIC TECHNOLOGIES, LLC AND SHOULD NOT BE USED WITHOUT WRITTEN PERMISSION
FA = 0	DIMENSION UNITS: mm
FC = 0	SCALE
FP = 0	CURRENT REV DESC: SEE REVISION TABLE
DIVISIONAL SYMBOLS	GENERAL TOLERANCES (UNLESS SPECIFIED)
	ANGULAR TOL ± 3.0°
	4 PLACES ±
	3 PLACES ±
	2 PLACES ± 0.1
	1 PLACE ± 0.3
	0 PLACES ±
	DRAFT WHERE APPLICABLE MUST REMAIN WITHIN DIMENSIONS
	THIRD ANGLE PROJECTION
	DRAWING SERIES
	D-SIZE 33471
	MATERIAL NUMBER CUSTOMER
	SEE BOM GENERAL MARKET
	SHEET NUMBER
	4 OF 6

molex			
MX150 1X4 RECEPTACLE SEALED ASSEMBLY MAT SEAL			
PRODUCT CUSTOMER DRAWING			
DOCUMENT NUMBER	DOC TYPE	DOC PART	REVISION
SD-33471-041	PSD	002	W6

ASSEMBLY DESCRIPTION	ASSEMBLY PART NUMBER	A	B	C	D	C	C	D	GCO	GCP	GCEO	GCEP	P	PS	M	CPA	1	2	3	4	STATUS	COMMENTS				
KEY C W/ SHRT. BAR, DARK GRAY	33471-0480								C	GCO					PS	M						SALEABLE				
KEY D W/O MAT SEAL, STONE GRAY	33471-0479								D	GCO					P							SALEABLE				
KEY C W/O MAT SEAL, DARK GRAY	33471-0478								C	GCO					P							SALEABLE				
KEY D W/ CPA, STONE GRAY	33471-0477								D		GCP				P	M	CPA	1			4	SALEABLE				
KEY C W/ CPA, DARK GRAY	33471-0476								C		GCP				P	M	CPA	1			4	SALEABLE				
KEY D, STONE GRAY	33471-0475								D		GCP				P	M		1			4	SALEABLE				
KEY C, DARK GRAY	33471-0474								C		GCP				P	M		1			4	SALEABLE				
KEY D W/ CPA, STONE GRAY	33471-0473								D		GCP				P	M	CPA				4	SALEABLE				
KEY C W/ CPA, DARK GRAY	33471-0472								C		GCP				P	M	CPA				4	SALEABLE				
KEY D, STONE GRAY	33471-0471								D		GCP				P	M					4	SALEABLE				
KEY C, DARK GRAY	33471-0470								C		GCP				P	M					4	SALEABLE				
KEY A, BLACK	33471-0469	A									GCP				P	M					2	4	SALEABLE			
KEY B, W/ CPA, LIGHT GRAY	33471-0468		B								GCP				P	M	CPA				2					
KEY A, BLACK	33471-0467	A									GCP				P	M						3	4	SALEABLE		
KEY B, LIGHT GRAY	33471-0466		B								GCP				P	M		1	2							
KEY D W/ CPA, STONE GRAY	33471-0465								D	GCO					P	M	CPA									
KEY C W/ CPA, DARK GRAY	33471-0464								C	GCO					P	M	CPA									
KEY D, STONE GRAY	33471-0463								D	GCO					P	M										
KEY C, DARK GRAY	33471-0462								C	GCO					P	M										
KEY A W/ CPA & ERGO. CAP, BLACK	33471-0461	A								GCEO					P	M	CPA									
VOID KEY	33471-0460																									
KEY A, BLACK	33471-0459	A									GCP				P	M					3					
KEY A W/ SHRT. BAR, BLACK	33471-0458	A									GCP				PS	M		1			4					
KEY D W/ SHRT. BAR, GREEN	33471-0457							D			GCP				PS	M					4				NOT RECOMMENDED	SEE P/N 33471-0488
VOID KEY	33471-0456																									
KEY D W/ SHRT. BAR, GREEN	33471-0455							D			GCP				PS	M		1	2	3	4				NOT RECOMMENDED	SEE P/N 33471-0487
KEY C W/ SHRT. BAR, BROWN	33471-0454						C				GCP				PS	M		1	2	3	4				NOT RECOMMENDED	SEE P/N 33471-0486
KEY B W/ SHRT. BAR, LT. GRAY	33471-0453		B								GCP				PS	M		1	2	3	4					
KEY A W/ SHRT. BAR, BLACK	33471-0452	A									GCP				PS	M		1	2	3	4					SALEABLE
KEY A W/ SHRT. BAR, BLACK	33471-0451	A									GCP				PS	M					3	4				SALEABLE
VOID KEY	33471-0450																									
KEY D W/ CPA & SHRT. BAR, GREEN	33471-0449							D			GCO				PS	M	CPA								NOT RECOMMENDED	SEE P/N 33471-0485
KEY C W/ CPA & SHRT. BAR, BROWN	33471-0448						C				GCO				PS	M	CPA								NOT RECOMMENDED	SEE P/N 33471-0484
KEY B W/ CPA & SHRT. BAR, LT. GRAY	33471-0447		B								GCO				PS	M	CPA									
KEY A W/ CPA & SHRT. BAR, BLACK	33471-0446	A									GCO				PS	M	CPA									SALEABLE
VOID KEY	33471-0445																									
KEY D, GREEN	33471-0444							D			GCP				P	M		1	2	3	4				NOT RECOMMENDED	SEE P/N 33471-0483
KEY C, BROWN	33471-0443						C				GCP				P	M		1	2	3	4				NOT RECOMMENDED	SEE P/N 33471-0482
KEY B, LT. GRAY	33471-0442		B								GCP				P	M		1	2	3	4					
KEY A, BLACK	33471-0441	A									GCP				P	M		1	2	3	4					SALEABLE

DESCRIPTION	COLOR	MATERIAL
RING SEAL	BURNT ORANGE	INHERENTLY LUBRICATED SILICONE
CPA	BRIGHT RED	PBT GF30
MAT SEAL	LIGHT BLUE	INHERENTLY LUBRICATED SILICONE
SHORTING BAR PLR	NATURAL	SPS/NYLON GF20
STANDARD PLR	NATURAL	SPS/NYLON GF20
ERGONOMIC GROMMET CAP, PLUGGED	BLACK	SPS/NYLON GF20
ERGONOMIC GROMMET CAP, OPEN	BLACK	SPS/NYLON GF20
STANDARD GROMMET CAP, PLUGGED	BLACK	SPS/NYLON GF20
STANDARD GROMMET CAP, OPEN	BLACK	SPS/NYLON GF20
HOUSING KEYING OPTION D	STONE GRAY	SPS/NYLON GF20
HOUSING KEYING OPTION C	DARK GRAY	SPS/NYLON GF20
HOUSING KEYING OPTION C	BLACK	SPS/NYLON GF20
HOUSING KEYING OPTION D	GREEN	SPS/NYLON GF20
HOUSING KEYING OPTION C	BROWN	SPS/NYLON GF20
HOUSING KEYING OPTION B	LIGHT GRAY	SPS/NYLON GF20
HOUSING KEYING OPTION A	BLACK	SPS/NYLON GF20

ABREVIATION	COMPONENT
A	HOUSING KEY A
B	HOUSING KEY B
C	HOUSING KEY C
D	HOUSING KEY D
GCO	GROMMET CAP, STANDARD, OPEN
GCP	GROMMET CAP, STANDARD, PLUGGED
GCEO	GROMMET CAP, ERGONOMIC, OPEN
GCEP	GROMMET CAP, ERGONOMIC, PLUGGED
M	MAT SEAL
P	PLR, STANDARD
PS	PLR, SHRT. BAR LIFTER
R	RING SEAL
CPA	CPA

FUNCTIONAL SYMBOLS	THIS DRAWING CONTAINS INFORMATION THAT IS PROPRIETARY TO MOLEX ELECTRONIC TECHNOLOGIES, LLC AND SHOULD NOT BE USED WITHOUT WRITTEN PERMISSION
FA = 0	DIMENSION UNITS: mm
FC = 0	SCALE
FP = 0	CURRENT REV DESC: SEE REVISION TABLE
DIVISIONAL SYMBOLS	GENERAL TOLERANCES (UNLESS SPECIFIED)
	ANGULAR TOL ± 3.0°
	4 PLACES ±
	3 PLACES ±
	2 PLACES ± 0.1
	1 PLACE ± 0.3
	0 PLACES ±
	DRAFT WHERE APPLICABLE MUST REMAIN WITHIN DIMENSIONS
	THIRD ANGLE PROJECTION
	DRAWING: D-SIZE
	SERIES: 33471
	EC NO: 674870
	DRWN: SCV 2021/08/23
	CHK'D: GGA 2021/08/27
	APPR: GGA 2021/08/27
	INITIAL REVISION: DRWN: DGRIFITHS 2010/03/31
	APPR: VKOSHY 2010/04/06
	DOCUMENT NUMBER: SD-33471-041
	DOC TYPE: PSD
	DOC PART: 002
	REVISION: W6
	MATERIAL NUMBER: SEE BOM
	CUSTOMER: GENERAL MARKET
	SHEET NUMBER: 5 OF 6

ASSEMBLY DESCRIPTION	ASSEMBLY PART NUMBER	A	B	C	D	C	C	D	A	GCO	GCP	GCEO	GCEP	P	PS	M	CPA	1	2	3	4	STATUS	COMMENTS
KEY A W/ CPA, BLACK	33471-0497										GCP			P	M	CPA				3	4	SALEABLE	
KEY A W/ CPA, BLACK	33471-0496										GCP			P	M	CPA		2	3	4	SALEABLE		
KEY A , BLACK	33471-0495										GCP			P	M		1				SALEABLE		
KEY B, LT.GRAY	33471-0494		B								GCP			P	M			2	3		SALEABLE		
KEY A W/ CPA, BLACK	33471-0493										GCP			P	M	CPA		2			SALEABLE		
KEY A W/ CPA & SHRT. BAR, YELLOW	33471-0492								A	GCO				PS	M	CPA					SALEABLE		
KEY A W/ CPA, YELLOW	33471-0491								A	GCO				P	M	CPA					SALEABLE		
KEY A W/ CPA, BLACK	33471-0490										GCP			P	M	CPA				3	SALEABLE		
KEY A , BLACK	33471-0489										GCP			P	M			2			SALEABLE		
KEY D W/ SHRT. BAR, STONE GRAY	33471-0488										GCP			PS	M						4	SALEABLE	
KEY D W/ SHRT. BAR, STONE GRAY	33471-0487										GCP			PS	M		1	2	3	4	SALEABLE		
KEY C W/ SHRT. BAR, DARK GRAY	33471-0486										GCP			PS	M		1	2	3	4	SALEABLE		
KEY D W/ CPA & SHRT. BAR, STONE GRAY	33471-0485										GCO			PS	M	CPA					SALEABLE		
KEY C W/ CPA & SHRT. BAR, DARK GRAY	33471-0484										GCO			PS	M	CPA					SALEABLE		
KEY D, STONE GRAY	33471-0483										GCP			P	M		1	2	3	4	SALEABLE		
KEY C, DARK GRAY	33471-0482										GCP			P	M		1	2	3	4	SALEABLE		
KEY D W/ SHRT. BAR, STONE GRAY	33471-0481										GCO			PS	M						SALEABLE		

DESCRIPTION	COLOR	MATERIAL
RING SEAL	BURNT ORANGE	INHERENTLY LUBRICATED SILICONE
CPA	BRIGHT RED	PBT GF30
MAT SEAL	LIGHT BLUE	INHERENTLY LUBRICATED SILICONE
SHORTING BAR PLR	NATURAL	SPS/NYLON GF20
STANDARD PLR	NATURAL	SPS/NYLON GF20
ERGONOMIC GROMMET CAP, PLUGGED	BLACK	SPS/NYLON GF20
ERGONOMIC GROMMET CAP, OPEN	BLACK	SPS/NYLON GF20
STANDARD GROMMET CAP, PLUGGED	BLACK	SPS/NYLON GF20
STANDARD GROMMET CAP, OPEN	BLACK	SPS/NYLON GF20
HOUSING KEYING OPTION A	YELLOW	SPS/NYLON GF20
HOUSING KEYING OPTION D	STONE GRAY	SPS/NYLON GF20
HOUSING KEYING OPTION C	DARK GRAY	SPS/NYLON GF20
HOUSING KEYING OPTION C	BLACK	SPS/NYLON GF20
HOUSING KEYING OPTION D	GREEN	SPS/NYLON GF20
HOUSING KEYING OPTION C	BROWN	SPS/NYLON GF20
HOUSING KEYING OPTION B	LIGHT GRAY	SPS/NYLON GF20
HOUSING KEYING OPTION A	BLACK	SPS/NYLON GF20

ABREVIATION	COMPONENT
A	HOUSING KEY A
B	HOUSING KEY B
C	HOUSING KEY C
D	HOUSING KEY D
GCO	GROMMET CAP, STANDARD, OPEN
GCP	GROMMET CAP, STANDARD, PLUGGED
GCEO	GROMMET CAP, ERGONOMIC, OPEN
GCEP	GROMMET CAP, ERGONOMIC, PLUGGED
M	MAT SEAL
P	PLR, STANDARD
PS	PLR, SHRT. BAR LIFTER
R	RING SEAL
CPA	CPA

FUNCTIONAL SYMBOLS	THIS DRAWING CONTAINS INFORMATION THAT IS PROPRIETARY TO MOLEX ELECTRONIC TECHNOLOGIES, LLC AND SHOULD NOT BE USED WITHOUT WRITTEN PERMISSION	CURRENT REV DESC: SEE REVISION TABLE	
FA = 0	DIMENSION UNITS: mm	SCALE	
FC = 0	GENERAL TOLERANCES (UNLESS SPECIFIED)		
FP = 0	ANGULAR TOL ± 3.0°	EC NO: 674870	
	4 PLACES ±	DRWN: SCV	2021/08/23
	3 PLACES ±	CHK'D: GGA	2021/08/27
	2 PLACES ± 0.1	APPR: GGA	2021/08/27
	1 PLACE ± 0.3	INITIAL REVISION:	
	0 PLACES ±	DRWN: DGRIFITHS	2010/03/31
		APPR: VKOSHY	2010/04/06
DRAFT WHERE APPLICABLE MUST REMAIN WITHIN DIMENSIONS	THIRD ANGLE PROJECTION	DRAWING	SERIES
		D-SIZE	33471
DOCUMENT STATUS	P1	RELEASE DATE	2021/08/27 04:44:52
SD-33471-041		PSD	002
SEE BOM		GENERAL MARKET	6 OF 6