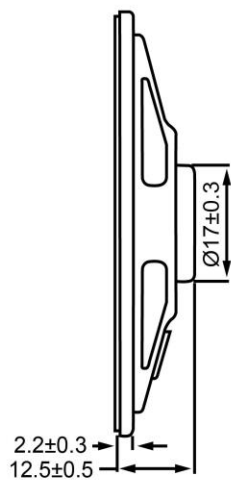
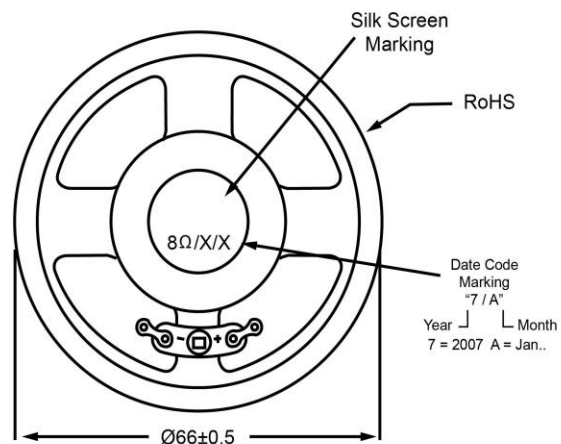



**SIDE VIEW**



**BOTTOM VIEW**



| Specifications        |             |       | Notes  | Revision History       |                           |            |                   |             |          |
|-----------------------|-------------|-------|--|------------------------|---------------------------|------------|-------------------|-------------|----------|
| Description           | Value       | Unit  |  | Version                | Description               |            | Date              | Approved    |          |
| Shape                 | Round       |       | 1) All dimensions are in mm unless otherwise noted<br>2) All parts meet RoHS<br><br> | 1                      | Released from Engineering |            | 2/5/2014          | J.S         |          |
| Resonant Frequency    | 380         | (Hz)  |  |                        |                           |            |                   |             |          |
| Frequency Range       | 380 ~ 4,000 | (Hz)  |  |                        |                           |            |                   |             |          |
| SPL @ 10cm            | 95          | (dBA) |  |                        |                           |            |                   |             |          |
| Impedance             | 8           | (Ohm) |  |                        |                           |            |                   |             |          |
| Cone Material         | Paper       |       |  |                        |                           |            |                   |             |          |
| Nominal Power         | 0.5         | (W)   |  |                        |                           |            |                   |             |          |
| Max Power             | 0.8         | (W)   |  |                        |                           |            |                   |             |          |
| Mount Type            | Flush Mount |       |  |                        |                           |            |                   |             |          |
| Operating Temperature | - 20 ~ + 55 | °C    |  |                        |                           |            |                   |             |          |
| Storage Temperature   | - 20 ~ + 55 | °C    |  |                        |                           |            |                   |             |          |
| Weight                | 17.2        | (g)   |  |                        |                           |            |                   |             |          |
| <b>DB UNLIMITED</b>   |             |       |  | <b>Dynamic Speaker</b> |                           |            | <b>SP660308-1</b> |             |          |
|                       |             |       |  | Drawn by               | Date                      | Checked by | Date              | Approved by | Date     |
|                       |             |       |  | G.W.                   | 10/31/2013                | C.E.       | 10/21/2013        | J.S         | 2/5/2014 |