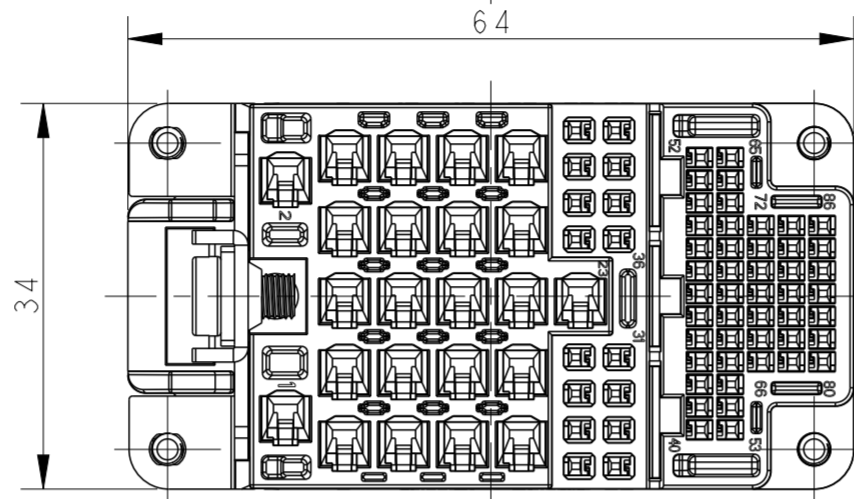
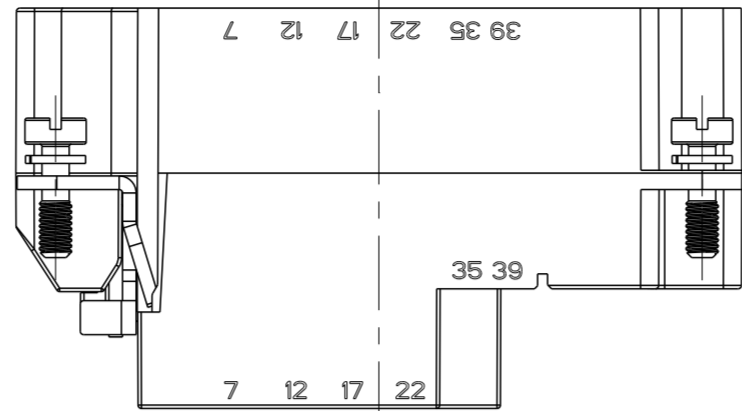
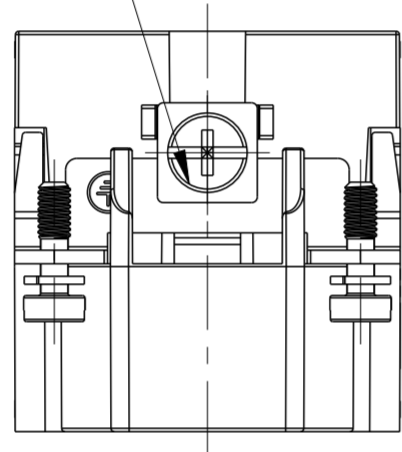
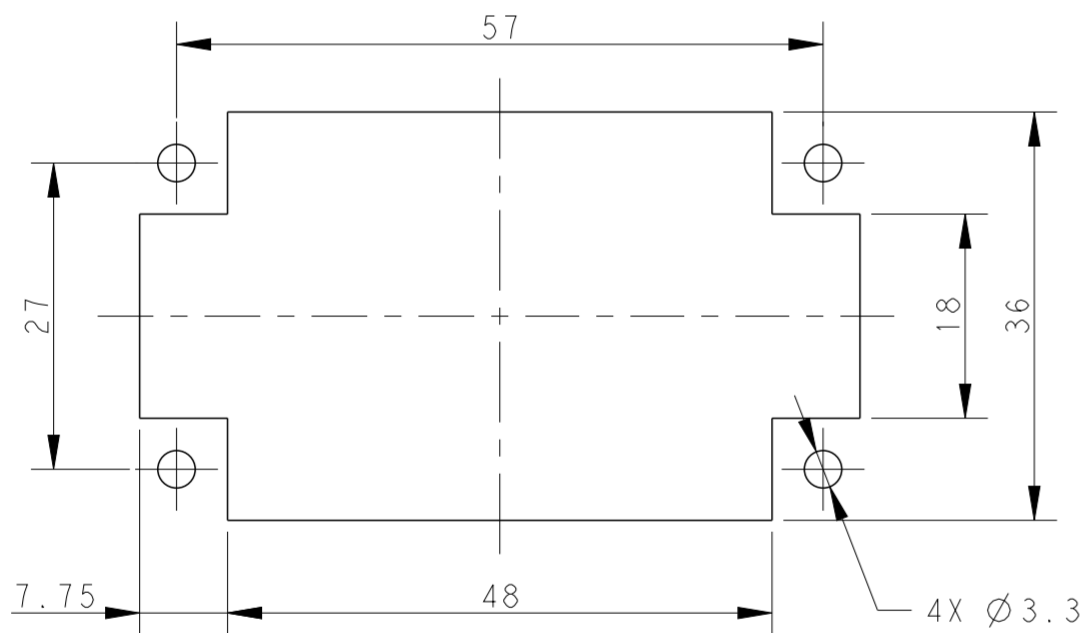
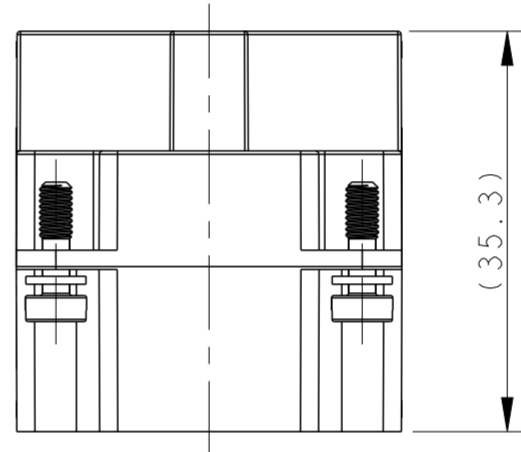
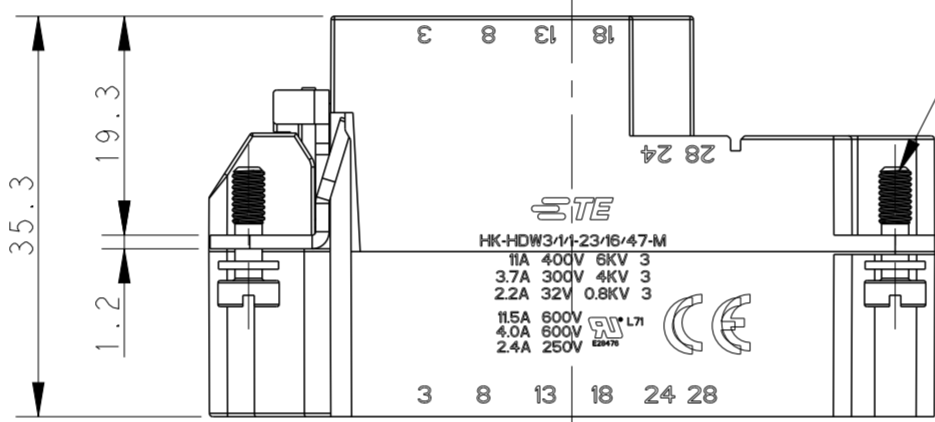


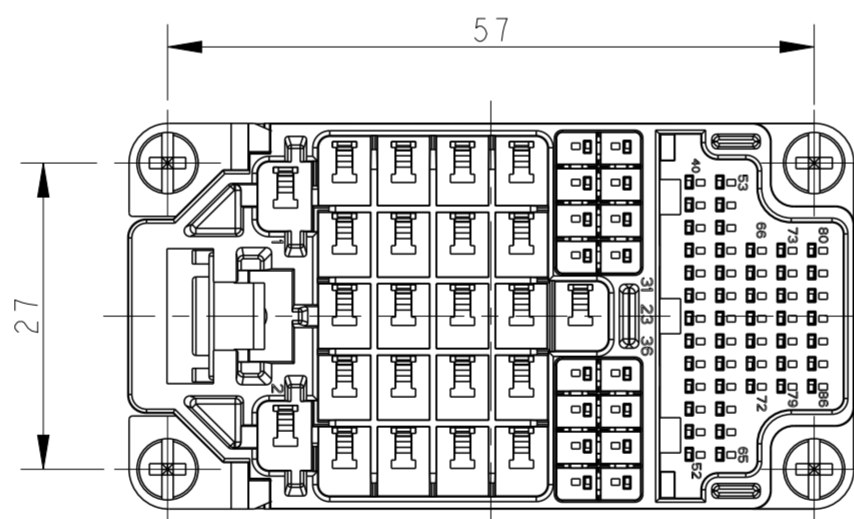
M4 SCREW, RECOMMENDED  
TIGHTENING TORQUE 1.2Nm  
M4螺丝, 推荐锁紧力矩1.2Nm



4X M3 SCREW RECOMMENDED  
TIGHTENING TORQUE 0.5Nm  
4X M3螺丝, 推荐锁紧力矩0.5Nm



PANEL CUT OUT FOR INSERTS FOR USING  
WITHOUT HOODS/HOUSINGS  
不使用防护外壳时芯件的安装开孔图



REVISIONS

P	LTR	DESCRIPTION	DATE	DWN	APVD
A1	ECR-20-005866		09JUL2020	DW	CW
A2	ECR-20-011267		10AUG2020	DW	CW
B	ECR-21-111798		15SEP2021	WOR	CW
C	ECR-22-186487		28DEC2022	DW	CW

NOTES:

- TECHNICAL CHARACTERISTICS:  
INSULATION MATERIAL: PBT, BLACK  
RATED VOLTAGE:  
POWER(23 POS): 400 V  
POWER(16 POS): 300 V  
SIGNAL(47 POS): 32 V  
RATED CURRENT:  
POWER(23 POS): 11 A  
POWER(16 POS): 3.7 A  
SIGNAL(47 POS): 2.2 A  
INSULATION RESISTANCE: >=100MΩ  
RATED IMPULSE VOLTAGE:  
POWER(23 POS): 6 KV  
POWER(16 POS): 4 KV  
SIGNAL(47 POS): 0.8 KV  
POLLUTION DEGREE: 3  
FLAMMABILITY: UL94V-0  
MATING CYCLES: SEE TABLE 1  
OPERATION TEMPERATURE: -40°C~+125°C  
WIRE RANGE: SEE TABLE 1  
CONTACT TYPE: CRIMP CONTACT
- CONTACT NEED TO BE ORDERED SEPARATELY.  
(ORDER No. REFER TO DRAWING: SEE TABLE 1)

注释:

- 技术参数:  
绝缘材料: PBT, 黑色  
额定电压: 电源(23 POS): 400 V, 电源(16 POS): 300 V  
信号(47 POS): 32 V  
额定电流: 电源(23 POS): 11 A, 电源(16 POS): 3.7 A  
信号(47 POS): 2.2 A  
绝缘电阻: >=100MΩ  
额定脉冲电压: 电源(23 POS): 6 KV, 电源(16 POS): 4 KV  
信号(47 POS): 0.8 KV  
污染等级: 3  
阻燃等级: UL94V-0  
插拔次数: 见表格1  
工作温度: -40°C~+125°C  
接线范围: 见表格1  
接线类型: 冷压接
- 端子需要单独订购。  
(订货号参考图面: 见表格1)

TABLE I  
表格 I

SIGNAL (47 POS) 信号 (47 POS)	1.08-1.6	AWG28-22, 0.08-0.37SQmm	M	2316663-2	2316669-2	HD1 TAB CONTACT	500
	0.6-1.2	AWG30-28, 0.05-0.10SQmm	S	2316663-1	2316669-1		
POWER (16 POS) 电源 (16 POS)	1.4-2.2	AWG22-18, 0.34-0.87SQmm	2L	2316663-4	2316669-4		
	1.08-1.9	AWG28-22, 0.08-0.37SQmm	L	2316663-3	2316669-3		
	0.6-1.2	AWG30-28, 0.05-0.10SQmm	S	2316663-2	2316669-2	HD3 TAB CONTACT	500
POWER (23 POS) 电源 (23 POS)	3.1-3.8	AWG16-14, 1.25-2.20SQmm	3L	-	2316817-5		
	3.1-3.4	AWG16-14, 1.25-2.20SQmm	3L	2316815-5	-		
	2.2-2.8	AWG16-14, 1.25-2.20SQmm	2L	2316815-4	2316817-4		
	1.8-2.8	AWG20-16, 0.50-1.25SQmm	L	2316815-3	2316817-3	DESCRIPTION 端子类型描述	MATING CYCLES 插拔次数
	1.2-2.6	AWG24-20, 0.20-0.50SQmm	M	2316815-2	2316817-2		
	0.8-1.4	AWG28-24, 0.08-0.20SQmm	S	2316815-1	2316817-1		
HYBRID TYPE 混合类型	INSULATION RANGE (mm) 电缆绝缘外径范围 (mm)	WIRE RANGE 线规	SIZE 大小	REEL 卷	L/P 散件	PART NUMBER	

T2120865101-000	HK-HDW3/1/1-23/16/47-M	HK-HDW3/1/1-23/16/47 MALE INSERT HK-HDW3/1/1-23/16/47公插
-----------------	------------------------	--

PART NUMBER 料号	T2120865101-000	PART DESCRIPTION 描述
-------------------	-----------------	------------------------

THIS DRAWING IS A CONTROLLED DOCUMENT.		DWN DAVID WANG 10OCT2019	TE Connectivity	
DIMENSIONS: mm		CHK GINO YAO 10OCT2019		
		APVD CHRIS WANG 10OCT2019	NAME HK-HDW3/1/1-23/16/47-M	
		PRODUCT SPEC 108-137458		
MATERIAL - FINISH -		APPLICATION SPEC 114-137458		SIZE A2
		WEIGHT -		CAGE CODE 00779
CUSTOMER DRAWING		DRAWING NO. T2120865101000		RESTRICTED TO C
SCALE 3:2		SHEET 1 OF 1		REV C